

Distributed by:

JAMECO[®]
ELECTRONICS

www.Jameco.com ♦ 1-800-831-4242

The content and copyrights of the attached
material are the property of its owner.

Jameco Part Number 939165

4

3

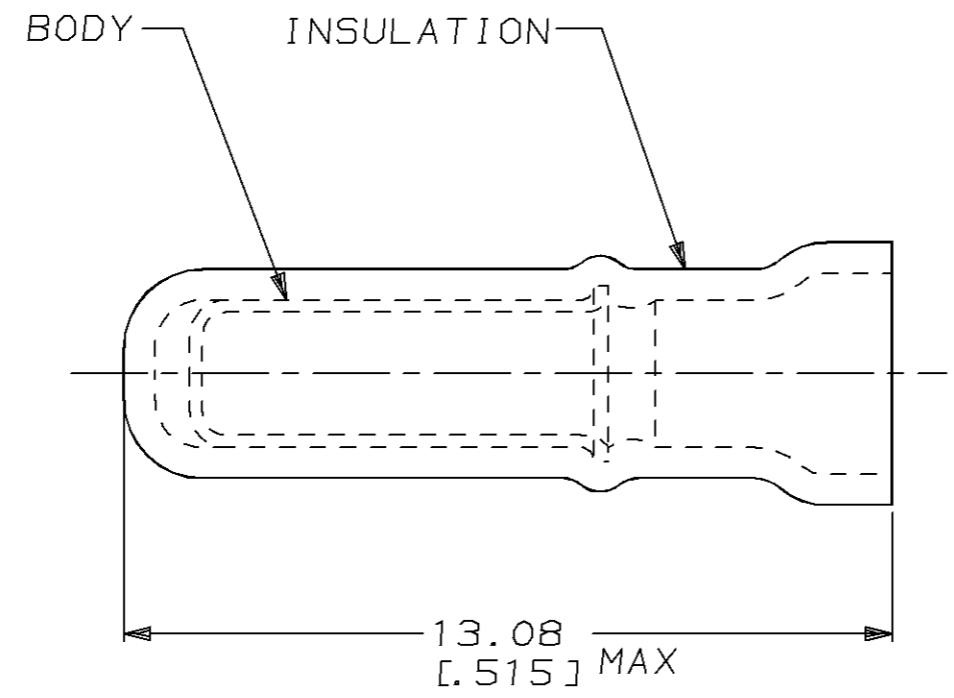
2

1

THIS DRAWING IS UNPUBLISHED. RELEASED FOR PUBLICATION, 19 .

© COPYRIGHT 19 BY AMP INCORPORATED. ALL RIGHTS RESERVED.

LOC		DIST		REVISIONS			
P	LTR	DESCRIPTION	DATE	DWN	APVD		
G	14	N	REV / REDRAWN / 0720-0482-95 & 0720-0002-95	14FEB95	LO ME		



1. USE FOR AN UNSTRIPPED (SINGLE) WIRE END ONLY
2. WIRE INSUL DIA, 1.22-1.91 [.048-.075]

QTY	PACKAGE TYPE	PART NO
100	LOOSE PIECE, BOX	8-324484-1
1000	LOOSE PIECE	324484

AMP INCORPORATED
CUSTOMER SERVICE SYSTEM

FOR ADDITIONAL PRODUCT INFORMATION OR COPIES OF DRAWINGS AND TECHNICAL DOCUMENTS: PRODUCT INFORMATION CENTER 1-800-522-6752

FOR APPLICATION TOOLING INFORMATION: TOOLING ASSISTANCE CENTER 1-800-722-1111

FOR ORDER ENTRY: 1-800-526-5142

MAX RECOMMENDED OPERATING TEMPERATURE:
105°C [221°F]

VOLTAGE RATING:
-

CIRCULAR MIL AREA:
-

THIS DRAWING IS A CONTROLLED DOCUMENT FOR AMP INCORPORATED. IT IS SUBJECT TO CHANGE AND THE CONTROLLING ENGINEERING ORGANIZATION SHOULD BE CONTACTED FOR THE LATEST REVISION.

DIMENSIONS: mm [in]

TOLERANCES UNLESS OTHERWISE SPECIFIED:

0 PLC	±-
1 PLC	±-
2 PLC	±0.20 [.008]
3 PLC	±-
4 PLC	±-
ANGLES	±-

MATERIAL: BODY, CU PER ASTM B152; INSUL., NYLON, COLOR, TRANSPARENT

FINISH: BODY, TIN PLATE PER MIL-T-10727

DWN	L OLMEDA	14FEB95	AMP AMP Incorporated Harrisburg, PA 17105-3608
CHK	M ELLIS	14FEB95	
APVD	T MICHIELUTTI	14FEB95	
NAME	T MICHIELUTTI		
PRODUCT SPEC	SPARE WIRE CAP, TRANSPARENT		
APPLICATION SPEC	-		
WEIGHT	-	SIZE	A3
CUSTOMER DRAWING	CAGE CODE	00779	DRAWING NO
	SCALE	8:1	C-324484
	SHEET	1 OF 1	REV N