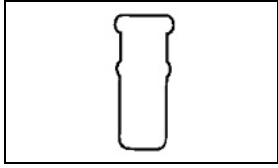


324486 Product Details



324486

TE Internal Number: 324486



Splices - Closed Barrel

 Always EU RoHS/ELV Compliant (Statement of Compliance)

Product Highlights:

- Accessory
- Accessory Type = Wire Caps for Unstripped Wire
- Not Sealed
- Body Style = PIDG
- Insulated

Documentation & Additional Information

Product Drawings:

- [SPARE WIRE CAP,BLUE](#) (PDF, English)

Catalog Pages/Data Sheets:

- None Available

Product Specifications:

- None Available

Application Specifications:

- [Pre-Insulated Diamond Grip \(PIDG\) Terminals, Splices...](#) (PDF, English)

Instruction Sheets:

- None Available

CAD Files: (CAD Format & Compression Information)

- [2D Drawing](#) (DXF, Version N)
- [3D Model](#) (IGES, Version N)
- [3D Model](#) (STEP, Version N)

Related Products:

- [Tooling](#)

Product Features (Please use the Product Drawing for all design activity)

Product Type Features:

- Product Type = Accessory
- Sealed = No
- Accessory Type = Wire Caps for Unstripped Wire
- Insulation = Yes
- Insulation Support = Insulation Support
- Finish = Tin
- Color = Blue

Dimensions:

- Insulation Diameter (mm [in]) = 3.05-3.68 [.120-.145]

Body Features:

- Body Style = PIDG
- Material = Copper

Industry Standards:

- Government/Industry Qualification = No
- RoHS/ELV Compliance = RoHS compliant, ELV compliant
- Lead Free Solder Processes = Not relevant for lead free process
- RoHS/ELV Compliance History = Always was RoHS compliant

Packaging Features:

- Packaging Method = Loose Piece

Other:

- Brand = AMP

4

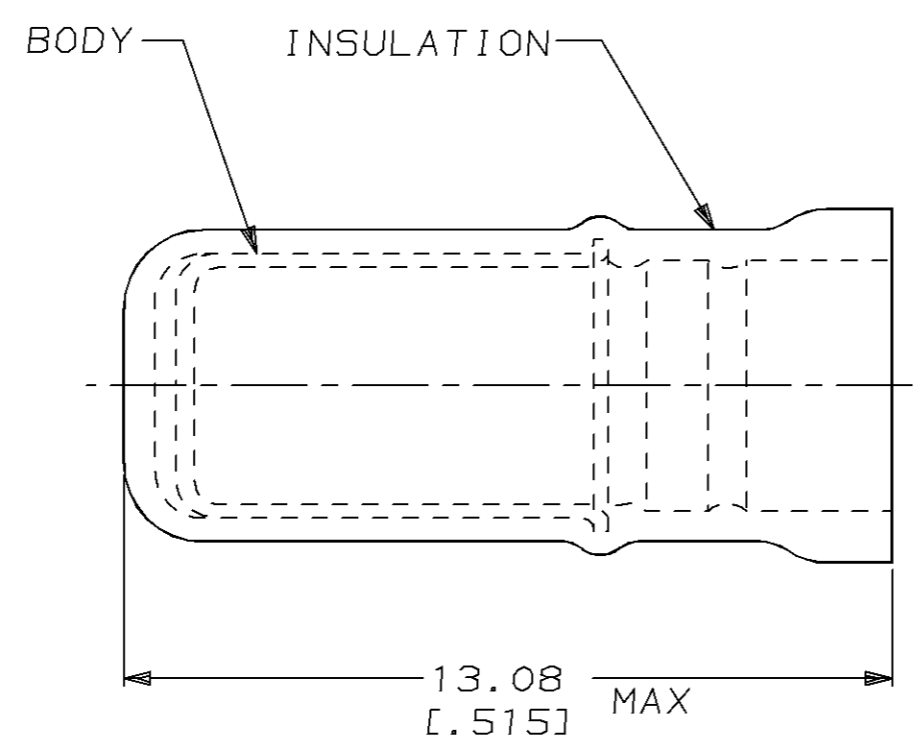
3

2

1

THIS DRAWING IS UNPUBLISHED. RELEASED FOR PUBLICATION ,19 .
 © COPYRIGHT 19 BY AMP INCORPORATED. ALL RIGHTS RESERVED.

LOC	DIST	REVISIONS			
P	LTR	DESCRIPTION	DATE	DWN	APVD
G	14				
	N	REV / REDRAWN / 0720-0482-95 & 0720-0002-95	14FEB95	LO	ME



1. USE FOR AN UNSTRIPPED (SINGLE) WIRE END ONLY
2. WIRE INSUL DIA, 3.05-3.68 [.120-.145]

-	-	-
-	-	-
1000	LOOSE PIECE	324486
QTY	PACKAGE TYPE	PART NO

AMP INCORPORATED CUSTOMER SERVICE SYSTEM		MAX RECOMMENDED OPERATING TEMPERATURE: 105°C [221°F]	THIS DRAWING IS A CONTROLLED DOCUMENT FOR AMP INCORPORATED. IT IS SUBJECT TO CHANGE AND THE CONTROLLING ENGINEERING ORGANIZATION SHOULD BE CONTACTED FOR THE LATEST REVISION.		DWN L OLMEDA 14FEB95	AMP Incorporated Harrisburg, PA 17105-3608
FOR ADDITIONAL PRODUCT INFORMATION OR COPIES OF DRAWINGS AND TECHNICAL DOCUMENTS	PRODUCT INFORMATION CENTER 1-800-522-6752		DIMENSIONS: mm [in]	TOLERANCES UNLESS OTHERWISE SPECIFIED:	CHK M ELLIS 14FEB95	
FOR APPLICATION TOOLING INFORMATION	TOOLING ASSISTANCE CENTER 1-800-722-1111	VOLTAGE RATING: -	0 PLC ±- 1 PLC ±- 2 PLC ±0.20 [.008] 3 PLC ±- 4 PLC ±- ANGLES ±-	FINISH BODY, TIN PLATE PER MIL-T-10727	PRODUCT SPEC -	SIZE A3
FOR ORDER ENTRY	1-800-526-5142	CIRCULAR MIL AREA: -	MATERIAL BODY, CU PER ASTM B152 INSUL, NYLON, COLOR, BLUE	WEIGHT -	APPLICATION SPEC -	CAGE CODE 00779
			CUSTOMER DRAWING		DRAWING NO C-324486	SCALE 8:1
					SHEET 1 OF 1	REV N