

Distributed by:

JAMECO[®]
ELECTRONICS

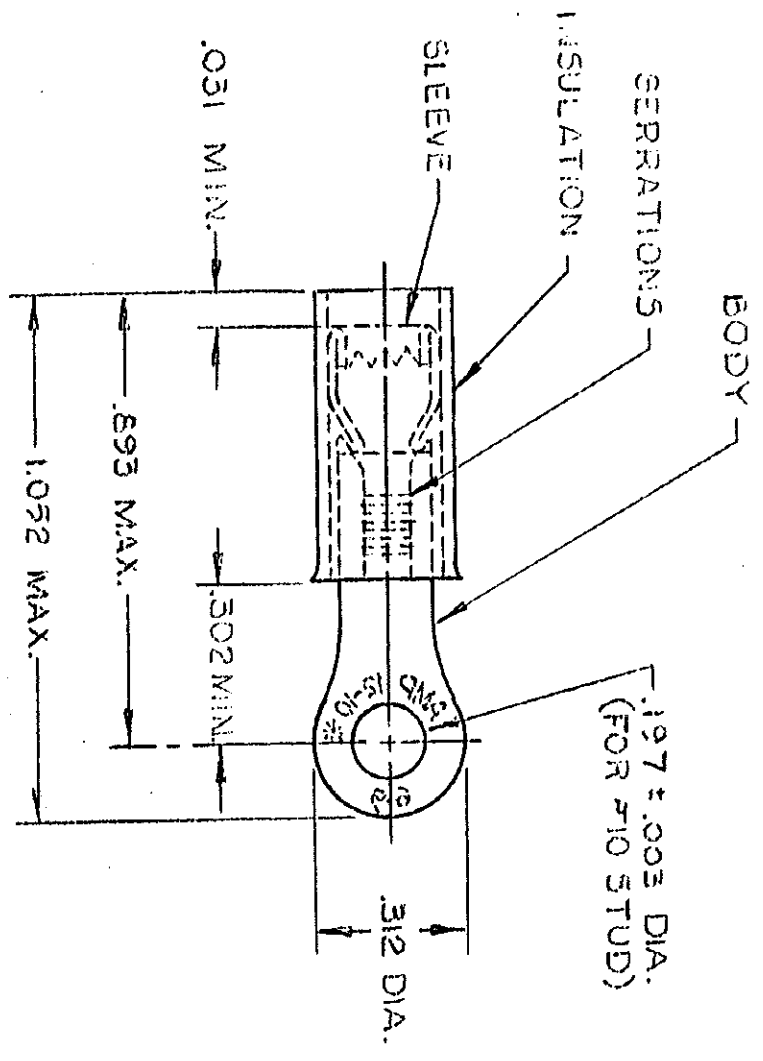
www.Jameco.com ♦ 1-800-831-4242

The content and copyrights of the attached
material are the property of its owner.

Jameco Part Number 843091

THIS DRAWING IS UNPUBLISHED. RELEASED FOR PUBLICATION

© COPYRIGHT 19 BY AMP INCORPORATED, HARRISBURG, PA. ALL INTERNATIONAL RIGHTS RESERVED. AMP PRODUCTS MAY BE COVERED BY U.S. AND FOREIGN PATENTS AND/OR PATENTS PENDING.



- 1 WIRE INSULATION DIA. = .150 - .230
- 2 TONGUE MATERIAL THK = .040 ± .002
- 3 BODY FINISH = TIN PLATE (MIL-T-10727).000100 MIN THK.

REVISIONS						
P	F	ZONE	LTR	DESCRIPTION	DATE	APPROVED
			D	REDRAWN - REVISED PER G-1479,	2-3-90	Pjm
			E	G-1175 # P85-0133	3/24/88	mm
			F	OBsolete 2-11 PER G-2393	1/24/88	Pjm
			G	REV PER G-4732	4-12-92	rd/mc
				REV/0720-0066-93		

OBsolete

QUANTITY	DESCRIPTION	PART NO
50	LOOSE PC, BOX	8-324918-2
2500	ON TAPE REEL	1-324918-0
—	LOOSE PIECE	324918

UNLESS OTHERWISE SPECIFIED DIMENSIONS ARE IN INCHES. TOLERANCES ON: DECIMALS ± .005 ANGLES ±		CONTRACT NO		NAME	
MATERIAL INSULATION: NYLON - YELLOW BODY & SLEEVE: COPPER (QQ-C-576)		DR UTA /RFS 10-3-85		AMP AMP INCORPORATED Harrisburg, Pa.	
FINISH BODY- 3		CHK P. H. W. HARRISBURG 2-13-86		TERMINAL, P.I.D.G., RING TONGUE WIRE SIZE: 12-10	
OTHER APPD		APPD. 1/23/88 - 1/23/88 2-13-86		SIZE B	
		DSGN APPD		FSCM NO 00779	
		OTHER APPD		DRAWING NO 324918	
				SCALE NTS	
				SHEET 1 OF 1	