

Distributed by:

**JAMECO**<sup>®</sup>  
ELECTRONICS

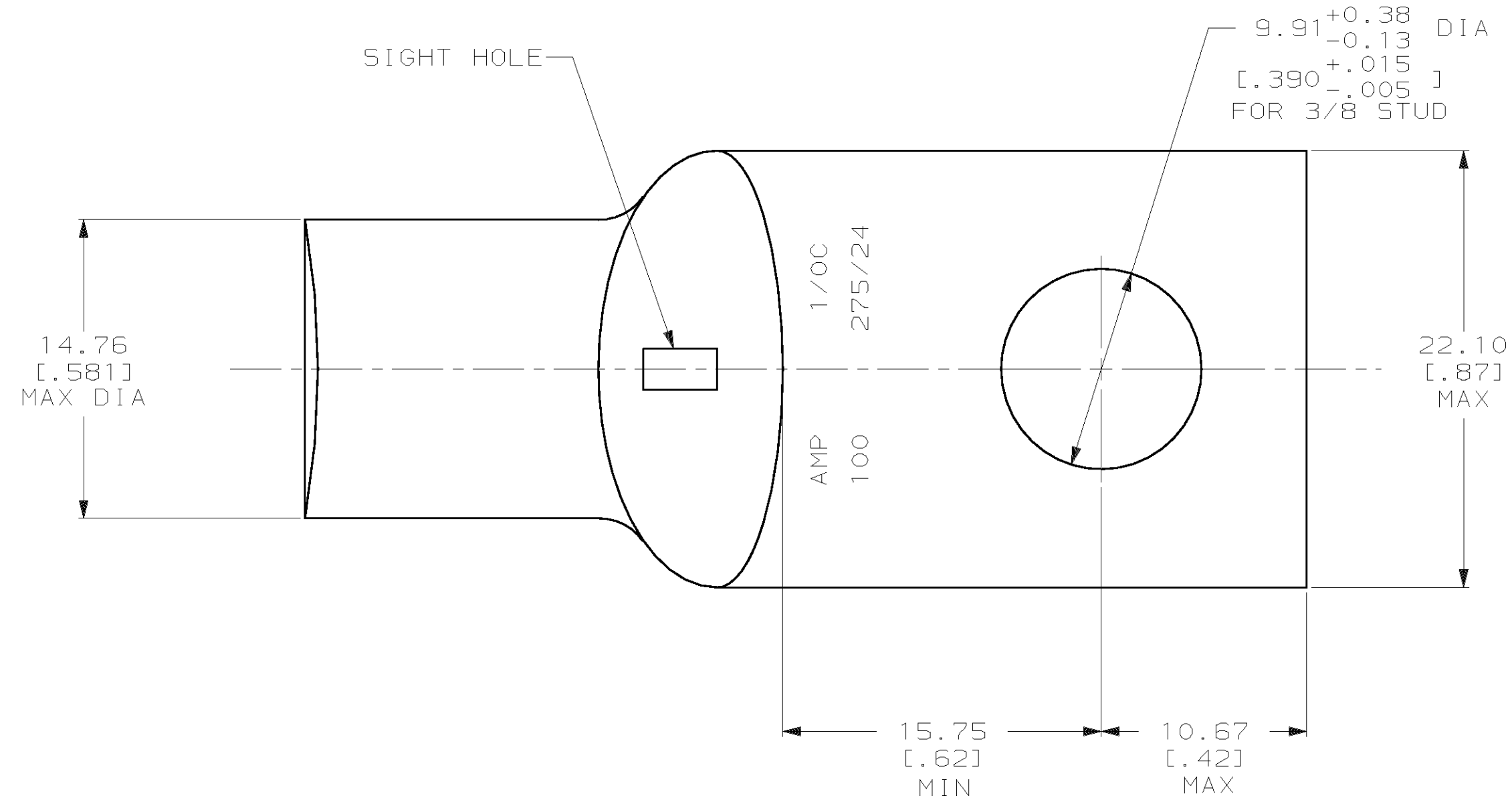
**www.Jameco.com ♦ 1-800-831-4242**

The content and copyrights of the attached  
material are the property of its owner.

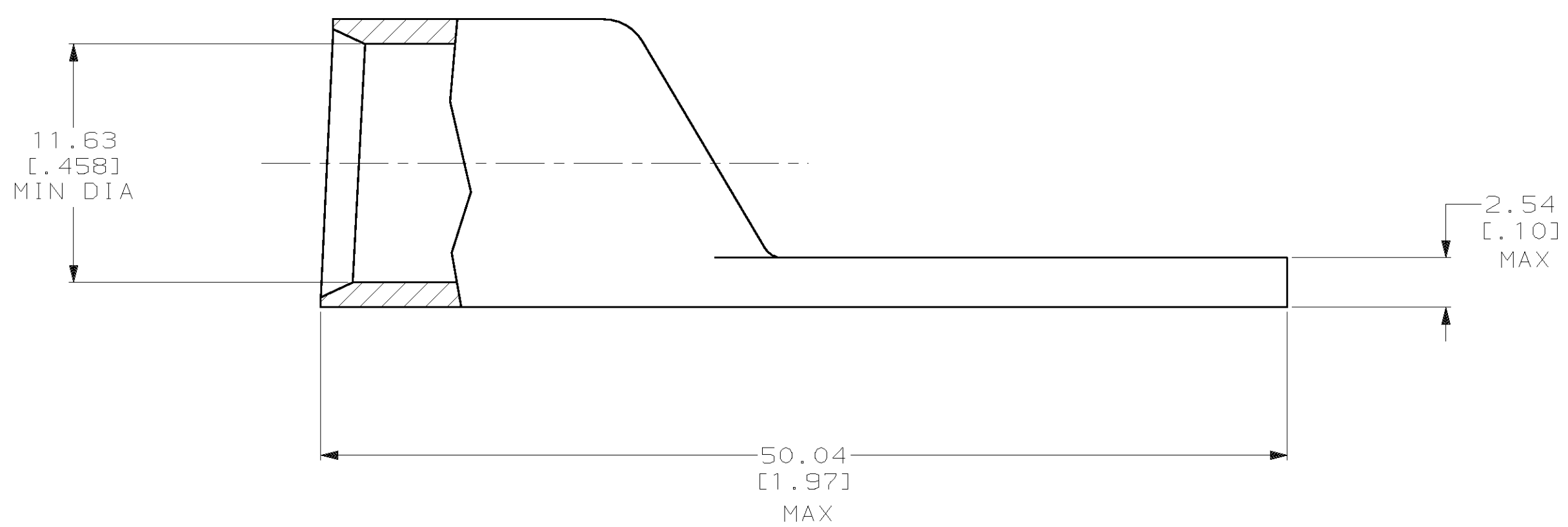
Jameco Part Number 939413

THIS DRAWING IS UNPUBLISHED. RELEASED FOR PUBLICATION, 19 .  
 © COPYRIGHT 19 BY AMP INCORPORATED. ALL INTERNATIONAL RIGHTS RESERVED.

LOC		DIST		P		F		ZONE		LTR		REVISIONS		DATE	APPD
G		86								Y		REV PER 0G3A-0561-01		070CT02	JR/MS



1 CIRCULAR MIL RANGE: 83,700-119,500 CM  
 2 TIN PL 0.00381 [.000150] MIN THK PER MIL-T-10727



325303

325303  
 PART NO

DO NOT SCALE PRINT. UNLESS SPECIFIED DIMENSIONS IN mm [INCHES] TOLERANCES ON : 2 PLC DEC ± 0.51 [.020] 3 PLC DEC ± - ANGLES ± -		DR 02/28/90 DK SCHRUM		AMP INCORPORATED Harrisburg, Pa. 17105	
MATERIAL  ANNEALED COPPER ASTM B-75		CHK 31AUG94 AJ KAUFMAN			
FINISH  △		APPD 31AUG94 WJ VOCKROTH		NAME  TERMINAL, AMPPOWER WIRE SIZE: 1/0 AWG	
APPLICATION SPEC  -		APPD 31AUG94 TL SHUTTER		DRAWING NO  325303	
WEIGHT .041 LB		SCALE 4:1		SHEET 1 OF 1	

