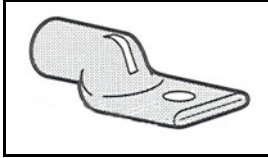


325603 Product Details

[Share](#) [Print](#) [Email](#)



325603

TE Internal Number: 325603

Active

AMPOWER Terminals

Always EU RoHS/ELV Compliant (Statement of Compliance)

Product Highlights:

- Product Classification = Connectors - Terminals and Splices
 - Power Generation and Distribution Application
 - Wire Size (AWG/CM) = 4/0 AWG [100-125²]
 - Wire/Cable Size = 190,000 - 231,000 CMA
 - Terminal Configuration = Standard
- [View all Features](#)

Quick Links

- ▶ [Pricing & Availability](#)
- ▶ [Search for Tooling](#)
- ▶ [Product Feature Selector](#)
- ▶ [Contact Us About This Product](#)

[Add to My Part List](#)

[Request Sample](#)

[Find Similar Products](#)

[Buy Product](#)

Documentation & Additional Information

Product Drawings:

- [TERMINAL, AMPOWER, WIRE SIZE: 4/0 AWG](#) (PDF, English)

Catalog Pages/Data Sheets:

- None Available

Product Specifications:

- [AMPOWER* Terminals & Splices, Small](#) (PDF, English)

Application Specifications:

- None Available

Instruction Sheets:

- None Available

CAD Files:

- None Available

[List all Documents](#)

Related Products:

- [Tooling](#)

Product Features (Please use the Product Drawing for all design activity)

Product Type Features:

- Product Classification = Connectors - Terminals and Splices
- Terminal Configuration = Standard
- Stud Size = 3/8 [9.53]
- Finish = Tin

Termination Features:

- [Wire/Cable Size \(CMA\)](#) = 190,000 - 231,000

Dimensions:

- Stud Diameter (mm [in]) = 9.53 [0.375]
- Stud Hole Diameter (mm [in]) = 9.91 [0.390]
- Barrel I.D. Min. (mm [in]) = 16.46 [0.648]
- Tongue Material Thickness (mm [in]) = 3.30 [0.130]

Body Features:

Configuration Features:

- [Number of Holes](#) = 1

Industry Standards:

- [RoHS/ELV Compliance](#) = RoHS compliant, ELV compliant
- [Lead Free Solder Processes](#) = Not relevant for lead free process
- [RoHS/ELV Compliance History](#) = Always was RoHS compliant

Operation/Application:

- Application = Power Generation and Distribution

Packaging Features:

- Packaging Quantity = 50

Other:

- [Wire Size \(AWG/CM\)](#) = 4/0 AWG [100-125²]
- [Barrel Length](#) = Standard
- [Material](#) = Copper (Annealed) per ASTM B-75
- [Inspection Slot](#) = With
- [Body Style](#) = Straight

- [Brand](#) = AMP
- [Comment](#) = Electrodeposited Tin Plate per MIL-T-10727.

Corporate Information

- [About TE](#)
- [Investors](#)
- [News Room](#)
- [Supplier Portal](#)
- [Careers](#)
- [Terms & Conditions](#)
- [Privacy Policy](#)

Quick Links

- [Distributor Inventory](#)
- [Product Cross Reference](#)
- [Documents & Drawings](#)
- [Product Compliance Support Center](#)
- [Site Map](#)

Customer Support

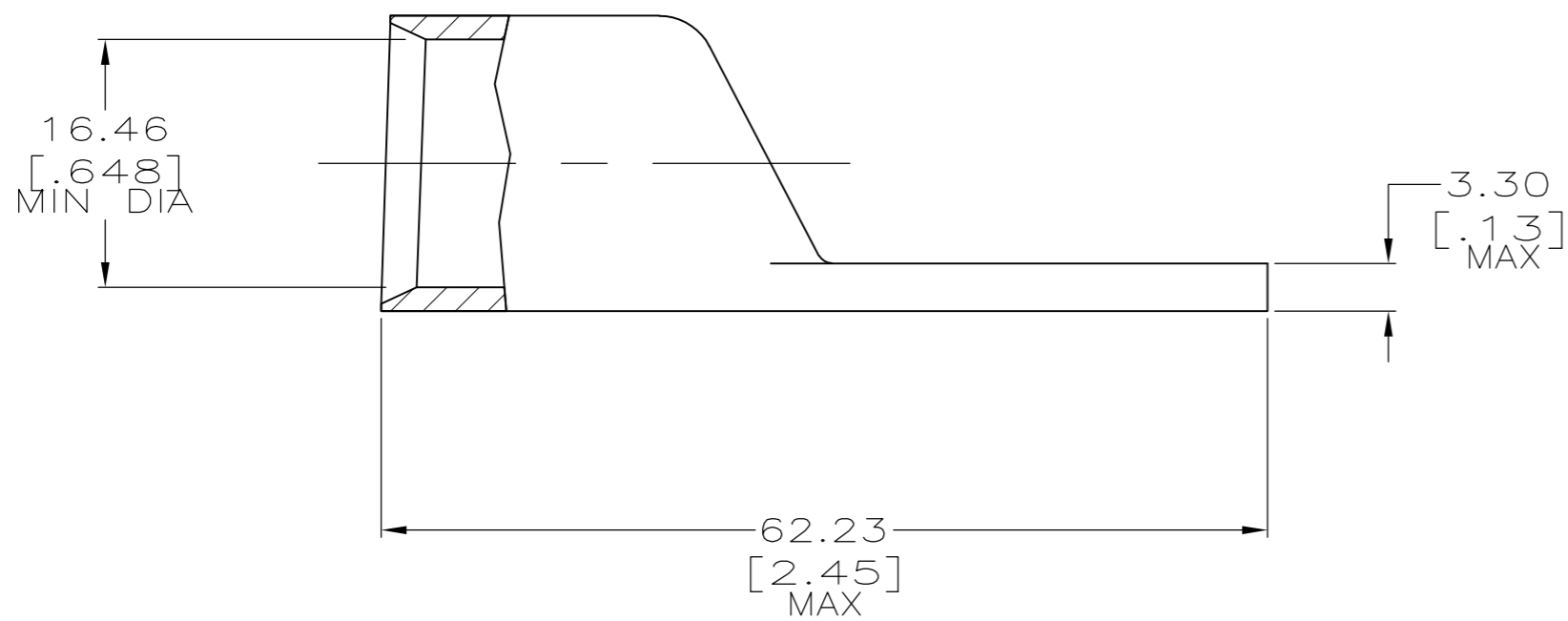
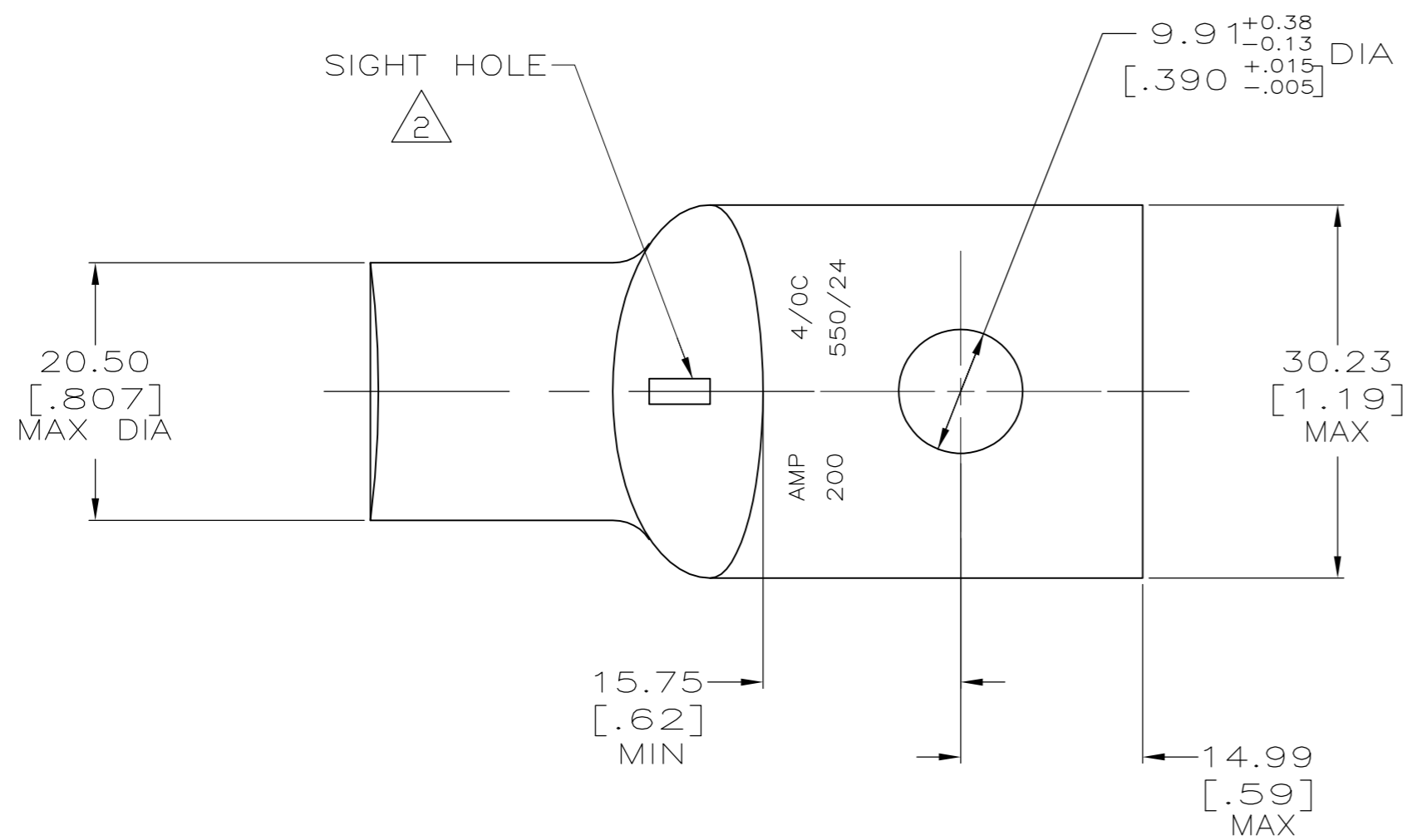
- [Email or Chat With Us](#)
- [Find a Phone Number](#)
- [Knowledge Base](#)
- [Manage Your Account](#)

Keep Me Informed



THIS DRAWING IS UNPUBLISHED. RELEASED FOR PUBLICATION
 © COPYRIGHT BY TYCO ELECTRONICS CORPORATION. ALL INTERNATIONAL RIGHTS RESERVED.

LOC	DIST	REVISIONS			
P	LTR	DESCRIPTION	DATE	DWN	APVD
G	86	P1	REV PER ECR 10-017024	09NOV10	JR RL



- 1 CIRCULAR MIL RANGE: 190,000-231,000 CM
- 2 SIGHT HOLE LOCATION IF REQUIRED, REFER TO TABLE.
- 3 COPPER PER ASTM B-75, ANNEALED
- 4 TIN PLATE 0.00381 [.000150] MIN PER ASTM B-545.

NONE	325603-2
REQD	325603
2 SIGHT HOLE	PART NO.

THIS DRAWING IS A CONTROLLED DOCUMENT.		DWN DK SCHRUM 02/28/90	Tyco Electronics Corporation Harrisburg, PA 17105-3608	
DIMENSIONS: MM [INCHES]		CHK AJ KAUFMAN 8/10/92	NAME	
TOLERANCES UNLESS OTHERWISE SPECIFIED:		APVD	PRODUCT SPEC	
0 PLC ± -	1 PLC ± -	APPLICATION SPEC	TERMINAL, AMPPOWER, WIRE SIZE: 4/0 AWG	
2 PLC ± -	3 PLC ± -	WEIGHT .102 LBS	SIZE A2	CAGE CODE 00779
4 PLC ± -	ANGLES ± -	CUSTOMER DRAWING	DRAWING NO C-325603	RESTRICTED TO
MATERIAL 3	FINISH 4	SCALE 2:1	SHEET 1 of 1	REV P1