

Distributed by:

JAMECO[®]
ELECTRONICS

www.Jameco.com ♦ 1-800-831-4242

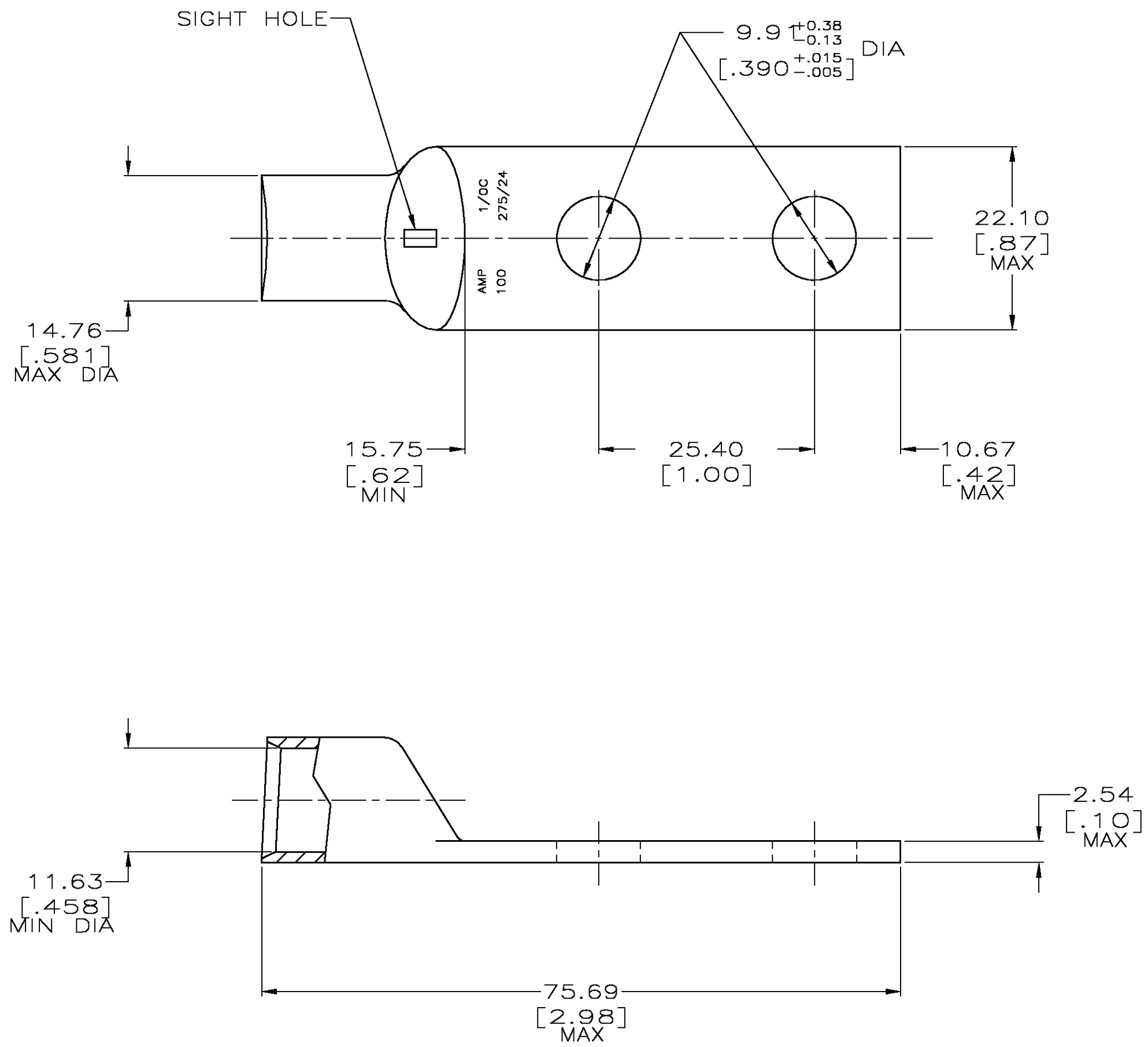
The content and copyrights of the attached
material are the property of its owner.

Jameco Part Number 939579

DRAWING MADE IN THIRD ANGLE PROJECTION

THIS DRAWING IS UNPUBLISHED. RELEASED FOR PUBLICATION .19
 © COPYRIGHT 19 BY AMP INCORPORATED. ALL INTERNATIONAL RIGHTS RESERVED.

LOC	DIST	P	F	ZONE	LTR	DESCRIPTION	DATE	APPD
G	86				W	REV PER 0G3A-0786-03	08DEC03	MS



- 1 CIRCULAR MIL RANGE: 83,700-119,500 CM
- 2 TIN PL 0.00381[.000150] MIN THK PER ASTM B-545
- 3 CLEANED, UN-PLATED

3	326800-8
2	326800
FINISH	PART NO

DO NOT SCALE PRINT. UNLESS SPECIFIED DIMENSIONS IN mm [INCHES] TOLERANCES ON : 2 PLC DEC ± 0.51[.020] 3 PLC DEC ± - ANGLES ± -		DR 02/28/90 DK SCHRUM		AMP INCORPORATED Harrisburg, Pa. 17105	
MATERIAL ANNEALED COPPER ASTM B-75		CHK 31AUG94 MS FEHER			
FINISH SEE TABLE		APPD 31AUG94 WJ VOCKROTH		NAME TERMINAL, AMPOWER, WIRE SIZE: 1/0 AWG	
		APPD 31AUG94 TL SHUTTER		SIZE C	
		PRODUCT SPEC -		CAGE CODE 00779	
		APPLICATION SPEC -		DRAWING NO 326800	
		WEIGHT .060 LB		SCALE 2:1	
				SHEET 10F 1	

METRIC