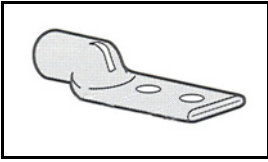


## 327289 Product Details

[Share](#) [Print](#) [Email](#)




**327289**

TE Internal Number: 327289

 **Active**

[View 3D PDF](#)

### AMPOWER Terminals

 Always EU RoHS/ELV Compliant  
(Statement of Compliance)

### Product Highlights:

- Product Classification = Connectors - Terminals and Splices
- Power Generation and Distribution Application
- Wire Size (AWG/CM) = 500,000 CM
- Wire/Cable Size = 450,000 - 550,000 CMA
- Terminal Configuration = Standard

[View all Features](#)

### Quick Links

- ▶ [Pricing & Availability](#)
- ▶ [Search for Tooling](#)
- ▶ [Product Feature Selector](#)
- ▶ [Contact Us About This Product](#)

[Add to My Part List](#)

[Request Sample](#)

[Find Similar Products](#)

[Buy Product](#)

### Documentation & Additional Information

#### Product Drawings:

- [TERMINAL, AMPOWER, WIRE SIZE: 500 MCM](#) (PDF, English)

#### Catalog Pages/Data Sheets:

- None Available

#### Product Specifications:

- None Available

#### Application Specifications:

- None Available

#### Instruction Sheets:

- None Available

#### CAD Files: (CAD Format & Compression Information)

- [2D Drawing](#) (DXF, Version P)
- [3D Model](#) (IGES, Version P)
- [3D Model](#) (STEP, Version P)

[List all Documents](#)

#### Related Products:

- [Tooling](#)

### Product Features (Please use the Product Drawing for all design activity)

#### Product Type Features:

- Product Classification = Connectors - Terminals and Splices
- Terminal Configuration = Standard
- Stud Size = 1/2 [M12]
- Finish = Tin

#### Termination Features:

- [Wire/Cable Size \(CMA\)](#) = 450,000 - 550,000

#### Dimensions:

- [Stud Diameter \(mm \[in\]\)](#) = 12.70 [0.500]
- [Stud Hole Diameter \(mm \[in\]\)](#) = 14.27 [0.562]
- [Barrel I.D. Min. \(mm \[in\]\)](#) = 24.92 [0.981]
- [Tongue Material Thickness \(mm \[in\]\)](#) = 5.08 [0.200]

#### Configuration Features:

- [Number of Holes](#) = 2

#### Industry Standards:

- [RoHS/ELV Compliance](#) = RoHS compliant, ELV compliant
- [Lead Free Solder Processes](#) = Not relevant for lead free process
- [RoHS/ELV Compliance History](#) = Always was RoHS compliant

#### Operation/Application:

- Application = Power Generation and Distribution

#### Packaging Features:

- Packaging Quantity = 25

**Body Features:**

- [Wire Size \(AWG/CM\)](#) = 500,000 CM
- [Barrel Length](#) = Standard
- [Material](#) = Copper (Annealed) per ASTM B-75
- [Inspection Slot](#) = With
- [Body Style](#) = Straight

**Other:**

- [Brand](#) = AMP
- [Comment](#) = Electrodeposited Tin Plate per MIL-T-10727.

**Corporate Information**

[About TE](#)  
[Investors](#)  
[News Room](#)  
[Supplier Portal](#)  
[Careers](#)  
[Terms & Conditions](#)  
[Privacy Policy](#)

**Quick Links**

[Distributor Inventory](#)  
[Product Cross Reference](#)  
[Documents & Drawings](#)  
[Product Compliance Support Center](#)  
[Site Map](#)

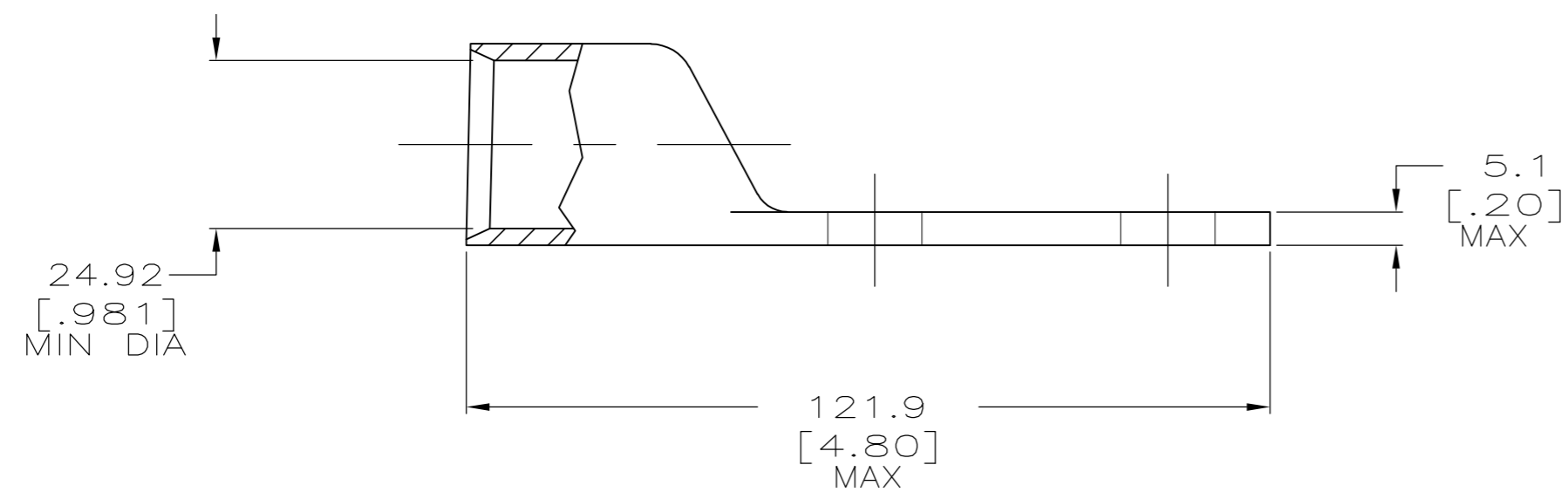
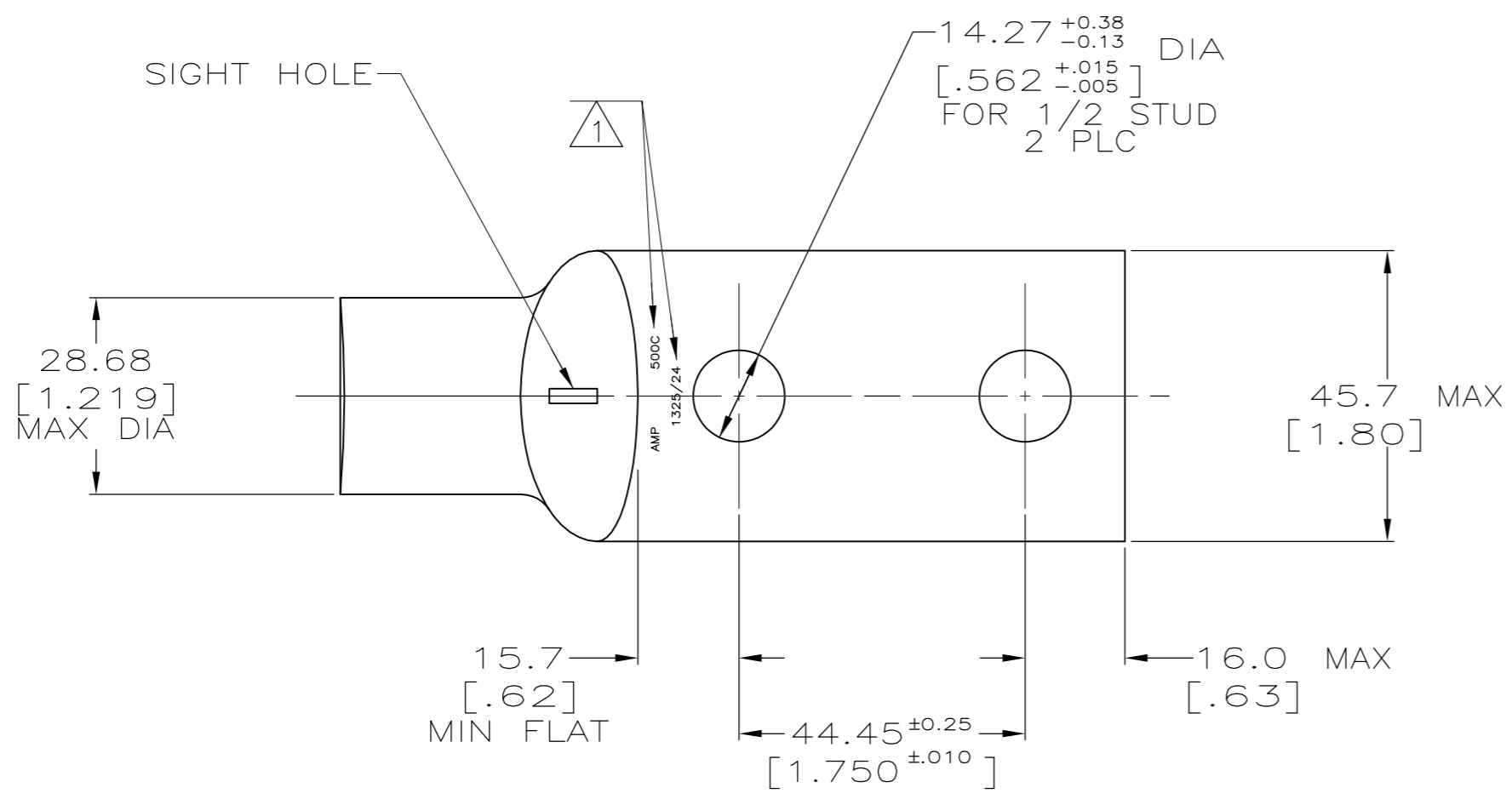
**Customer Support**

[Email or Chat With Us](#)  
[Find a Phone Number](#)  
[Knowledge Base](#)  
[Manage Your Account](#)

**Keep Me Informed**

THIS DRAWING IS UNPUBLISHED. RELEASED FOR PUBLICATION  
 © COPYRIGHT BY TYCO ELECTRONICS CORPORATION. ALL INTERNATIONAL RIGHTS RESERVED.

LOC	DIST	REVISIONS					
		P	LTR	DESCRIPTION	DATE	DWN	APVD
G	86		B1	REV PER ECR 08-023271	15SEPT08	JR	CK



-	327289-4
0.00254 [.000100] MIN TIN	327289
FINISH	PART NO.

MAX RECOMMENDED OPERATING TEMPERATURE: 170°C MAX	THIS DRAWING IS A CONTROLLED DOCUMENT.	DWN DK SCHRUM 6/24/93	Tyco Electronics Corporation Harrisburg, PA 17105-3608
VOLTAGE RATING: N/A	DIMENSIONS: MM [ INCHES ]	CHK AJ KAUFMAN 6/24/93	
CIRCULAR MIL AREA: 228.02-278.69mm <sup>2</sup> [450-550] MCM STRANDED	TOLERANCES UNLESS OTHERWISE SPECIFIED: 0 PLC ± - 1 PLC ± - 2 PLC ± - 3 PLC ± - 4 PLC ± - ANGLES ± -	APVD J MECKLEY 6/24/93	NAME TERMINAL, AMPPOWER, WIRE SIZE: 500 MCM
MATERIAL COPPER PER ASTM B-75 ANNEALED	FINISH SEE TABLE	PRODUCT SPEC APPLICATION SPEC	SIZE A2
		WEIGHT .461 LBS.	CAGE CODE 00779
		CUSTOMER DRAWING	DRAWING NO C=327289
		SCALE 1:1	RESTRICTED TO -
		SHEET 1 of 1	REV B1

327289