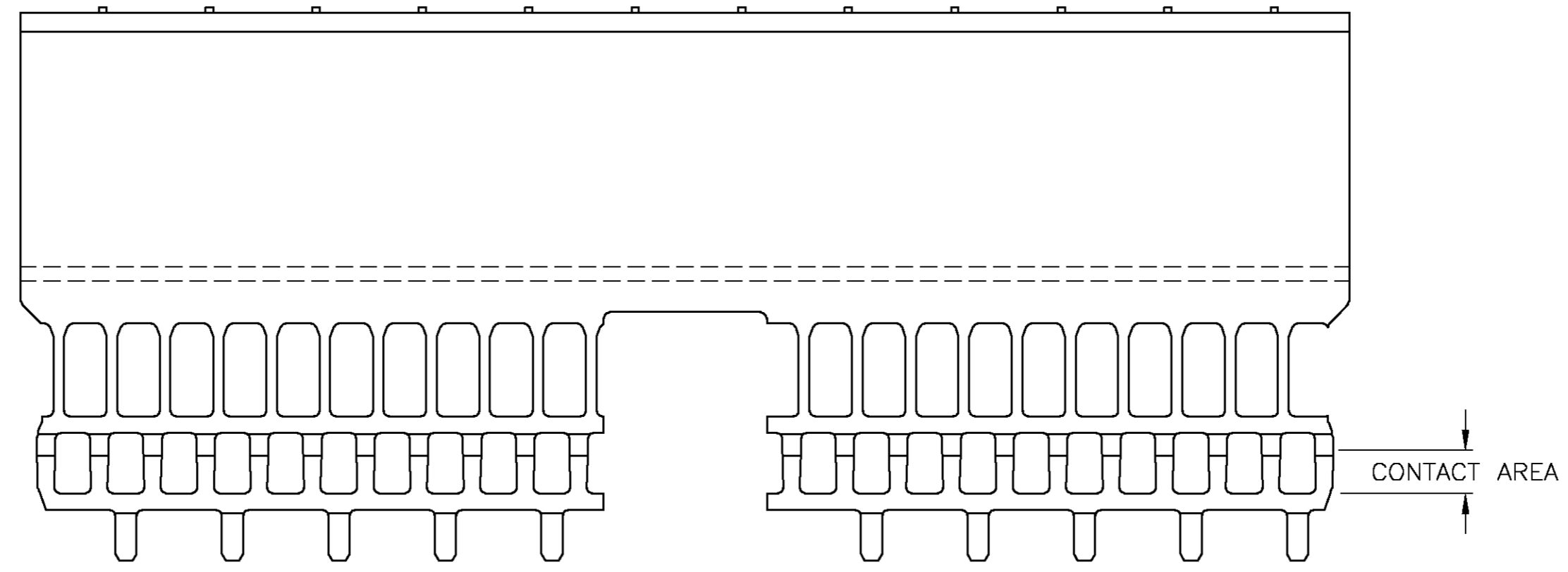
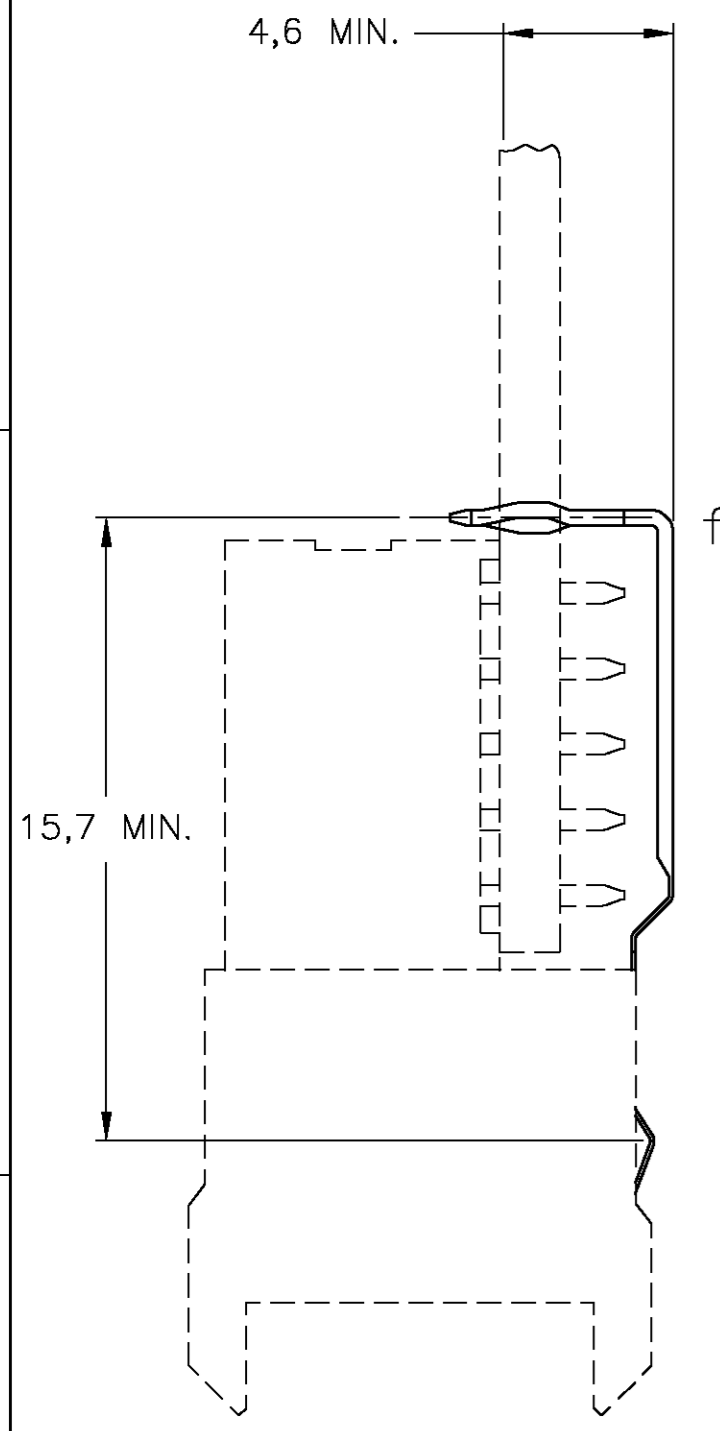
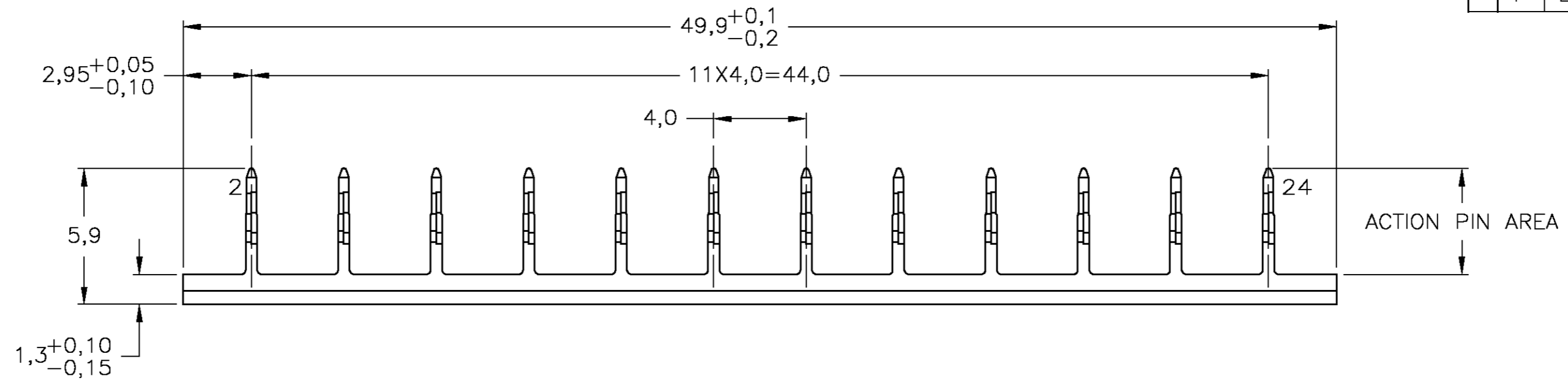


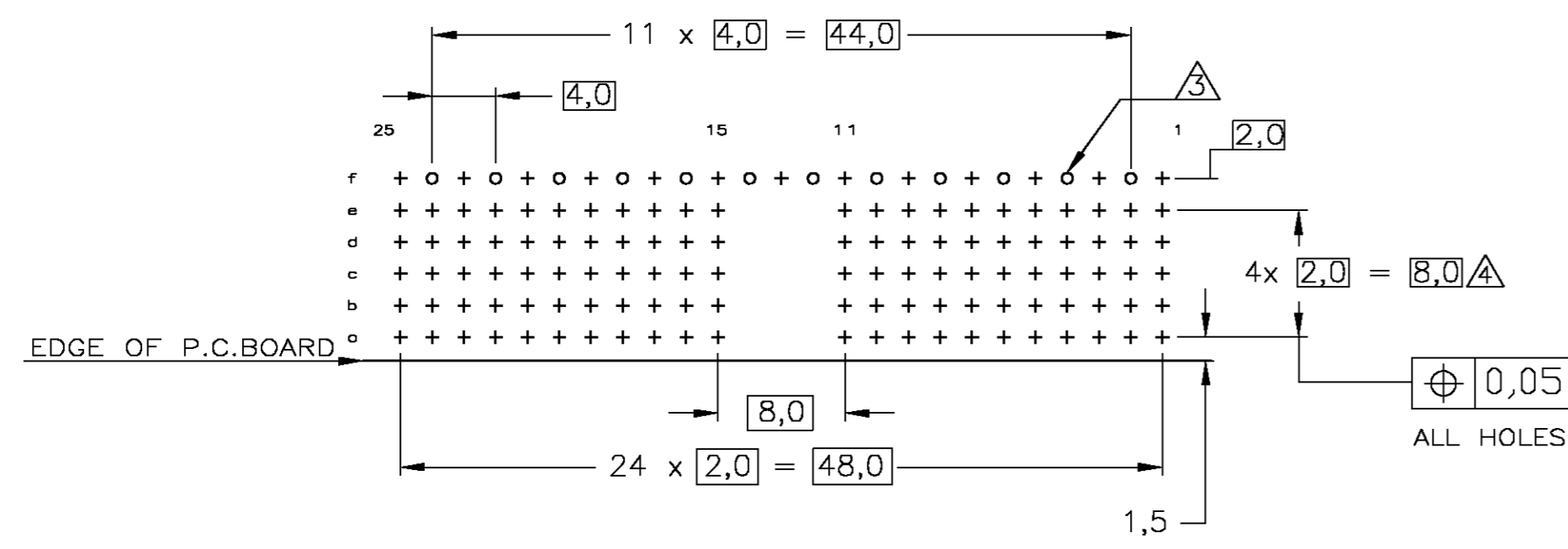
THIS DRAWING IS UNPUBLISHED. RELEASED FOR PUBLICATION  
 © COPYRIGHT BY TYCO ELECTRONICS CORPORATION. ALL RIGHTS RESERVED.

LOC	DIST	REVISIONS			
P	LTR	DESCRIPTION	DATE	DWN	APVD
H	-				
F		ECR-05-005975	30-JUN-05	BM	JB



**NOTES:**

- ⚠ PLATING:  
 CONTACT AREA: 0,76µm Au MIN. OVER 1,27µm Ni MIN.  
 ACTION PIN : 0,5µm SnPb MIN.  
 REMAINDER : Ni
  - ⚠ MATERIAL; PHOSPHORBRONZE.
  - ⚠ ROW "f" 12 PLATED THROUGH HOLES FOR LOWERSHIELD.
  - ⚠ HOLE PATTERN FOR FEMALE CONNECTOR TYPE A WITH  
 UPPERSHIELD, 110+13 PLATED-THROUGH HOLES AT 2x2mm SQUARE GRID.
  - 5 MAX. BOARD THICKNESS 3,5 mm.
  - ⚠ SHIELDS LUBRICATED WITH BELLCORE APPROVED LUBRICANT.
- TECHNICAL REF: TR-NWT-001217 ISSUE 1, SEPT. 1992.



COMPONENT SIDE AS SHOWN  
 RECOMMENDED PCB-HOLE LAY-OUT

P.C.B. HOLE DIM. ACTION PIN  
 FOR DETAILS SEE  
 APPLICATION SPECIFICATION

⚠ ⚠	⚠	338108-9
⚠	⚠	338108-2
FINISH	MATERIAL	PARTNUMBER

THIS DRAWING IS A CONTROLLED DOCUMENT.		DWN D. TRUREN 27-11-96	Tyco Electronics Corporation	
DIMENSIONS: mm		CHK W. v.d.HEIJDEN 27-11-96	's-Hertogenbosch, 5222AR-32	
TOLERANCES UNLESS OTHERWISE SPECIFIED:		APVD F. v.KONINGSBRUGGE	NAME	
0 PLC ± -		PRODUCT SPEC 108-19082	Z-PACK 2mm HM	
1 PLC ± -		APPLICATION SPEC 114-19029	GROUND RETURN LOWER SHIELD	
2 PLC ± -		WEIGHT	SIZE A2	CAGE CODE 00779
3 PLC ± -		FINISH	DRAWING NO C=338108	RESTRICTED TO
4 PLC ± -		MATERIAL	SCALE 5:1	SHEET 1 OF 1
ANGLES ± -		CUSTOMER DRAWING		REV F