



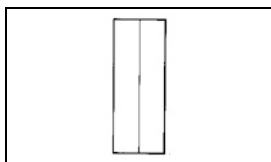
Have a Question?
 Chat with a Product
 Information Specialist

What can we help you find?

[Products](#) |
 [Industries](#) |
 [Resources](#) |
 [About TE](#) |
 [My Account](#) |
 [Innovation](#) |
 [Support Center](#)

34138 Product Details

[Share](#) |
 [Print](#) |
 [Email](#)



34138

TE Internal Number: 34138

Active

[View 3D PDF](#)

Splices - Closed Barrel

Always EU RoHS/ELV Compliant (Statement of Compliance)

Product Highlights:

- Splice
- Not Sealed
- Splice Type = Parallel
- Body Style = SOLISTRAND
- Uninsulated

[View all Features](#)

Quick Links

- ▶ [Pricing & Availability](#)
- ▶ [Search for Tooling](#)
- ▶ [Product Feature Selector](#)
- ▶ [Contact Us About This Product](#)

[Add to My Part List](#) |
 [Request Sample](#) |
 [Find Similar Products](#) |
 [Buy Product](#)

Documentation & Additional Information	
<p>Product Drawings:</p> <ul style="list-style-type: none"> • SPLICE, PARALLEL, SOLISTRAND (PDF, English) <p>Catalog Pages/Data Sheets:</p> <ul style="list-style-type: none"> • None Available <p>Product Specifications:</p> <ul style="list-style-type: none"> • None Available <p>Application Specifications:</p> <ul style="list-style-type: none"> • None Available <p>Instruction Sheets:</p> <ul style="list-style-type: none"> • None Available <p>CAD Files: (CAD Format & Compression Information)</p> <ul style="list-style-type: none"> • 2D Drawing (DXF, Version Y) • 3D Model (IGES, Version Y) • 3D Model (STEP, Version Y) 	<p>Related Products:</p> <ul style="list-style-type: none"> • Tooling

[List all Documents](#)

Product Features (Please use the Product Drawing for all design activity)	
<p>Product Type Features:</p> <ul style="list-style-type: none"> • Product Type = Splice • Sealed = No • Splice Type = Parallel • Insulation = No • Insulation Support = Non-Insulation Support • Finish = Tin • Color = None <p>Termination Features:</p> <ul style="list-style-type: none"> • Wire/Cable Size (CMA) = 5,180 - 13,100 <p>Dimensions:</p> <ul style="list-style-type: none"> • Inside Diameter (mm [in]) = 3.28 [0.129] <p>Body Features:</p> <ul style="list-style-type: none"> • Body Style = SOLISTRAND • Wire Range (mm [AWG]) = 3.00-6.00² [12-10] • Material = Copper • Stock Thickness (mm [in]) = 1.07 [0.042] • Nominal Outside Diameter (mm [in]) = 5.74 [0.226] 	<p>Industry Standards:</p> <ul style="list-style-type: none"> • Government/Industry Qualification = No • RoHS/ELV Compliance = RoHS compliant, ELV compliant • Lead Free Solder Processes = Not relevant for lead free process • RoHS/ELV Compliance History = Always was RoHS compliant <p>Packaging Features:</p> <ul style="list-style-type: none"> • Packaging Method = Loose Piece <p>Other:</p> <ul style="list-style-type: none"> • Brand = AMP

Corporate Information

- [About TE](#)
- [Investors](#)
- [News Room](#)

Quick Links

- [Distributor Inventory](#)
- [Product Cross Reference](#)
- [Documents & Drawings](#)

Customer Support

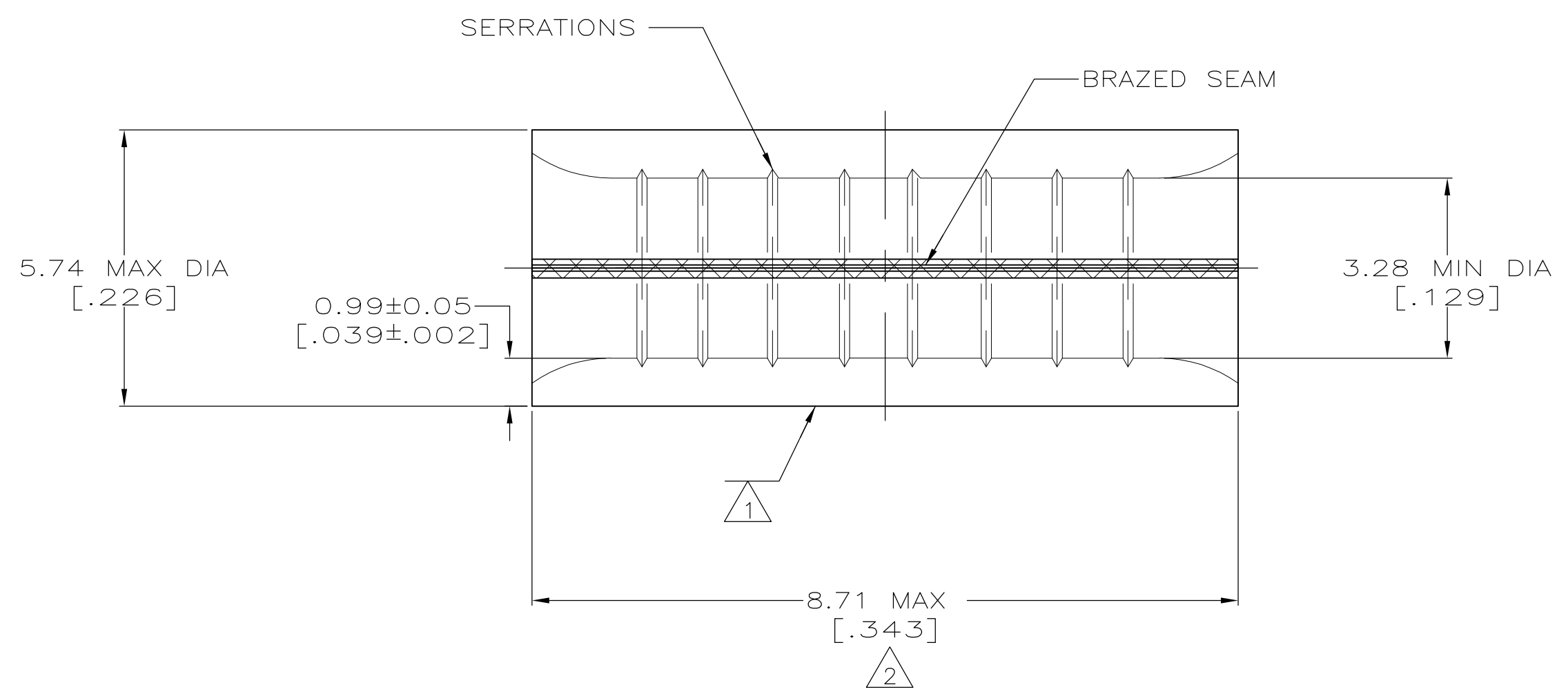
- [Email or Chat With Us](#)
- [Find a Phone Number](#)
- [Knowledge Base](#)

THIS DRAWING IS UNPUBLISHED. RELEASED FOR PUBLICATION
 © COPYRIGHT - By - ALL RIGHTS RESERVED.

LOC	DIST	REVISIONS			
P	LTR	DESCRIPTION	DATE	OWN	APVD
G	14	P6	REVISED PER ECO-11-011757	08JUN11	HMR DR

AMP
WIRE RANGE
12-10 AWG
SOLID OR STRANDED

- 1 STAMP AMP 12-10* APPROX AS SHOWN
- 2 MAXIMUM LENGTH DOES NOT INCLUDE MANUFACTURING TABS
- 3 TIN PLATE .00254[.000100] MIN THK PER ASTM B545
- 4 BLACK OXIDE PER MIL-F-495
- 5 UL LISTED E13288, 12-10 AWG STRANDED.
- 6 MATERIAL; COPPER PER ASTM B-152 ANNEALED
- 7 FINISH: TIN/LEAD (60/40) PLATE, .000100 MIN THK PER SAE-AMS-P-81728
- 8 CSA CERTIFIED LR7189, 12-10 AWG SOLID OR STRANDED
- 9 PRELIMINARY - NOT FOR PRODUCTION
- 10 GOLD PLATE 0.00127[.000050] MIN EXT THK PER ASTM B488, TYPE 1, CODE C OVER NICKEL PLATE 0.00127[.000050] MIN EXT THK PER SAE AMS QQ-N-290 OVER Cu FLASH PER SAE AMS 2418.



TEMP-RANGE	APPROVALS	FINISH	QTY	PACKAGE TYPE	PART NO
170°C	5 8	3	10	LOOSE PIECE, BAG	8-34138-3
170°C	5 8	3	50	LOOSE PIECE, BOX	8-34138-2
260°C	----	10	500	LOOSE PIECE	34138-4
170°C	----	7	500	LOOSE PIECE	34138-3
170°C	----	4	500	LOOSE PIECE	34138-1
170°C	5 8	3	500	LOOSE PIECE	34138

**AMP INCORPORATED
CUSTOMER SERVICE SYSTEMS**

FOR ADDITIONAL PRODUCT INFORMATION OR COPIES OF DRAWINGS AND TECHNICAL DOCUMENTS
 PRODUCT INFORMATION CENTER
 1-800-522-6752

FOR APPLICATION TOOLING INFORMATION
 TOOLING ASSISTANCE CENTER
 1-800-722-1111

FOR ORDER ENTRY
 1-800-526-5142

MAX RECOMMENDED OPERATING TEMPERATURE:
SEE TABLE

VOLTAGE RATING:
N/A

CIRCULAR MIL AREA:
2.62-6.64mm² [5,180-13,100] STRANDED

THIS DRAWING IS A CONTROLLED DOCUMENT FOR AMP INCORPORATED. IT IS SUBJECT TO CHANGE AND THE CONTROLLING ENGINEERING ORGANIZATION SHOULD BE CONTACTED FOR THE LATEST REVISION.

THIS DRAWING IS A CONTROLLED DOCUMENT.

DIMENSIONS: MM[INCHES]

TOLERANCES UNLESS OTHERWISE SPECIFIED:
 0 PLC ± -
 1 PLC ± -
 2 PLC ± -
 3 PLC ± -
 4 PLC ± -
 ANGLES ± ± -

MATERIAL: - 6

FINISH: SEE NOTES

TE Connectivity
 SPLICE, PARALLEL, SOLISTRAND

SIZE: A2 CAGE CODE: 00779 DRAWING NO: G-34138

SCALE: 10:1 SHEET: 1 of 1 REV: P6