

34176 Product Details

[Share](#) [Print](#) [Email](#)




34176

TE Internal Number: 34176

 Active

[View 3D PDF](#)

Ring and Spade Tongue Terminals

 Always EU RoHS/ELV Compliant
(Statement of Compliance)

Product Highlights:

- Terminal Shape = Spade Tongue
- Receptacle Style = Straight
- Body Style = PLASTI-GRIP
- Barrel Type = Closed Barrel
- Wire/Cable Type = Regular Wire

[View all Features](#)

Quick Links

- ▶ [Pricing & Availability](#)
- ▶ [Search for Tooling](#)
- ▶ [Product Feature Selector](#)
- ▶ [Contact Us About This Product](#)

[Add to My Part List](#)

[Request Sample](#)

[Find Similar Products](#)

[Buy Product](#)

Documentation & Additional Information

Product Drawings:

- [TERMINAL, SPADE, PLASTI-GRIP, WIRE SIZE:12-10 AWG \(PDF, English\)](#)

Catalog Pages/Data Sheets:

- None Available

Product Specifications:

- None Available

Application Specifications:

- [PLASTI-GRIP Terminals and Splices \(PDF, English\)](#)

Instruction Sheets:

- None Available

CAD Files: (CAD Format & Compression Information)

- [2D Drawing \(DXF, Version J\)](#)
- [3D Model \(IGES, Version J\)](#)
- [3D Model \(STEP, Version J\)](#)

[List all Documents](#)

Related Products:

- [Tooling](#)

Product Features (Please use the Product Drawing for all design activity)

Product Type Features:

- [Terminal Shape](#) = Spade Tongue
- [Receptacle Style](#) = Straight
- [Barrel Type](#) = Closed Barrel
- [Wire/Cable Type](#) = Regular Wire
- [Insulation](#) = Yes
- [Insulation Support](#) = Insulation Support
- [Stud Diameter \(mm \[in\]\)](#) = 5.00 [0.197]
- Stud Size = 10
- [Shape](#) = SPADE-021
- [Heavy Duty](#) = No
- [Finish](#) = Tin
- Color = Yellow

Electrical Characteristics:

- Voltage (VAC) = 600

Body Features:

- [Body Style](#) = PLASTI-GRIP
- [Wire Range \(mm \[AWG\]\)](#) = 3.00-6.00² [12-10]
- [Material](#) = Copper
- [Tongue Material Thickness \(mm \[in\]\)](#) = 1.02 [0.040]
- [Insulation Material](#) = Vinyl

Industry Standards:

- [Government/Industry Qualification](#) = No
- [RoHS/ELV Compliance](#) = RoHS compliant, ELV compliant
- [Lead Free Solder Processes](#) = Not relevant for lead free process
- [RoHS/ELV Compliance History](#) = Always was RoHS compliant

Packaging Features:

Termination Features:

- Wire/Cable Size (CMA) = 5,180 - 13,100

Dimensions:

- Insulation Diameter (mm [in]) = 3.81 - 6.35 [.150 - .250]

- Packaging Method = Loose Piece
- Packaging Quantity = 500

Other:

- Brand = AMP

Corporate Information

[About TE](#)
[Investors](#)
[News Room](#)
[Supplier Portal](#)
[Careers](#)
[Terms & Conditions](#)
[Privacy Policy](#)

Quick Links

[Distributor Inventory](#)
[Product Cross Reference](#)
[Documents & Drawings](#)
[Product Compliance Support Center](#)
[Site Map](#)

Customer Support

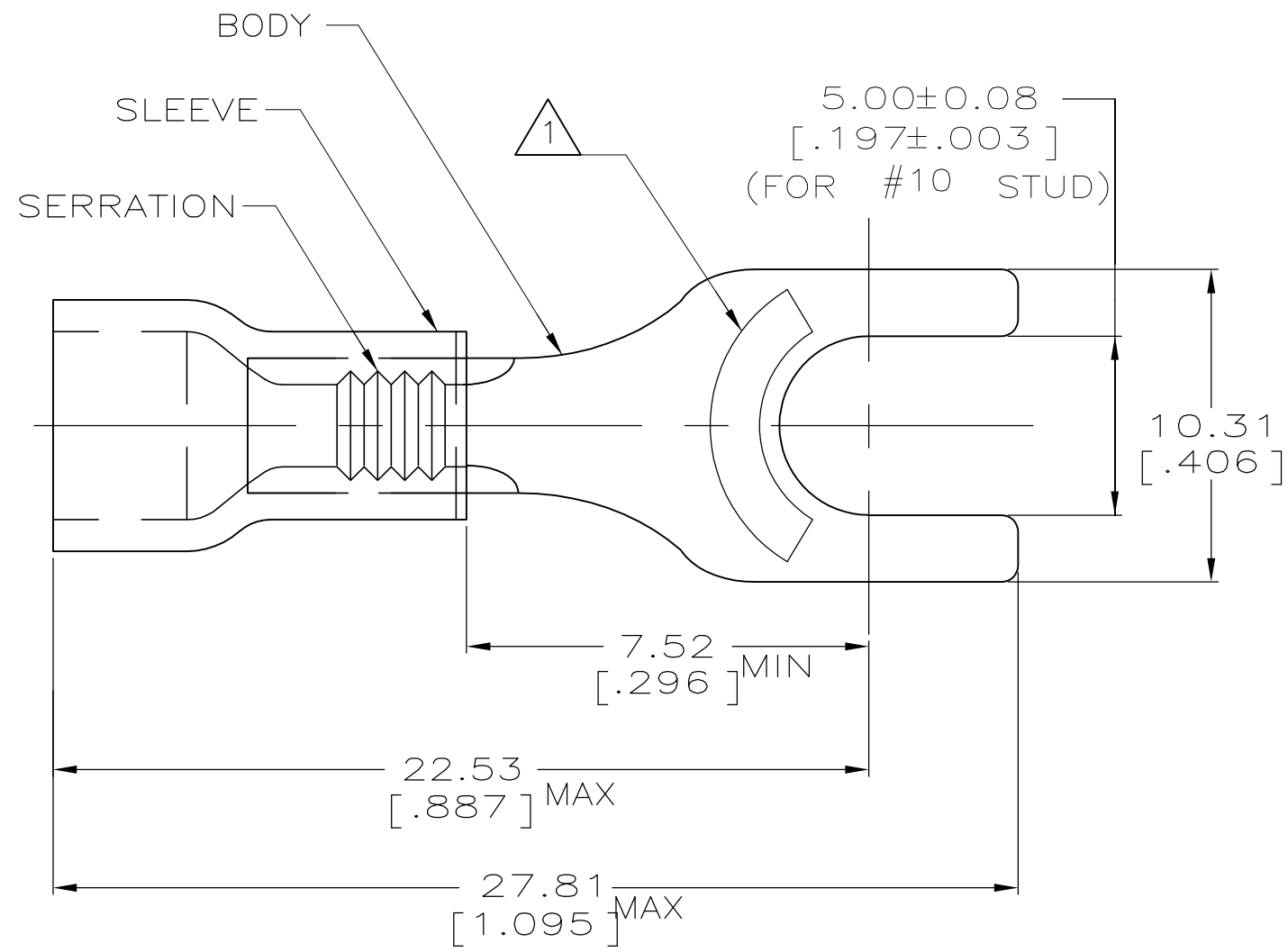
[Email or Chat With Us](#)
[Find a Phone Number](#)
[Knowledge Base](#)
[Manage Your Account](#)

Keep Me Informed

THIS DRAWING IS UNPUBLISHED. RELEASED FOR PUBLICATION
 © COPYRIGHT - By - ALL RIGHTS RESERVED.

LOC	DIST	REVISIONS					
G	14	P	LTR	DESCRIPTION	DATE	DWN	APVD
		J1		REVISED PER ECO-11-004917	11MAR11	RK	HMR

AMP WIRE RANGE	Listed FILE E13288	LR7189 Certified
12-10 AWG SOLID OR STRANDED	12-10 AWG SOLID OR STRANDED	12-10 AWG SOLID OR STRANDED



- △1 STAMP AMP12-10* LOCATE APPROX AS SHOWN
- 2. WIRE INSUL DIA. 3.81-6.35 [.150-.250].
- 3. TONGUE MATL THK, 1.02±0.05 [.040±.002].
- △4 MATERIAL: BODY - CU PER ASTM B152
SLEEVE - PVC, COLOR - YELLOW

25	LOOSE PIECE, BAG	8-34176-5
4	LOOSE PIECE, BLS	8-34176-4
100	LOOSE PIECE, BOX	8-34176-1
2500	ON TAPE, REEL	2-34176-1
500	LOOSE PIECE	34176
QTY	PACKAGE TYPE	PART NO

AMP INCORPORATED CUSTOMER SERVICE SYSTEMS		MAX RECOMMENDED OPERATING TEMPERATURE: 105°C [221°F]	THIS DRAWING IS A CONTROLLED DOCUMENT.		DWN G VINSON 28NOV94	TE Connectivity				
FOR ADDITIONAL PRODUCT INFORMATION OR COPIES OF DRAWINGS AND TECHNICAL DOCUMENTS	PRODUCT INFORMATION CENTER 1-800-522-6752	VOLTAGE RATING: 600V MAX (1000V FIXTURE OR SIGN)	DIMENSIONS: mm[INCHES]	TOLERANCES UNLESS OTHERWISE SPECIFIED:	CHK M ELLIS 28NOV94					NAME
FOR APPLICATION TOOLING INFORMATION	TOOLING ASSISTANCE CENTER 1-800-722-1111	CIRCULAR MIL AREA: 2.62-6.64mm² [5,180-13,100] SOLID OR STRANDED		0 PLC ± - 1 PLC ± - 2 PLC ± 0.20 [.008] 3 PLC ± - 4 PLC ± - ANGLES ± -	APVD G NGO 28NOV94	PRODUCT SPEC				
FOR ORDER ENTRY	1-800-526-5142	THIS DRAWING IS A CONTROLLED DOCUMENT FOR AMP INCORPORATED. IT IS SUBJECT TO CHANGE AND THE CONTROLLING ENGINEERING ORGANIZATION SHOULD BE CONTACTED FOR THE LATEST REVISION.	MATERIAL △4	FINISH -	APPLICATION SPEC UL 486A	TERMINAL, SPADE, PLASTI-GRIP, WIRE SIZE:12-10 AWG				
					WEIGHT -	SIZE A3	CAGE CODE 00779	DRAWING NO C-34176	RESTRICTED TO -	
					CUSTOMER DRAWING	SCALE 6:1	SHEET 1 OF 1	REV J1		