



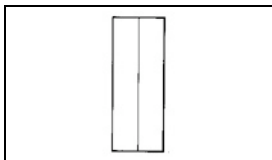
Have a Question?
 Chat with a Product
 Information Specialist

What can we help you find?

[Products](#)
 [Industries](#)
 [Resources](#)
 [About TE](#)
 [My Account](#)
 [Innovation](#)
 [Support Center](#)

34319 Product Details

[Share](#)
 [Print](#)
 [Email](#)



34319

TE Internal Number: 34319

Active

[View 3D PDF](#)

Splices - Closed Barrel

Always EU RoHS/ELV Compliant (Statement of Compliance)

Product Highlights:

- Splice
- Not Sealed
- Splice Type = Parallel
- Body Style = SOLISTRAND
- Uninsulated

[View all Features](#)

Quick Links

- ▶ [Pricing & Availability](#)
- ▶ [Search for Tooling](#)
- ▶ [Product Feature Selector](#)
- ▶ [Contact Us About This Product](#)

[Add to My Part List](#)
 [Request Sample](#)
 [Find Similar Products](#)
 [Buy Product](#)

Documentation & Additional Information

Product Drawings:

- [SPLICE, PARALLEL, SOLISTRAND](#) (PDF, English)

Catalog Pages/Data Sheets:

- None Available

Product Specifications:

- None Available

Application Specifications:

- None Available

Instruction Sheets:

- None Available

CAD Files: [\(CAD Format & Compression Information\)](#)

- [2D Drawing](#) (DXF, Version U)
- [3D Model](#) (IGES, Version U)
- [3D Model](#) (STEP, Version U)

[List all Documents](#)

Related Products:

- [Tooling](#)

Product Features (Please use the Product Drawing for all design activity)

Product Type Features:

- [Product Type](#) = Splice
- [Sealed](#) = No
- [Splice Type](#) = Parallel
- [Insulation](#) = No
- [Insulation Support](#) = Non-Insulation Support
- [Finish](#) = Tin
- [Color](#) = None

Termination Features:

- [Wire/Cable Size \(CMA\)](#) = 20,800 – 33,100

Dimensions:

- [Inside Diameter \(mm \[in\]\)](#) = 5.89 [0.232]

Body Features:

- [Body Style](#) = SOLISTRAND
- [Wire Range \(mm \[AWG\]\)](#) = 13.00-15.00² [6]
- [Material](#) = Copper
- [Stock Thickness \(mm \[in\]\)](#) = 1.52 [0.060]
- [Nominal Outside Diameter \(mm \[in\]\)](#) = 9.37 [0.369]

Industry Standards:

- [Government/Industry Qualification](#) = No
- [RoHS/ELV Compliance](#) = RoHS compliant, ELV compliant
- [Lead Free Solder Processes](#) = Not relevant for lead free process
- [RoHS/ELV Compliance History](#) = Always was RoHS compliant

Packaging Features:

- [Packaging Method](#) = Loose Piece

Other:

- [Brand](#) = AMP

Corporate Information

- [About TE](#)
- [Investors](#)
- [News Room](#)

Quick Links

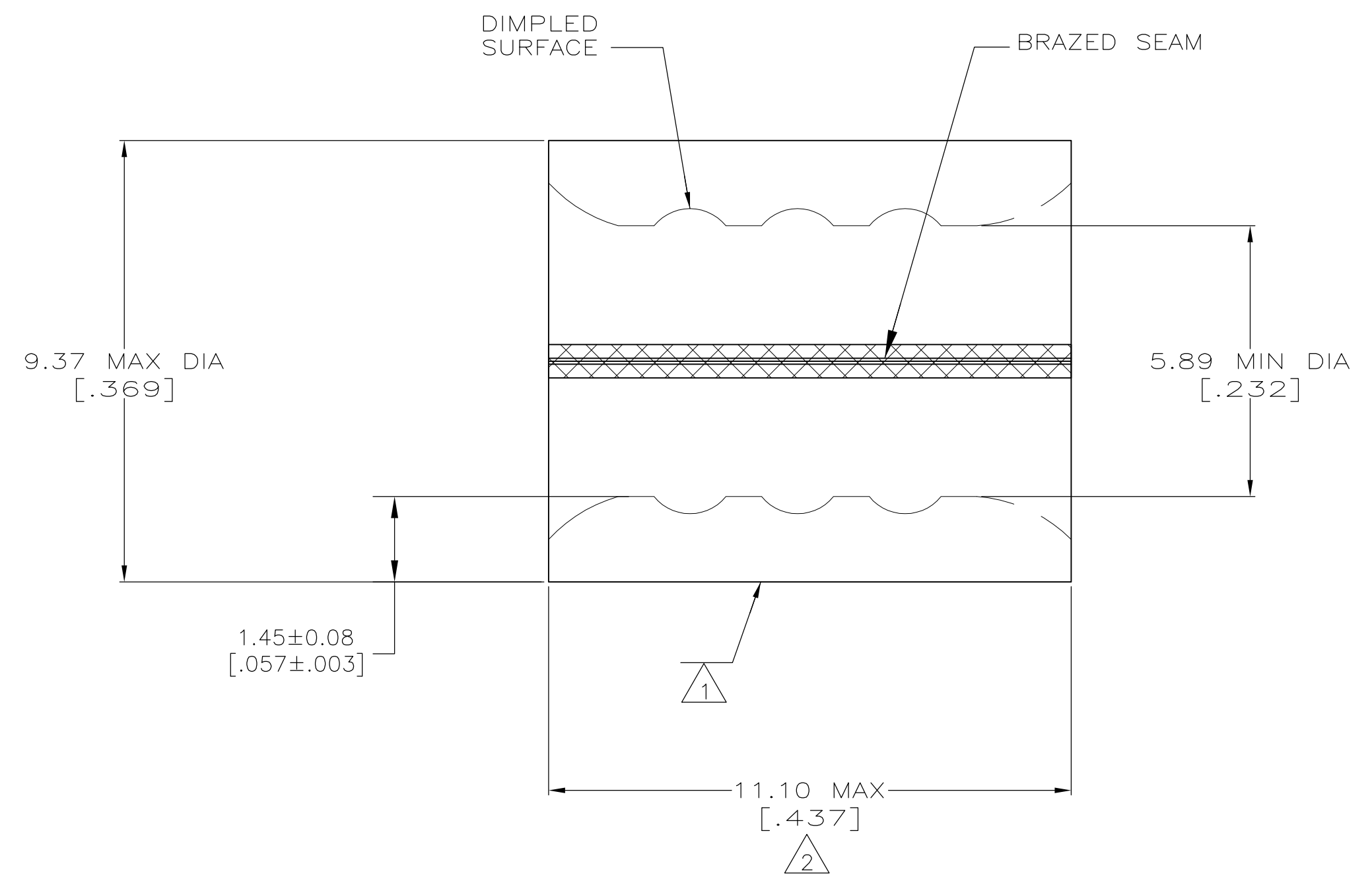
- [Distributor Inventory](#)
- [Product Cross Reference](#)
- [Documents & Drawings](#)

Customer Support

- [Email or Chat With Us](#)
- [Find a Phone Number](#)
- [Knowledge Base](#)

LOC	DIST	REVISIONS			
P	LTR	DESCRIPTION	DATE	OWN	APVD
G	14				
	K7	REVISED PER ECO-11-013501	30JUN11	HMR	DR

AMP
 WIRE RANGE
 6 AWG
 SOLID OR STRANDED



- 1 STAMP AMP 6W* APPROX AS SHOWN
- 2 MAXIMUM LENGTH DOES NOT INCLUDE MANUFACTURING TABS
- 3 MATERIAL: COPPER PER ASTM B-152 ANNEALED
- 4 UL LISTED E13288, 6 AWG STRANDED
- 5 CSA CERTIFIED LR7189, 6 AWG SOLID OR STRANDED.
- 6 0.00254 [.000100] MIN TIN ASTM B-545
- 7 TIN/LEAD (60/40) 0.00254 [.000100] MIN TIN SAE-AMS-P-81728
- 8 GOLD PLATE 0.00127[.000050] MIN EXT THK PER ASTM B488, TYPE 1, CODE C OVER NICKEL PLATE 0.00127[.000050] MIN EXT THK PER SAE AMS QQ-N-290 OVER Cu FLASH PER SAE AMS 2418
- 9 NOTE DELETED.

170°C[338°F]	4 5	20	6	LOOSE PIECE, BOX	8-34319-5
260°C[500°F]	----	100	8	LOOSE PIECE	34319-3
170°C[338°F]	----	100	7	LOOSE PIECE	34319-1
170°C[338°F]	4 5	500	6	LOOSE PIECE	34319
MAX OPERATING TEMP	APPROVALS	QTY	FINISH	PACKAGE TYPE	PART NO

AMP INCORPORATED CUSTOMER SERVICE SYSTEMS		MAX RECOMMENDED OPERATING TEMPERATURE: SEE TABLE
FOR ADDITIONAL PRODUCT INFORMATION OR COPIES OF DRAWINGS AND TECHNICAL DOCUMENTS	PRODUCT INFORMATION CENTER 1-800-522-6752	VOLTAGE RATING: N/A
FOR APPLICATION TOOLING INFORMATION	TOOLING ASSISTANCE CENTER 1-800-722-1111	CIRCULAR MIL AREA: 10.5-16.8mm ² [20,800-33,100] SOLID OR STRANDED
FOR ORDER ENTRY	1-800-526-5142	THIS DRAWING IS A CONTROLLED DOCUMENT FOR AMP INCORPORATED. IT IS SUBJECT TO CHANGE AND THE CONTROLLING ENGINEERING ORGANIZATION SHOULD BE CONTACTED FOR THE LATEST REVISION.

THIS DRAWING IS A CONTROLLED DOCUMENT.		DWN TA BRINKMAN 4-14-93	STE TE Connectivity	
DIMENSIONS: mm[INCHES]		CHK DA PATTERSON 4-14-93		
TOLERANCES UNLESS OTHERWISE SPECIFIED:		APVD DA PATTERSON 4-14-93	NAME SPLICE, PARALLEL, SOLISTRAND	
0 PLC ± - 1 PLC ± - 2 PLC ± - 3 PLC ± - 4 PLC ± - ANGLES ± ± -		PRODUCT SPEC -	SIZE A2	
MATERIAL 3		FINISH SEE TABLE	CAGE CODE 00779	DRAWING NO G-34319
		WEIGHT -	RESTRICTED TO -	
		CUSTOMER DRAWING		SCALE 10:1 SHEET 1 OF 1 REV K7