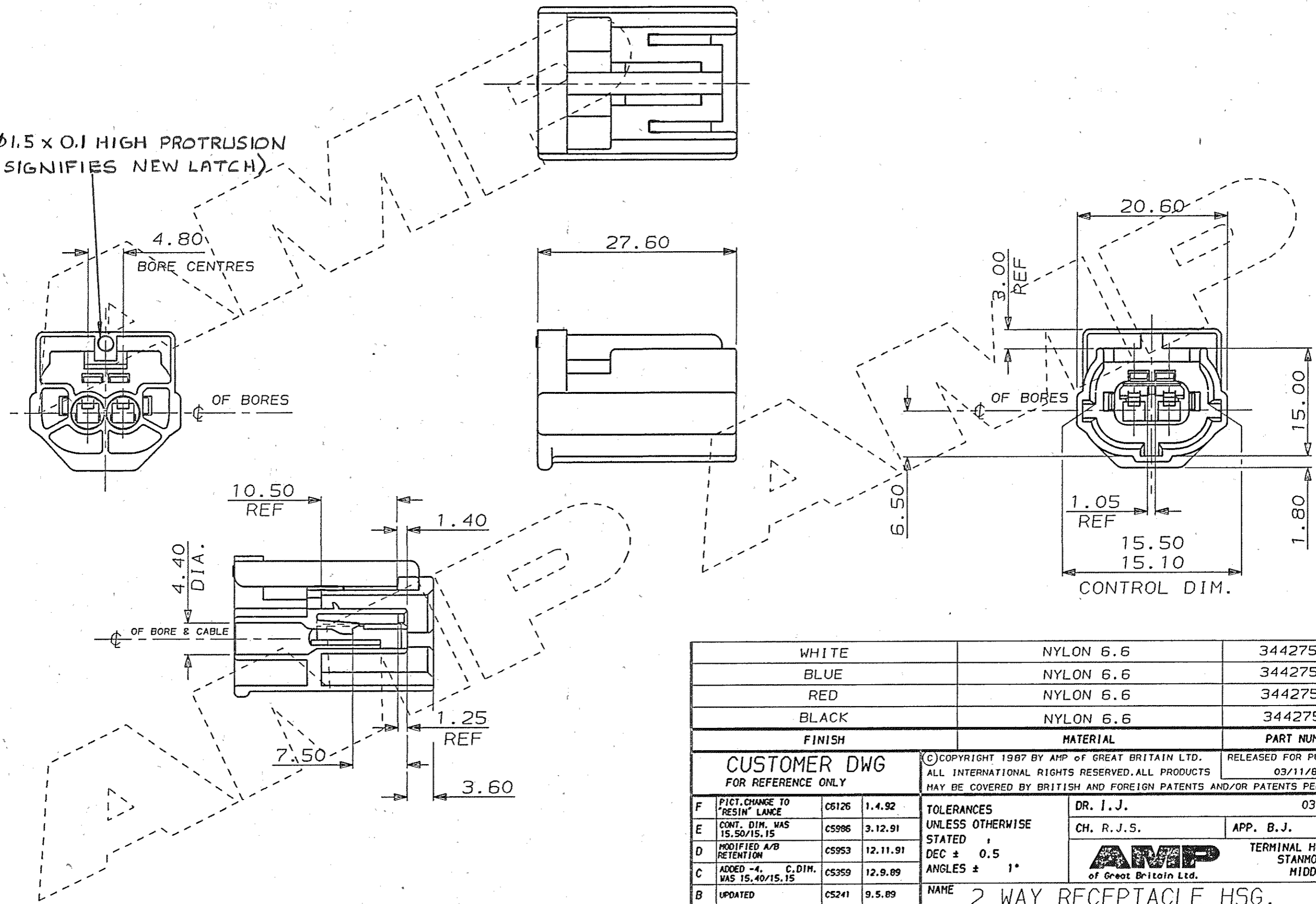


C.A.D. FILE CODE
5. C344275


DO NOT SCALE DIMENSIONS IN MM.



Ø1.5 x 0.1 HIGH PROTRUSION
(SIGNIFIES NEW LATCH)



WHITE	NYLON 6.6	344275-4
BLUE	NYLON 6.6	344275-3
RED	NYLON 6.6	344275-2
BLACK	NYLON 6.6	344275-1
FINISH	MATERIAL	PART NUMBER

CUSTOMER DWG FOR REFERENCE ONLY				© COPYRIGHT 1987 BY AMP OF GREAT BRITAIN LTD. ALL INTERNATIONAL RIGHTS RESERVED. ALL PRODUCTS MAY BE COVERED BY BRITISH AND FOREIGN PATENTS AND/OR PATENTS PENDING.				RELEASED FOR PUBLICATION 03/11/87		
F	PICT. CHANGE TO "RESIN" LANCE	C6126	1.4.92	TOLERANCES UNLESS OTHERWISE STATED DEC ± 0.5 ANGLES ± 1°		DR. I. J.		03 NOV 1987		
E	CONT. DIM. WAS 15.50/15.15	C5986	3.12.91			CH. R. J. S.		APP. B. J.		
D	MODIFIED A/B RETENTION	C5953	12.11.91	NAME 2 WAY RECEPTACLE HSG. ECONOSEAL 3 LOW CURRENT		 AMP of Great Britain Ltd. TERMINAL HOUSE STANMORE MIDDX.				
C	ADDED -4. C.DIM. WAS 15.40/15.15	C5359	12.9.89							
B	UPDATED	C5241	9.5.89	SCALE		LOC	SIZE	DWG.No.	REV	SHEET
H	ECR-05-011882	MH	27-9-05	2/1	E	A3	C344275	H	1/1	
G	EB00-0350-97	JPA	18-6-97	REV	APPROVED	ECN	DATE			

Mouser Electronics

Authorized Distributor

Click to View Pricing, Inventory, Delivery & Lifecycle Information:

[TE Connectivity:](#)

[344275-1](#)