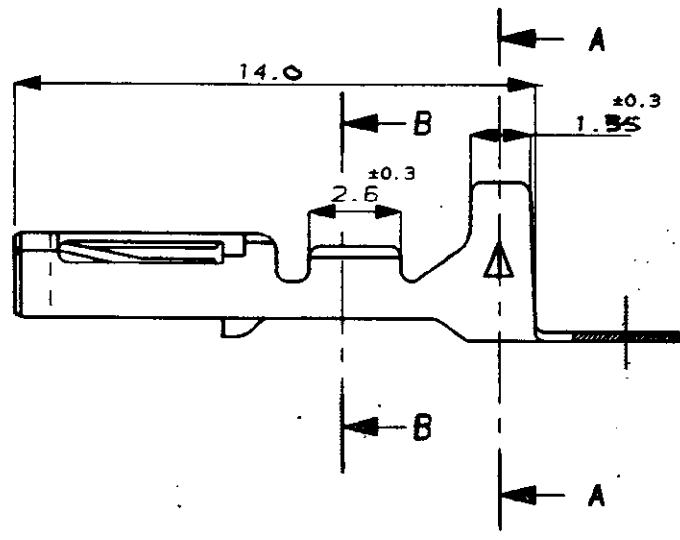
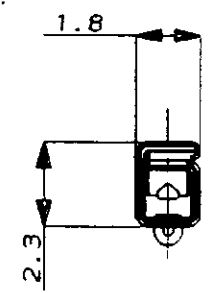
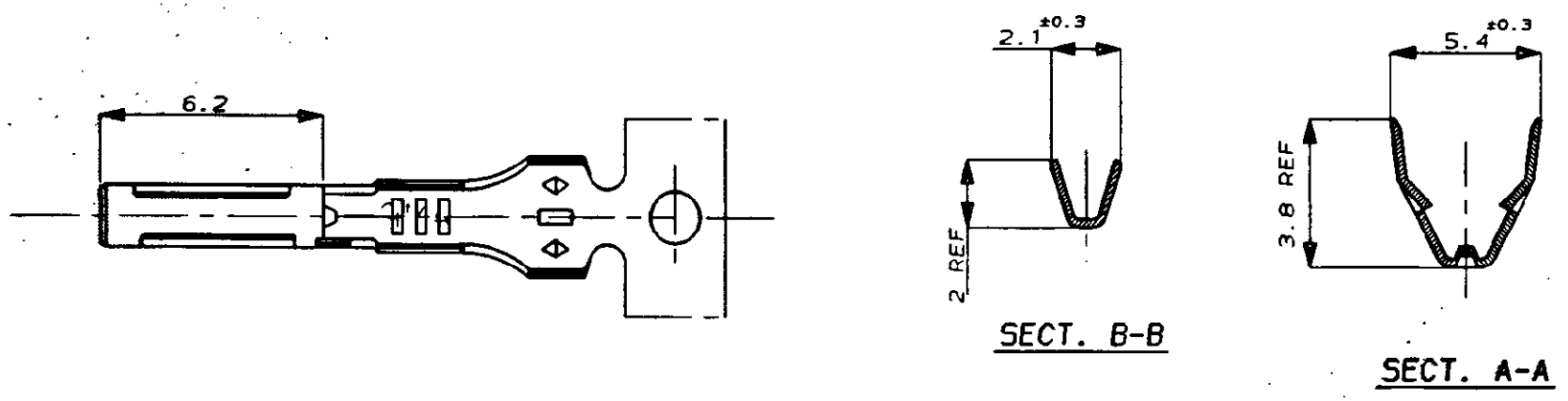
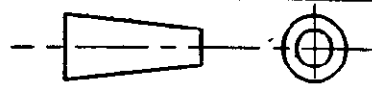



C.A.D. FILE CODE
S. C345160.0

DO NOT SCALE DIMENSIONS IN MM.



NOTES: -
 1 WIRE DETAILS ; 0.2-0.5mm² , 1.2-2.0 INS. DIA.
 2 SIMILAR TO PART NUMBER 173681.

PRE-TIN		PHOS. BRONZE		345160-1	
FINISH		MATERIAL		PART NUMBER	
CUSTOMER DWG FOR REFERENCE ONLY				RELEASED FOR PUBLICATION 16 OCT 1991	
TOLERANCES UNLESS OTHERWISE STATED ; DEC ± 0.5 ANGLES ± 1°		DR. D.R. TERRY CH. M MISTRY		10 OCT 1991 APP. M MISTRY	
 TE Connectivity					
NAME .040 SERIES RECEPTACLE CONTACT MULTI-LOCK					
A1	REVISED PER ECO-11-005294	11APR11	SCALE	LOC	SIZE
REV	APPROVED	DATE	5/1	E	A3
			DWG.No.	REV	SHEET
			C345160	A1	1/1