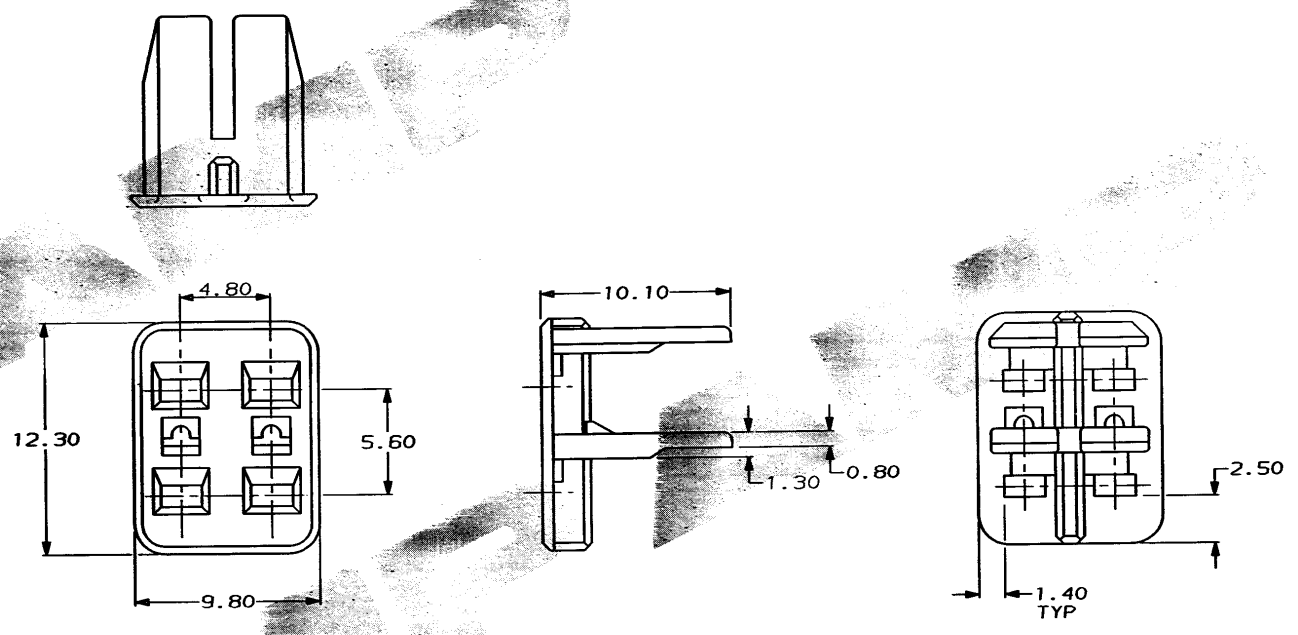


S. C345258.0

DO NOT SCALE DIMENSIONS IN MM.



NOTE
THIS PART IS USED ON Pt.No. 344270-1

COLOUR		MATERIAL		PART NUMBER					
YELLOW		NYLON 66		345258-1					
CUSTOMER DWG FOR REFERENCE ONLY		©COPYRIGHT 1989 BY AMP OF GREAT BRITAIN LTD. ALL INTERNATIONAL RIGHTS RESERVED. ALL PRODUCTS MAY BE COVERED BY BRITISH AND FOREIGN PATENTS AND/OR PATENTS PENDING.		RELEASED FOR PUBLICATION 05 DEC 1989					
TOLERANCES UNLESS OTHERWISE STATED DEC ± 0.5 ANGLES ± 1°		DR. R. RUMGALL. CH. D. R. TERRY.		05/12/89 APP. R. SIMMONS.					
NAME		AMP of Great Britain Ltd. TERMINAL HOUSE STAMPING H100X.							
A/BACKOUT FOR 4 WAY REC. H5G. ECONOSEAL 3 LOW CURRENT									
0	REL. FOR PRODUCTION	CS80	10/08/80	SCALE	LOC	SIZE	DWG. No.	REV	SHEET
REV	APPROVED	ECN	DATE	5/1	E	A3	C345258	0	1/1