

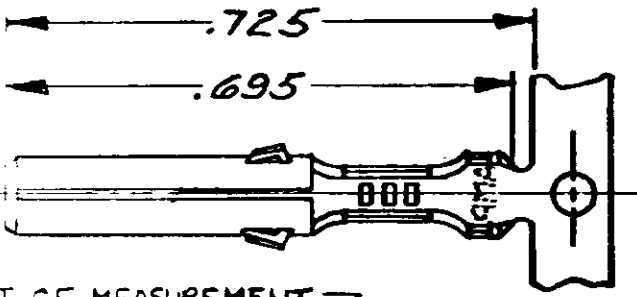
Distributed by:

JAMECO[®]
ELECTRONICS

www.Jameco.com ♦ 1-800-831-4242

The content and copyrights of the attached
material are the property of its owner.

Jameco Part Number 940481

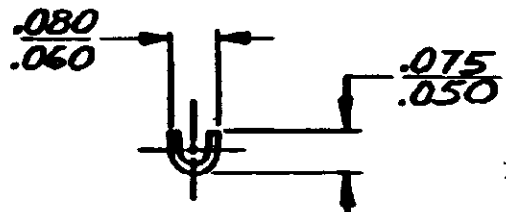
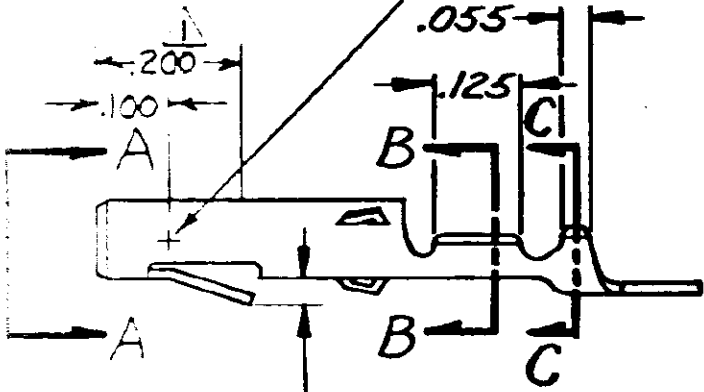


:.078/.081 DIA.

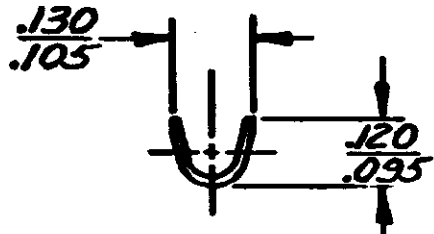


VIEW A-A

POINT OF MEASUREMENT INSIDE OF RECEPTACLE




SECT. B-B



SECT. C-C

PART NO.	MATL & FINISH
350078-1	BRASS-PRETIN
350078-4	PH. BRZ.-PRETIN
350078-5	BRASS- Δ

Δ .000030 THK. GOLD OVER NICKEL ON INSIDE OF RECEPT. + WIRE BARREL; REMAINDER OF CONTACT IS NICKEL PLATED.

DES. 7 PER CM-821	REV. 1/2/58	BY AMP INCORP.	CUSTOMER COPY REFERENCE ONLY
ABSOLUTE-21-3CM413	KW RS 226-86	RESERVED AMP PRODUCT. INVENTED BY PATENTS AND/OR PATENTS PENDING	
RESTORED	BD/RS 10/21/58	MATERIAL AND FINISH	 AMP INCORPORATED HARRISBURG, PENNA.
REVISED	11/1/58	SEE-TABLE	
PER ECM AG 25	11/1/58	WIRE - RANGE - INSULATION	CLASS #
ECM M-7426	11/1/58	30-22 AMS .040-.075	TYPE #
REWORK REVISED	M-2310 DAS 11/1/58	TOLERANCE EXCEPT AS NOTED \pm .015	LOC CM A
REVISION RECORD	ECM 11/1/58	SCALE 1	NO 350078
DESIGNED BY H.E. LEVINS 4/21	DATE	NAME	IN
MATE-N-LOK SOCKET			