

Distributed by:

JAMECO[®]
ELECTRONICS

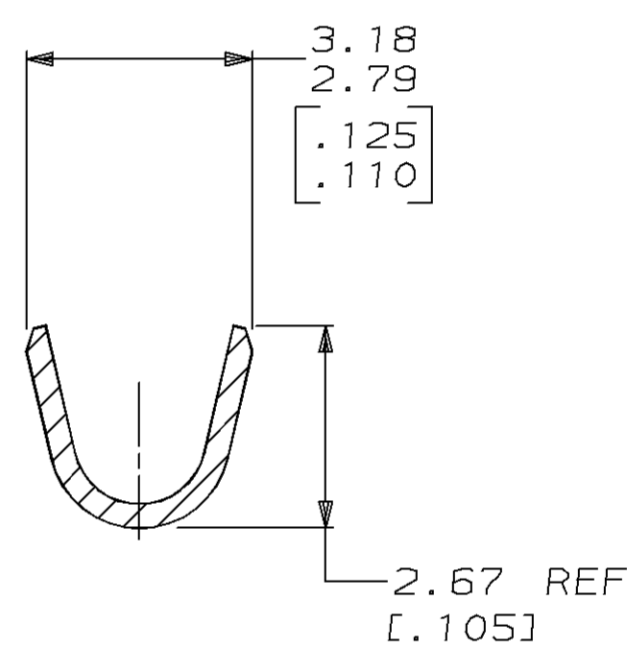
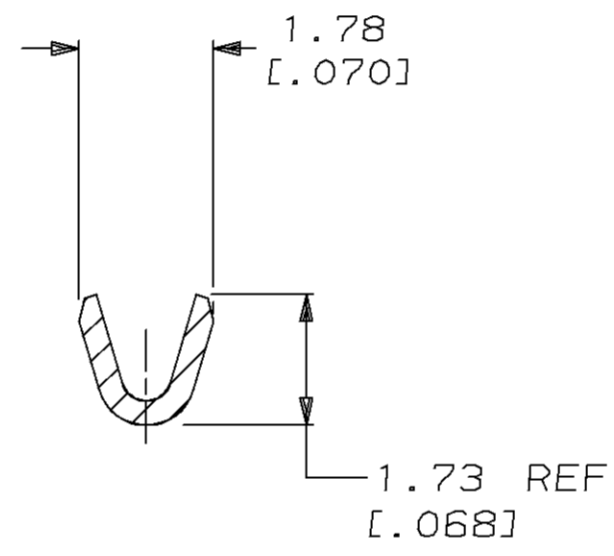
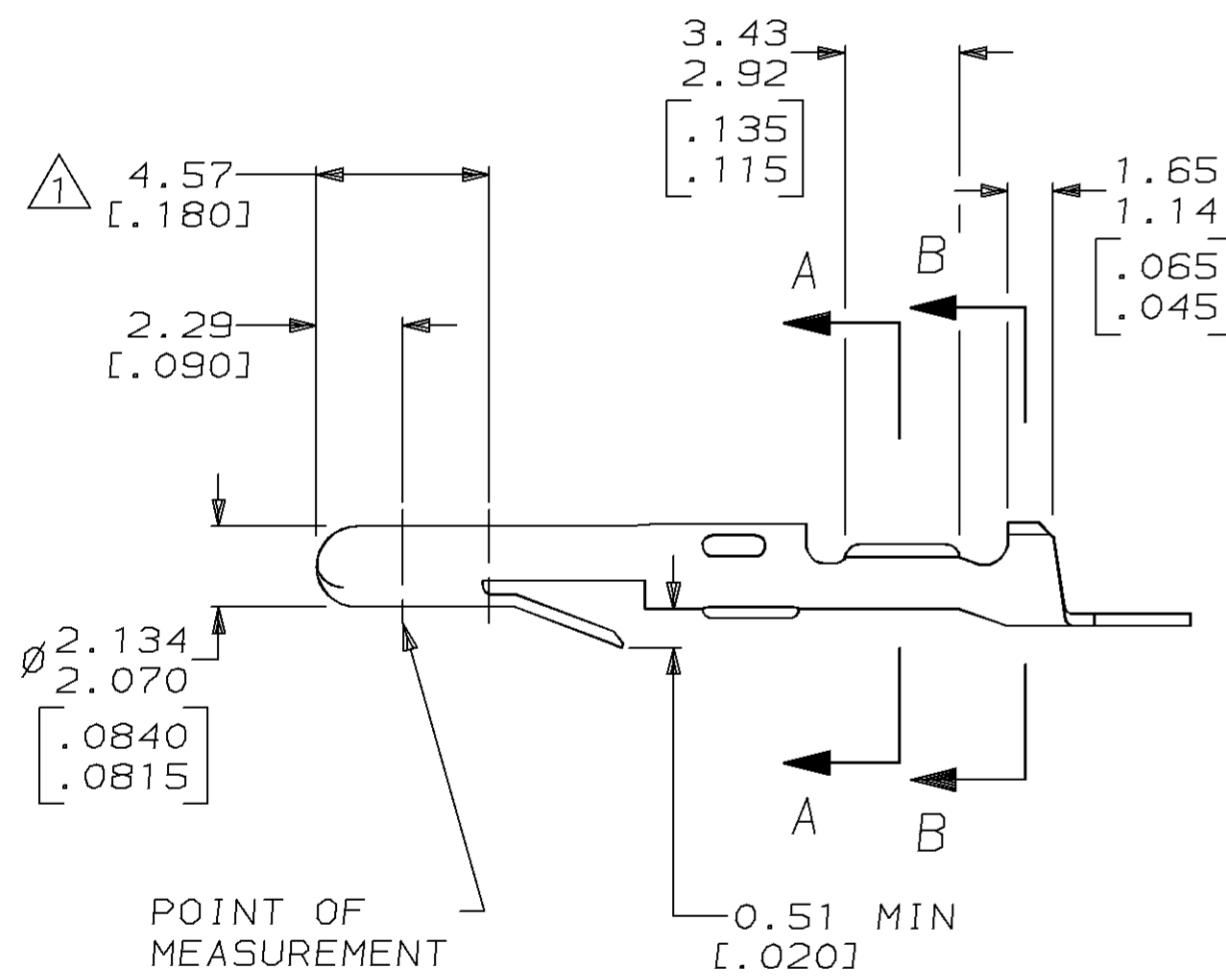
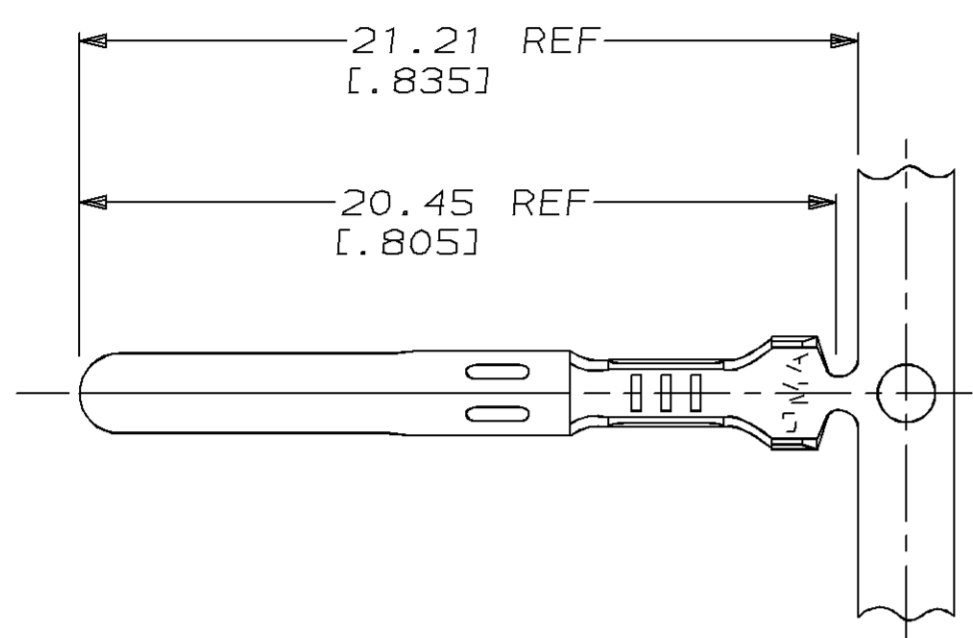
www.Jameco.com ♦ 1-800-831-4242

The content and copyrights of the attached
material are the property of its owner.

Jameco Part Number 940529

| LOC | DIST | P | F | ZONE | LTR | DESCRIPTION | DATE | APPD |
|-----|------|---|---|------|-----|-------------------------|---------|----------|
| CM | 53 | | | | U | REV PER EC 0730-0142-94 | 8-12-94 | RV RS |

1. PLATE OVERALL WITH 0.00127 [.000050] MIN NICKEL, THEN PLATE INSIDE OF WIRE BARREL AND ON TIP OF PIN WITH 0.00076 [.000030] MIN GOLD.
2. WIRE RANGE: 0.05 - 0.4 mm² [30 - 22 AWG].
3. INSULATION RANGE: 1.02-1.91 [.040-.075] DIA.
4. DIMENSIONS IN BRACKETS ARE IN INCHES.



| △ | 0.30 [.012] BRASS | 350079-5 |
|---------|--------------------|----------|
| PRE-TIN | 0.30 [.012] PH BRZ | 350079-4 |
| PRE-TIN | 0.30 [.012] BRASS | 350079-1 |
| FINISH | MATERIAL | PART NO |

| | | | | |
|--|---------------------------|--|--------------------|------------------------|
| DO NOT SCALE PRINT. UNLESS SPECIFIED DIMENSIONS IN mm [INCHES] TOLERANCES ON : 2 PLC DEC ± 0.13 [.005] 3 PLC DEC ± - ANGLES ± - | DR 2-15-93 K. SALMON | AMP AMP Incorporated Harrisburg, PA 17105-3608 | | |
| | CHK 2-15-93 R. SWING | | | |
| MATERIAL SEE TABLE | APPD 2-22-93 C. MARTIN | NAME PIN, MATE-N-LOK™ | | |
| | APPD 2-22-93 C. MARTIN | | | |
| FINISH SEE TABLE | PRODUCT SPEC - | SIZE C | CAGE CODE 00779 | DRAWING NO G=350079 |
| | APPLICATION SPEC - | WEIGHT - | SCALE 5:1 | SHEET 1 OF 1 |

METRIC

THIS DRAWING IS A CONTROLLED DOCUMENT FOR AMP INCORPORATED. IT IS SUBJECT TO CHANGE AND THE CONTROLLING ENGINEERING ORGANIZATION SHOULD BE CONTACTED FOR THE LATEST REVISION.