

65

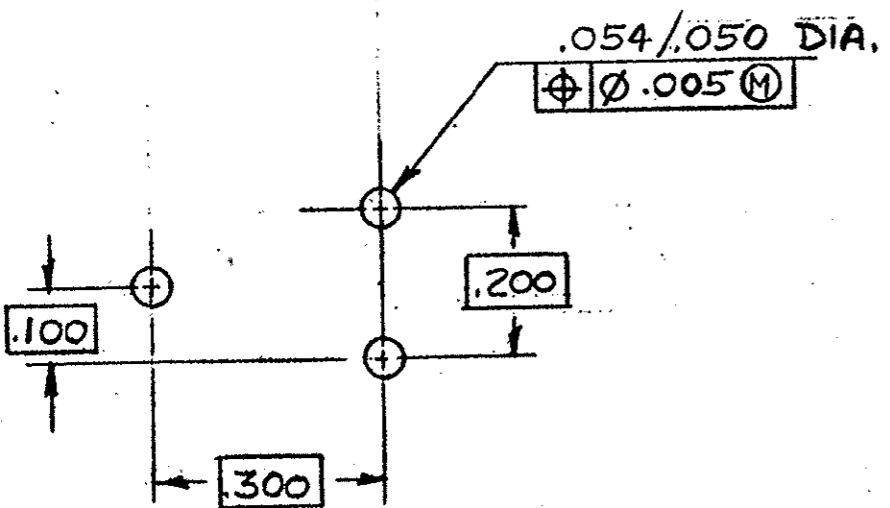
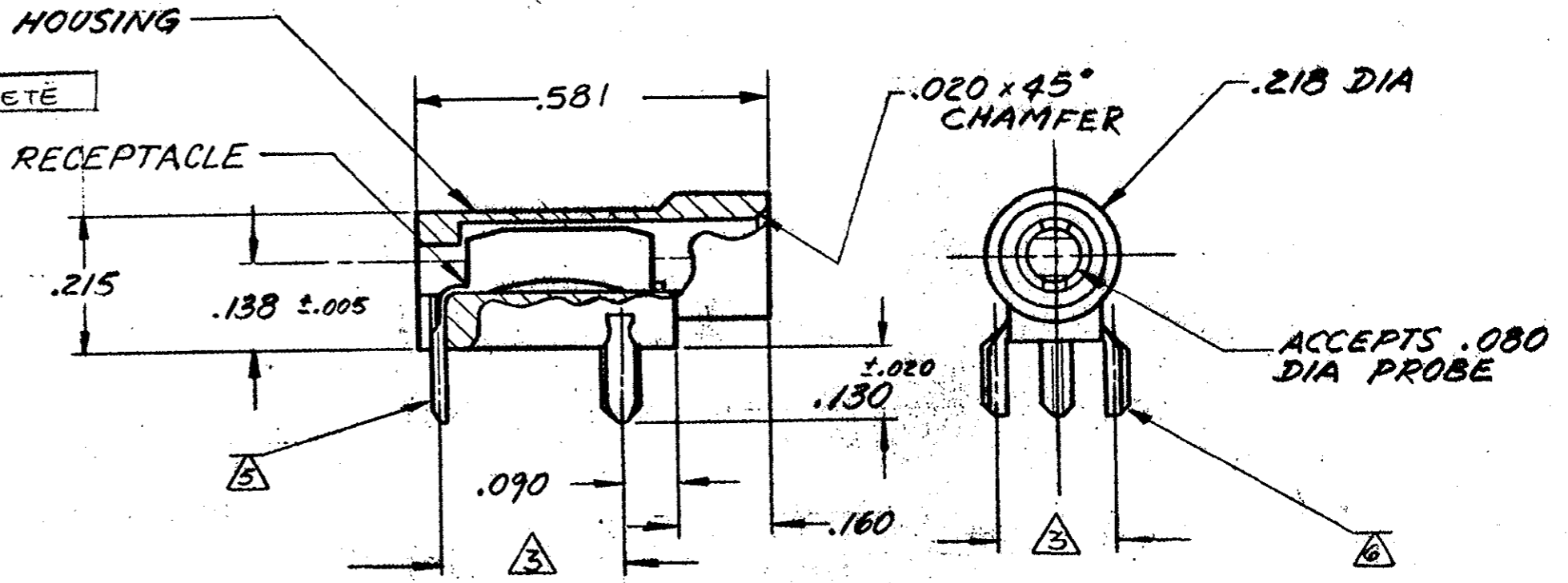
| ASS'Y NUMBER | HOUSING COLOR | RECEPTACLE & LEGS FINISH |
|--------------|---------------|--------------------------|
| 350180-0     | BLACK         | GOLD                     |
| 1            | BROWN         |                          |
| 2            | RED           |                          |
| 3            | ORANGE        |                          |
| 4            | YELLOW        |                          |
| 5            | GREEN         |                          |
| 6            | BLUE          |                          |
| 7            | VIOLET        |                          |
| 8            | GRAY          |                          |
| 9            | WHITE         |                          |

OBSOLETE

OBSOLETE

- 1- OPERATING TEMPERATURE, 105°C MAX
- 2- RETENTION FORCE - 16 OZ MIN INITIALLY, 6 OZ MIN AFTER 500 CYCLES
- 3 REFER TO MOUNTING HOLE PATTERN.

- 5 SINGLE LEG IS LIVE CIRCUIT
- 6 DOUBLE LEGS FOR MECHANICAL MOUNTING ONLY



RECOMMENDED MOUNTING HOLE PATTERN

Unpublished copy not to be reproduced nor published without written permission of AMP Incorporated

| LTR | REVISION RECORD           | DR    | CHK  | DATE     |
|-----|---------------------------|-------|------|----------|
| L   | REVISED PER 063A-0232-04  | MF    | 8/24 | 4-20-04  |
| K   | RELOCATE PER 061A-036A-98 | JK    |      | 11/8/98  |
| J   | REV PER AG-2035           | PM    | DM   | 10-18-90 |
| H   | REV PER AG-2037           | VO    | LW   | 8-23-90  |
| G   | REV PER AG-1392           | SSA   | DM   | 12-14-88 |
| F   | REV PER AG-1263           | VP    |      | 10-7-88  |
| E   | REV PER AG-1230           | RET   |      | 8/25/88  |
| D   | REV PER AG-5113           | RET   | DM   | 4/15/88  |
| C   | REV PER AG-5173           | VS    |      | 4-1-88   |
| C   | REV AG 1047 LOC TO CY     | 12-22 | 81   | 8/20/87  |
| B   | RESTORED                  | RS    |      | 1/16/87  |
| B   | REL'D FOR PROD M-7250     | PAS   | DH   | 8/16/82  |
| A   | REVISED M-5106            | PAS   | DH   | 12-28-78 |

NUMBER 350180

| DWG SIZE   | NUMBER | NAME   | REMARKS                             | ITEM NO   |
|--|--------|--|-------------------------------------|---|
|  |        |  |                                     |   |
| © 1972 BY AMP INCORPORATED. ALL RIGHTS RESERVED. AMP PRODUCTS COVERED BY PATENTS AND/OR PATENTS PENDING. |        |  | <b>CUSTOMER COPY REFERENCE ONLY</b> |   |
| DR DAYTON HOLMES<br>3-15-72  |        | MATERIAL AND FINISH<br>HOUSING, NYLON TYPE 6/6<br>RECEPTACLE, LEGS, ASTM-B36 ALLOY 6 |                                     | <b>AMP</b> AMP INCORPORATED<br>HARRISBURG, PENNA. |
| CHK R. LUNDERGAN<br>3-16-72  |        | WIRE - RANGE - INSULATION<br>-H- -H-   |                                     |   |
| DE R. LUNDERGAN<br>3-16-72   |        | TOLERANCE EXCEPT AS NOTED<br>±.015 ±1° 0' 4-1  |                                     | CLASS -H-<br>TYPE -H-                             |
| APP  |        | NAME TEST PROBE ASSY   |                                     | LOC AG B NO 350180 REV L                          |

2 CUSTOMER DRAWING

DIMENSIONS IN INCHES. DO NOT SCALE PRINT.

PRINTED BY APF 50