

Distributed by:

JAMECO[®]
ELECTRONICS

www.Jameco.com ♦ 1-800-831-4242

The content and copyrights of the attached
material are the property of its owner.

Jameco Part Number 1931632

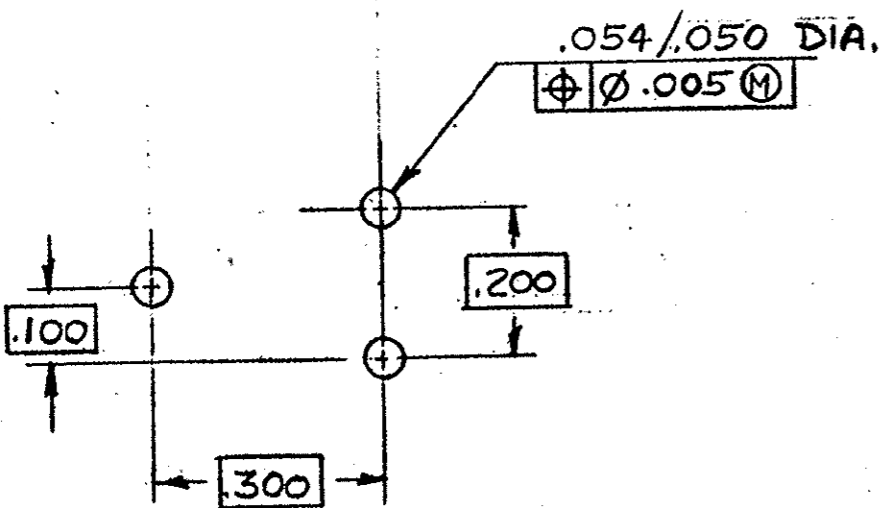
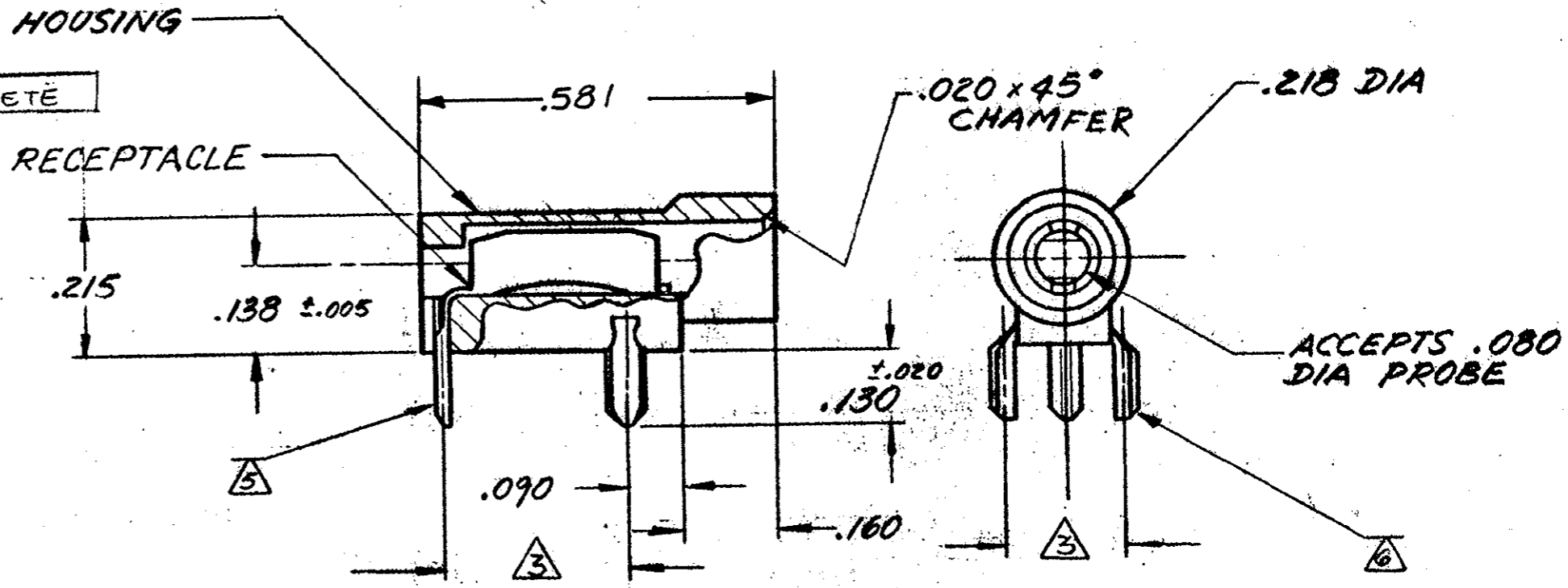
ASS'Y NUMBER	HOUSING COLOR	RECEPTACLE & LEGS FINISH
350180-0	BLACK	GOLD
1	BROWN	
2	RED	
3	ORANGE	
4	YELLOW	
5	GREEN	
6	BLUE	
7	VIOLET	
8	GRAY	
9	WHITE	

OBSOLETE

OBSOLETE

- 1- OPERATING TEMPERATURE, 105°C MAX
- 2- RETENTION FORCE - 16 OZ MIN INITIALLY, 6 OZ MIN AFTER 500 CYCLES
- 3 REFER TO MOUNTING HOLE PATTERN.

- 5 SINGLE LEG IS LIVE CIRCUIT
- 6 DOUBLE LEGS FOR MECHANICAL MOUNTING ONLY



RECOMMENDED MOUNTING HOLE PATTERN

LTR	REVISION RECORD	DR	CHK	DATE
L	REVISED PER 063A-0232-04	MF	8/24	4-20-04
K	RELOCATE PER 061A-036A-98	JK		11/8/98
J	REV PER AG-2035	JK	DM	10-18-90
H	REV PER AG-2037	WJ	LW	8-23-90
G	REV PER AG-1392	SSA	DM	12-14-88
F	REV PER AG-1263	WJ	DM	10-7-88
E	REV PER AG-1230	RET	DM	8/25/88
D	REV PER AG-5113	RET	DM	4/15/88
C	REV PER AG-5173	US		4-88
C	REV AG 1047 LOC TO CY	12-22	81	8/20/87
B	RESTORED	RS		
B	REL'D FOR PROD M-7250	PAS	DH	8/16/82
A	REVISED M-5106	PAS	DH	12-28-78

NUMBER 350180

DESCRIPTION	DWG SIZE	NUMBER	NAME	REMARKS	ITEM NO
REQUIRED PER ASSEMBLY					
© 1972 BY AMP INCORPORATED. ALL RIGHTS RESERVED. AMP PRODUCTS COVERED BY PATENTS AND/OR PATENTS PENDING.					
DR DAYTON HOLMES 3-15-72			MATERIAL AND FINISH HOUSING, NYLON TYPE 6/6 RECEPTACLE, LEGS, ASTM-B36 ALLOY 6		AMP AMP INCORPORATED HARRISBURG, PENNA.
CHK R. LUNDERGAN 3-16-72			WIRE - RANGE - INSULATION -H- -H-		
DE R. LUNDERGAN 3-16-72			TOLERANCE EXCEPT AS NOTED ±.015 ±1.0%		CLASS -H- TYPE -H-
APP			SCALE 4-1		LOC AG NO B REV 350180 L
NAME TEST PROBE ASSY					

2 CUSTOMER DRAWING

DIMENSIONS IN INCHES, DO NOT SCALE PRINT.