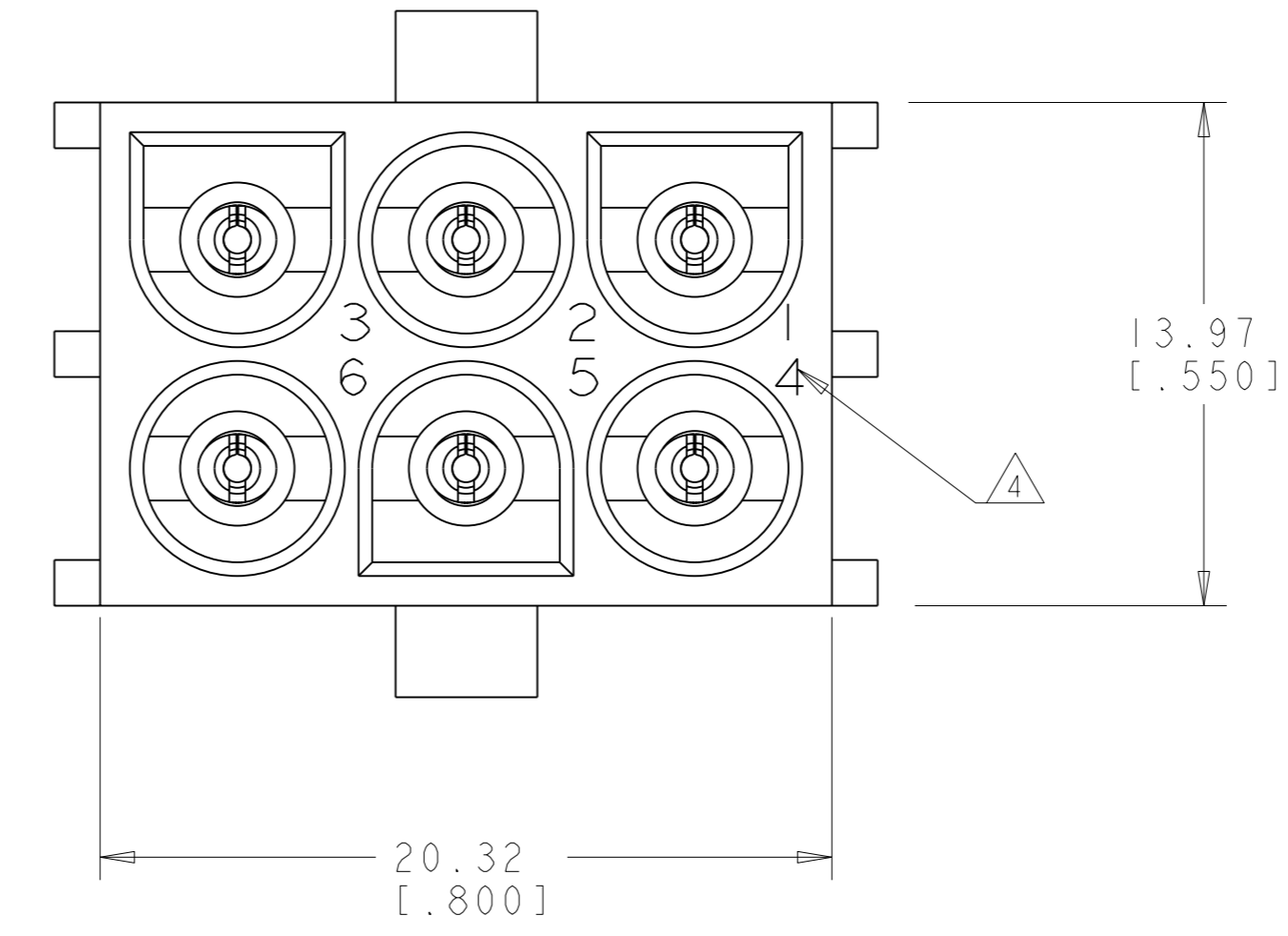
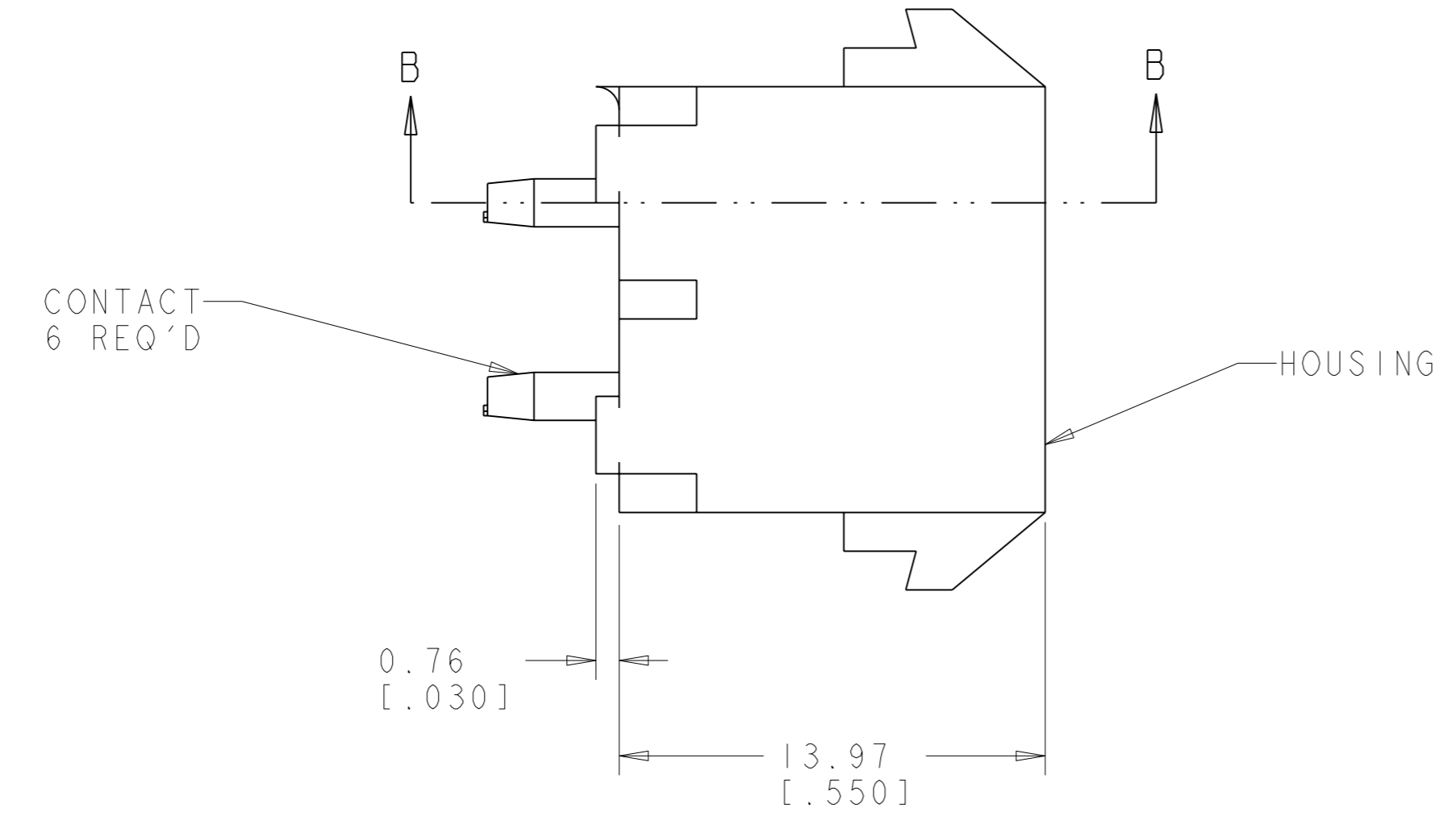
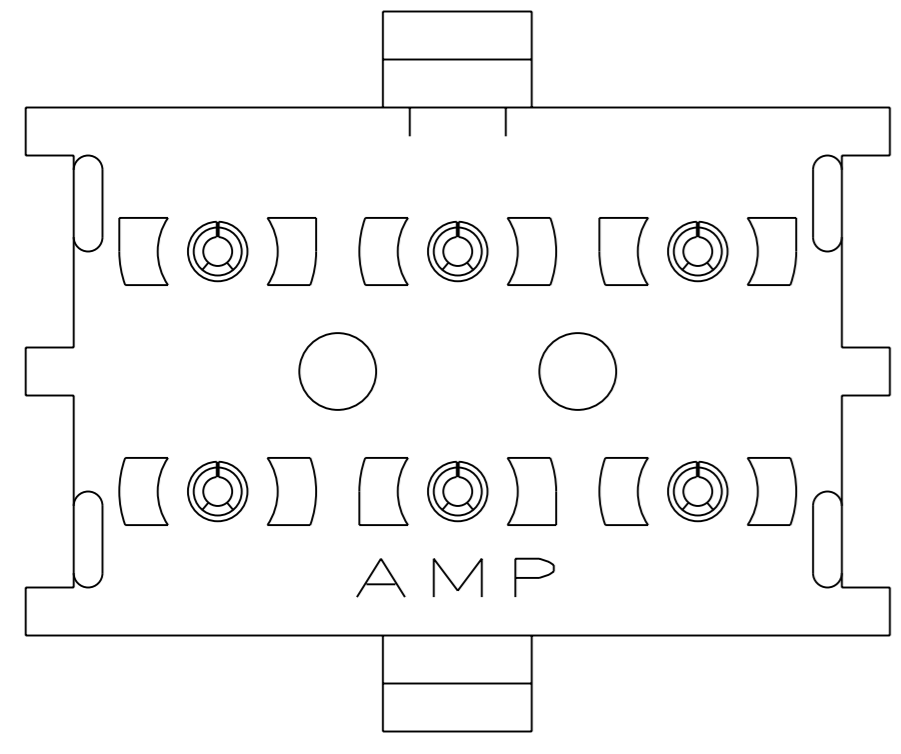
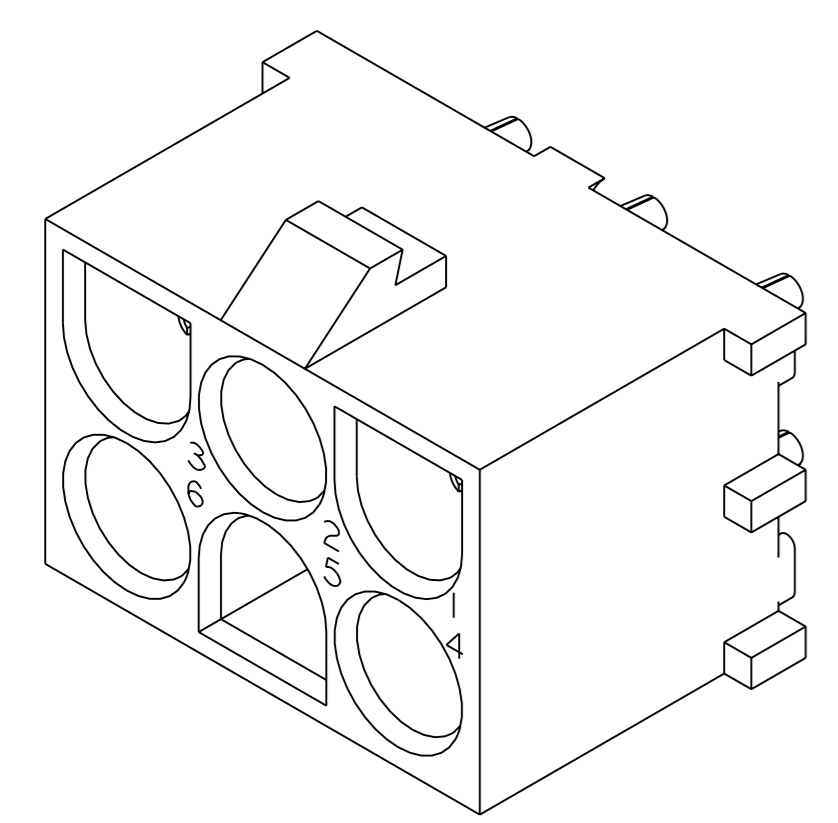
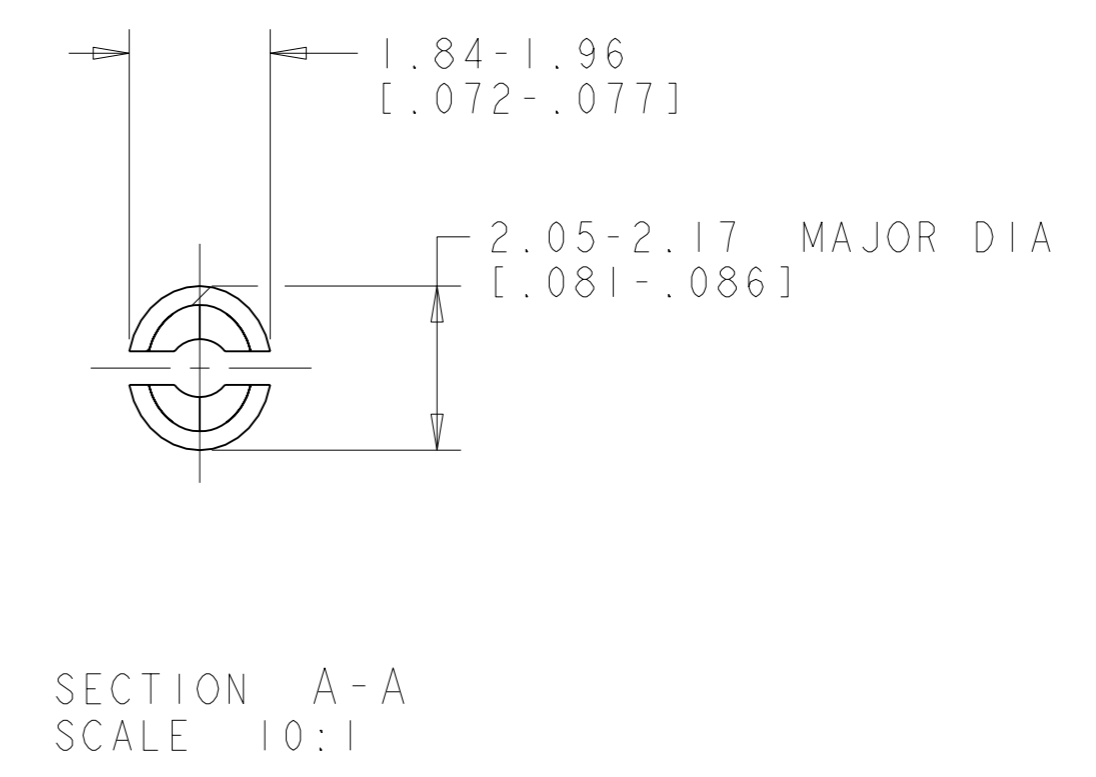
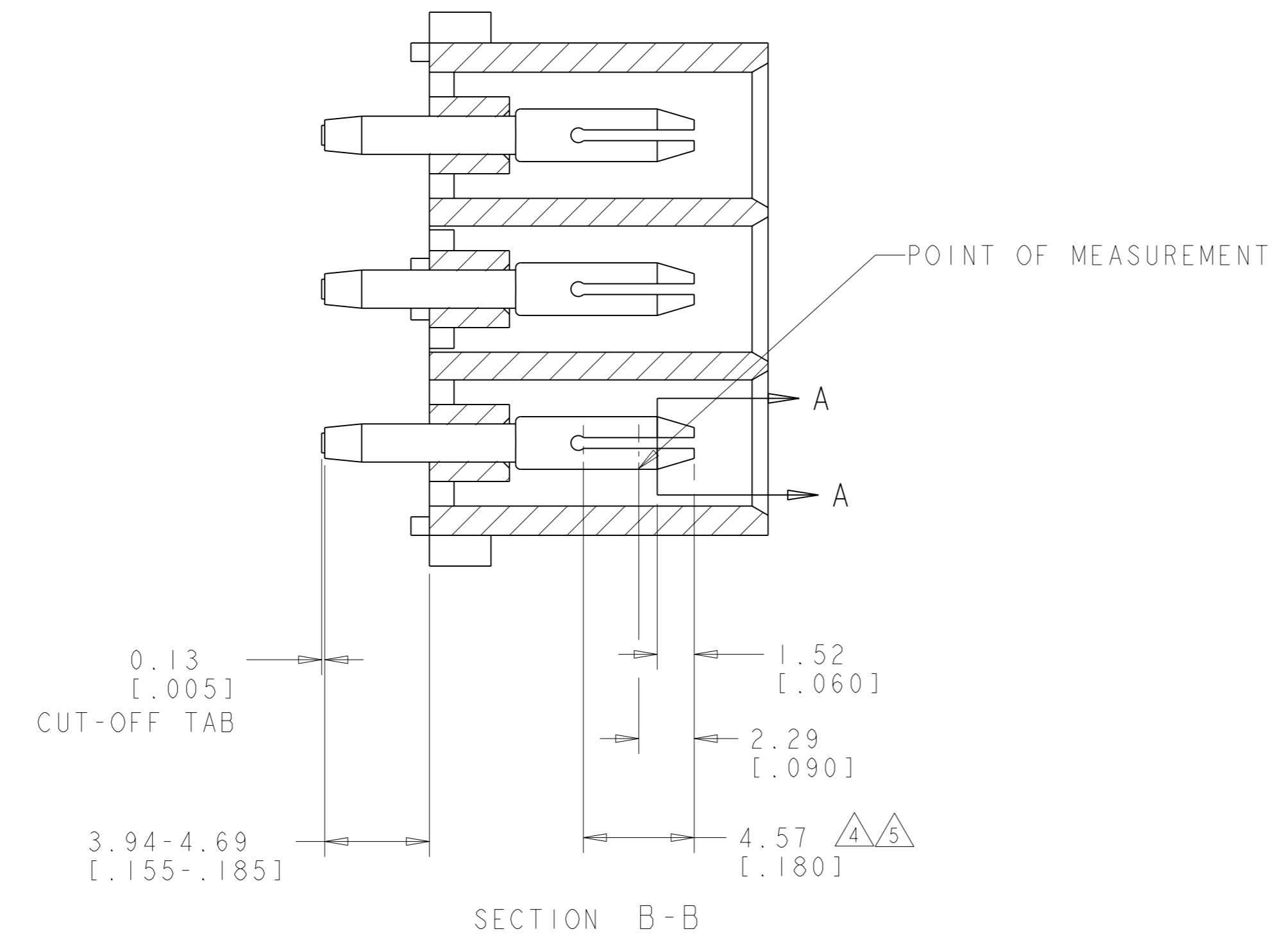


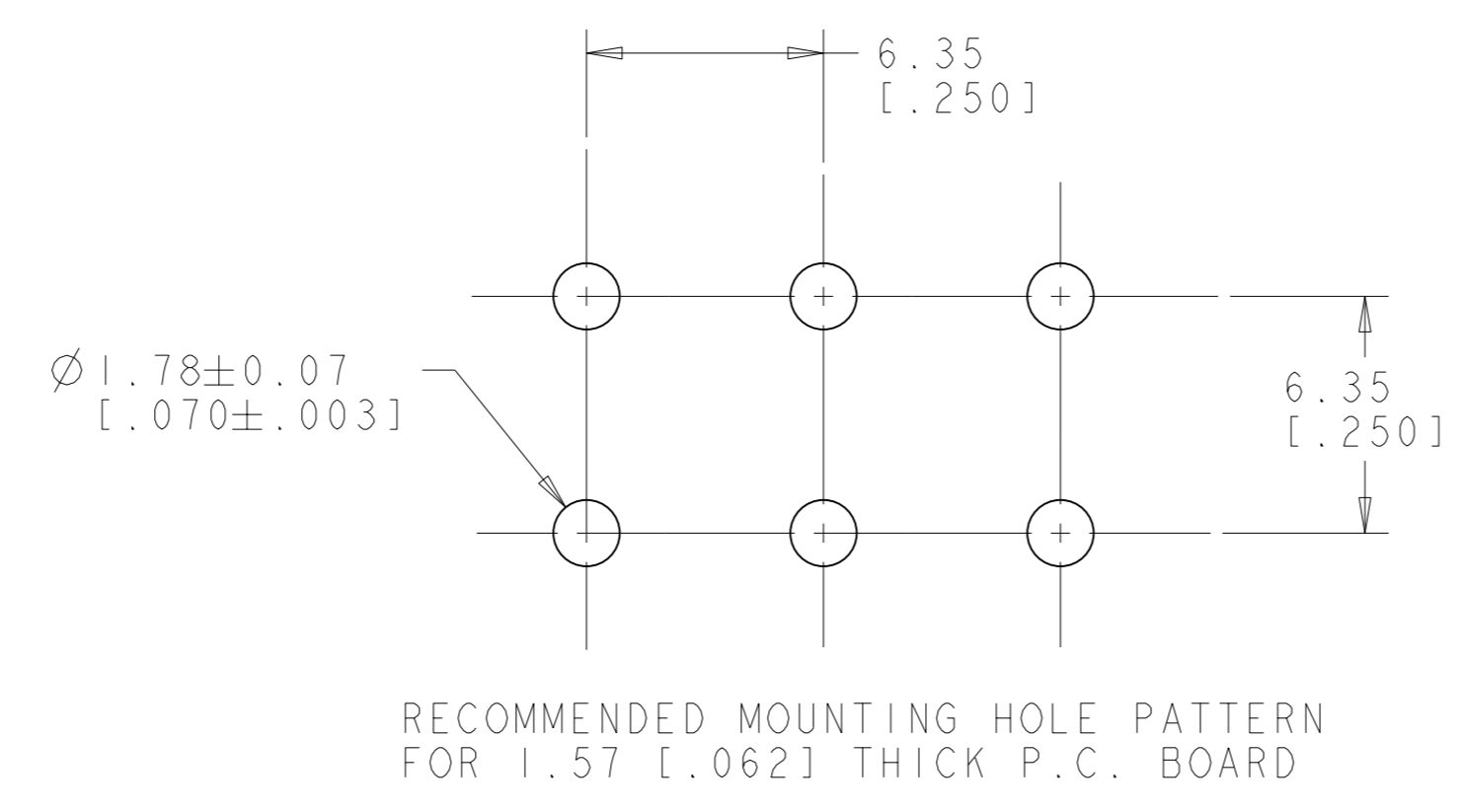
LOC		DIST		REVISIONS			
F	YR	DESCRIPTION	DATE	DWN	APVD	SR	
Y		REVISED PER 0G3B-1100-04	18JULY05	KW		SR	



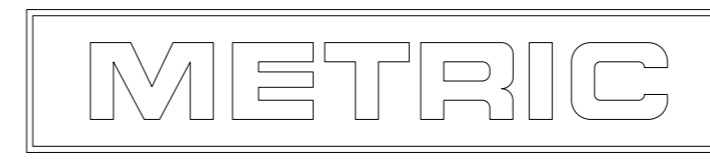
- PARTS MATE WITH HOUSING 480704.
- PARTS COMPLY TO AMP SOLDERABILITY SPECIFICATION 109-11-3.
- CIRCUIT IDENTIFICATION CHARACTERS ARE ADJACENT TO THE INDICATED CAVITIES, BUT LOCATION AND ORIENTATION MAY DIFFER FROM PRINT.
- CONTACT IS PLATED OVERALL WITH 0.00127 [.000050] NICKEL, THEN 0.00076 [.000030] GOLD OVER CONTACT LENGTH INDICATED AND TIN LEAD ON SOLDER TAIL END.
- CONTACT IS PLATED OVERALL WITH 0.00127 [.000050] NICKEL, THEN 0.00076 [.000030] GOLD OVER CONTACT LENGTH INDICATED AND MATTE TIN ON SOLDER TAIL END.
- DIMENSIONS IN BRACKETS ARE IN INCHES.



3 DIMENSIONAL MODEL
SCALE 4:1



PHOSPOR BRONZE, GOLD Δ	NYLON, UL94V-2, NATURAL	350431-4
PHOSPOR BRONZE, GOLD Δ	NYLON, UL94V-2, NATURAL	350431-2
PHOSPOR BRONZE, PRE-TIN	NYLON, UL94V-2, NATURAL	350431-1
PIN CONTACT MATERIAL AND FINISH	HOUSING MATERIAL AND COLOR	PART NUMBER



DIMS: mm [INCHES]		TOLERANCES UNLESS OTHERWISE SPECIFIED:		DWN: K. WHITAKER 18JULY2005		Tyco Electronics Harrisburg, PA 17105-3608	
0 PLC	±	1 PLC	±	CHK: S. RIDGILL 18JULY2005	NAME: PIN HEADER ASSEMBLY, 6 CIRCUIT, UNIVERSAL MATE-N-LOK™		
2 PLC	±0.13(.005)	3 PLC	±	APVD: S. RIDGILL 18JULY2005	SIZE: A	CAGE CODE: 00779	DRAWING NO: 350431
4 PLC	±	ANGLES	40° 30'	APPLICATION SPEC		RESTRICTED TO	
MATERIAL SEE TABLE		FINISH SEE TABLE		WEIGHT		SCALE: 5:1	SHEET 1 OF 1
CUSTOMER DRAWING				REV Y			