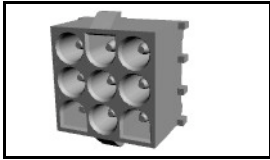


350432-1 Product Details

[Share](#) [Print](#) [Email](#)



350432-1

TE Internal Number: 350432-1

Active

[View 3D PDF](#)

.250" Centerline, 600 V, 19 - 36 A max

Always EU RoHS/ELV Compliant
(Statement of Compliance)

Product Highlights:

- Universal MATE-N-LOK Product Line
- Wire-to-Board
- Applies To Printed Circuit Board
- Connector
- Header

[View all Features](#)

Quick Links

- ▶ [Pricing & Availability](#)
- ▶ [Search for Tooling](#)
- ▶ [View Mating Products \(2\)](#)
- ▶ [Product Feature Selector](#)
- ▶ [Contact Us About This Product](#)

[Add to My Part List](#) [Request Sample](#) [Find Similar Products](#)
[Buy Product](#)

Documentation & Additional Information	
<p>Product Drawings:</p> <ul style="list-style-type: none"> • PIN HEADER ASSEMBLY, 9 CIRCUIT, UNIVERSAL MATE-N-LOK (PDF, English) <p>Catalog Pages/Data Sheets:</p> <ul style="list-style-type: none"> • SOFT_SHELL_PIN_SOCKET_CONNECTORS_STANDARD_DENSITY (PDF, English) <p>Product Specifications:</p> <ul style="list-style-type: none"> • None Available <p>Application Specifications:</p> <ul style="list-style-type: none"> • Universal MATE-N-LOK Connectors (PDF, English) <p>Instruction Sheets:</p> <ul style="list-style-type: none"> • Universal MATE-N-LOK Connectors (PDF, English) <p>CAD Files: (CAD Format & Compression Information)</p> <ul style="list-style-type: none"> • 2D Drawing (DXF, Version W) • 3D Model (IGES, Version W) • 3D Model (STEP, Version W) 	<p>Additional Information:</p> <ul style="list-style-type: none"> • Product Line Information <p>Related Products:</p> <ul style="list-style-type: none"> • Tooling • Mating Products (2)

[List all Documents](#)

Product Features (Please use the Product Drawing for all design activity)	
<p>Product Type Features:</p> <ul style="list-style-type: none"> • Product Line = Universal MATE-N-LOK • Product Type = Connector • Connector Type = Header • Termination Method to Wire/Cable = Solder • PCB Mounting Orientation = Vertical • PCB Mount Retention = Without • PCB Mount Alignment = Without • Strain Relief = Without • Sealed = No • Termination Method to PC Board = Through Hole - Solder • UL File Number = E28476 • CSA File Number = LR 7189 <p>Mechanical Attachment:</p>	<p>Housing Features:</p> <ul style="list-style-type: none"> • Connector Style = Plug • Centerline (mm [in]) = 6.35 [0.2499] • Housing Material = Nylon • Housing Color = Natural • UL Flammability Rating = UL 94V-2 • Mating Alignment = With • Mating Alignment Type = Polarization <p>Configuration Features:</p> <ul style="list-style-type: none"> • Number of Positions = 9 • Number of Rows = 3 <p>Industry Standards:</p> <ul style="list-style-type: none"> • Agency/Standard = UL, CSA • RoHS/ELV Compliance = RoHS compliant, ELV compliant

- Contact Retention = Without
- Mating Retention Type = Positive Lock
- Panel Mount Retention = Without

Electrical Characteristics:

- Contact - Rated Current (A) = 12
- Operating Voltage Reference = AC
- Operating Voltage (VAC) = 600

Termination Features:

- Tail Length (mm [in]) = 3.56 [0.14]

Dimensions:

- PCB Thickness, Recommended (mm [in]) = 1.57 [0.062]

Body Features:

- Mating Retention = With
- Row-to-Row Spacing (mm [in]) = 6.35 [0.250]
- Assembly Integration Feature = Without

Contact Features:

- Contact Type = Pin
- Contact Layout = Matrix
- Contact Base Material = Phosphor Bronze
- Contact Plating, Mating Area, Material = Pre-Tin
- Tail Plating Material = Pre-Tin
- Multiple Contact Types = Without

- [Lead Free Solder Processes](#) = Wave solder capable to 260°C, Wave solder capable to 240°C, Wave solder capable to 265°C
- RoHS/ELV Compliance History = Always was RoHS compliant
- VDE Tested = Yes
- UL Rating = Recognized
- CSA Rating = Certified

Environmental:

- Operating Temperature (°C [°F]) = -55 - +105 [-67 - +221]

Conditions for Usage:

- Applies To = Printed Circuit Board
- Glow Wire Rating = Standard Part - Not Glow Wire
- For Use With = Mates with Plug Housing (Using Socket Contacts)

Operation/Application:

- Application Use = Wire-to-Board

Packaging Features:

- Packaging Method = Bag
- Packaging Quantity = 100

Other:

- Brand = AMP

Corporate Information

- [About TE](#)
- [Investors](#)
- [News Room](#)
- [Supplier Portal](#)
- [Careers](#)
- [Terms & Conditions](#)
- [Privacy Policy](#)

Quick Links

- [Distributor Inventory](#)
- [Product Cross Reference](#)
- [Documents & Drawings](#)
- [Product Compliance Support Center](#)
- [Site Map](#)

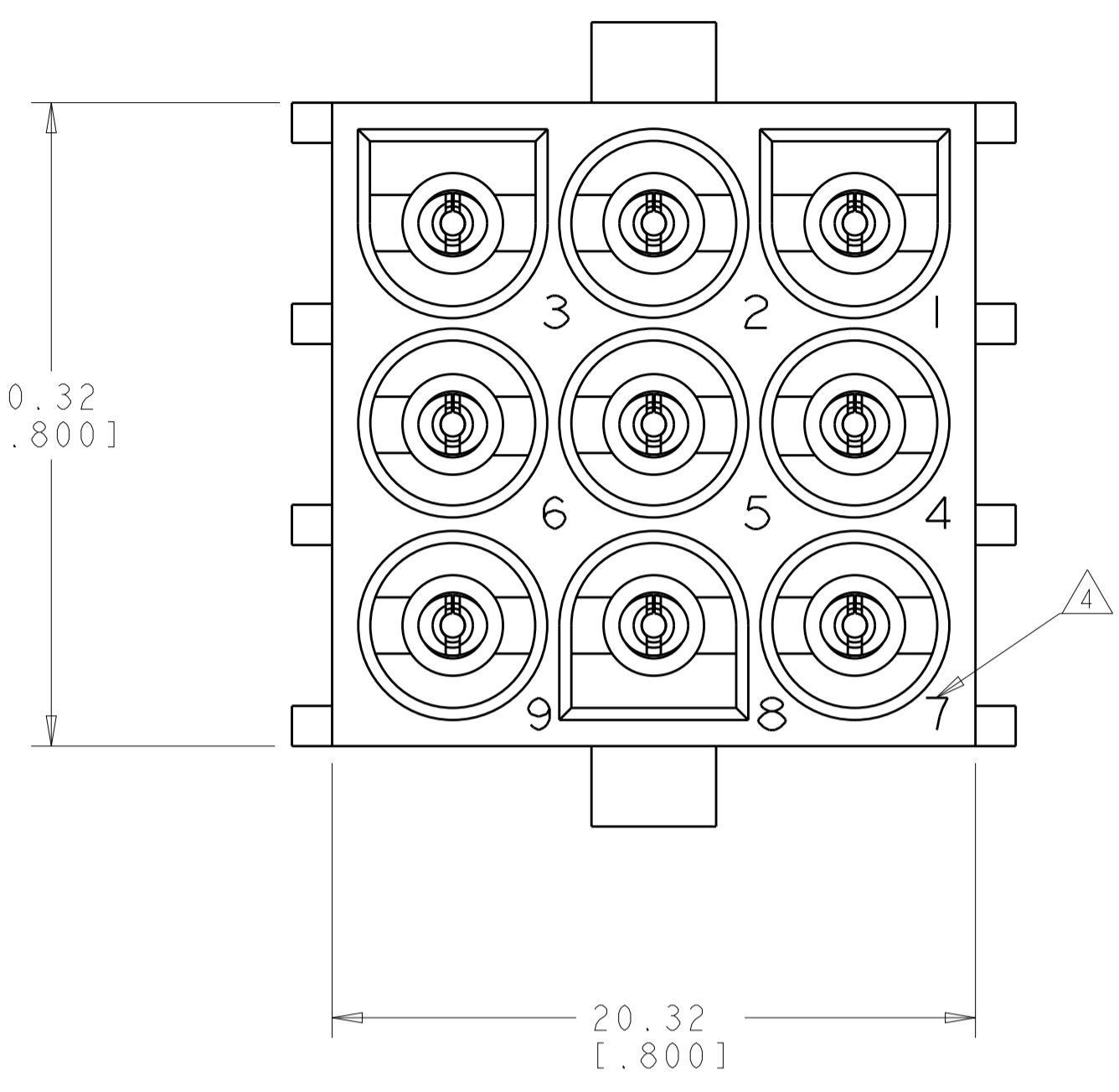
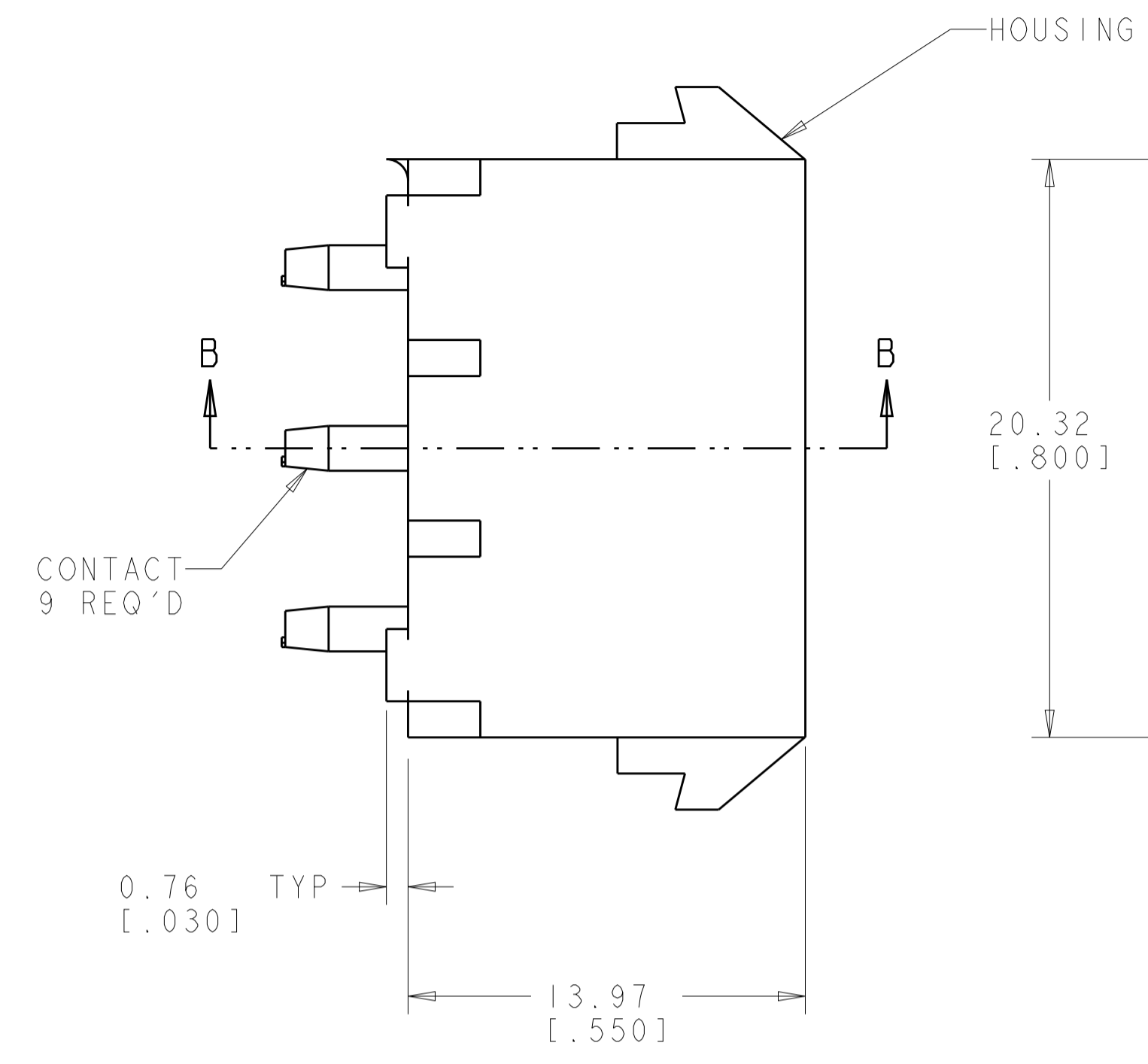
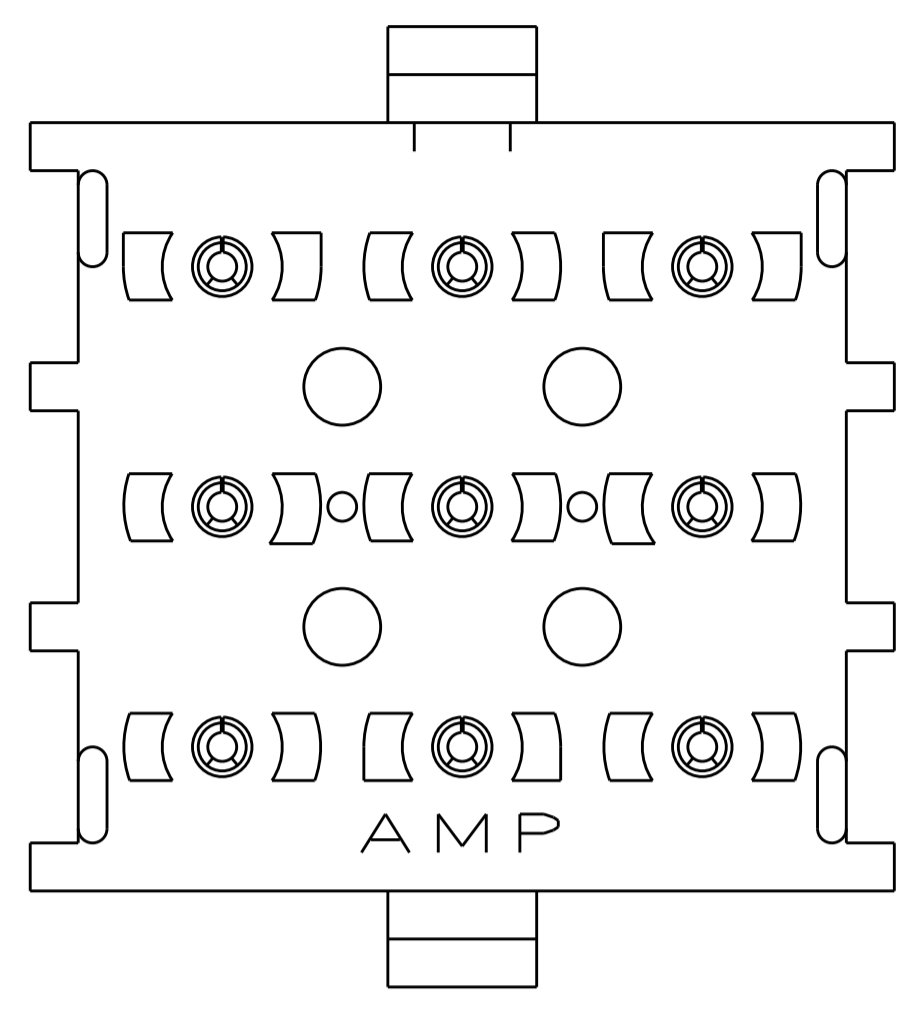
Customer Support

- [Email or Chat With Us](#)
- [Find a Phone Number](#)
- [Knowledge Base](#)
- [Manage Your Account](#)

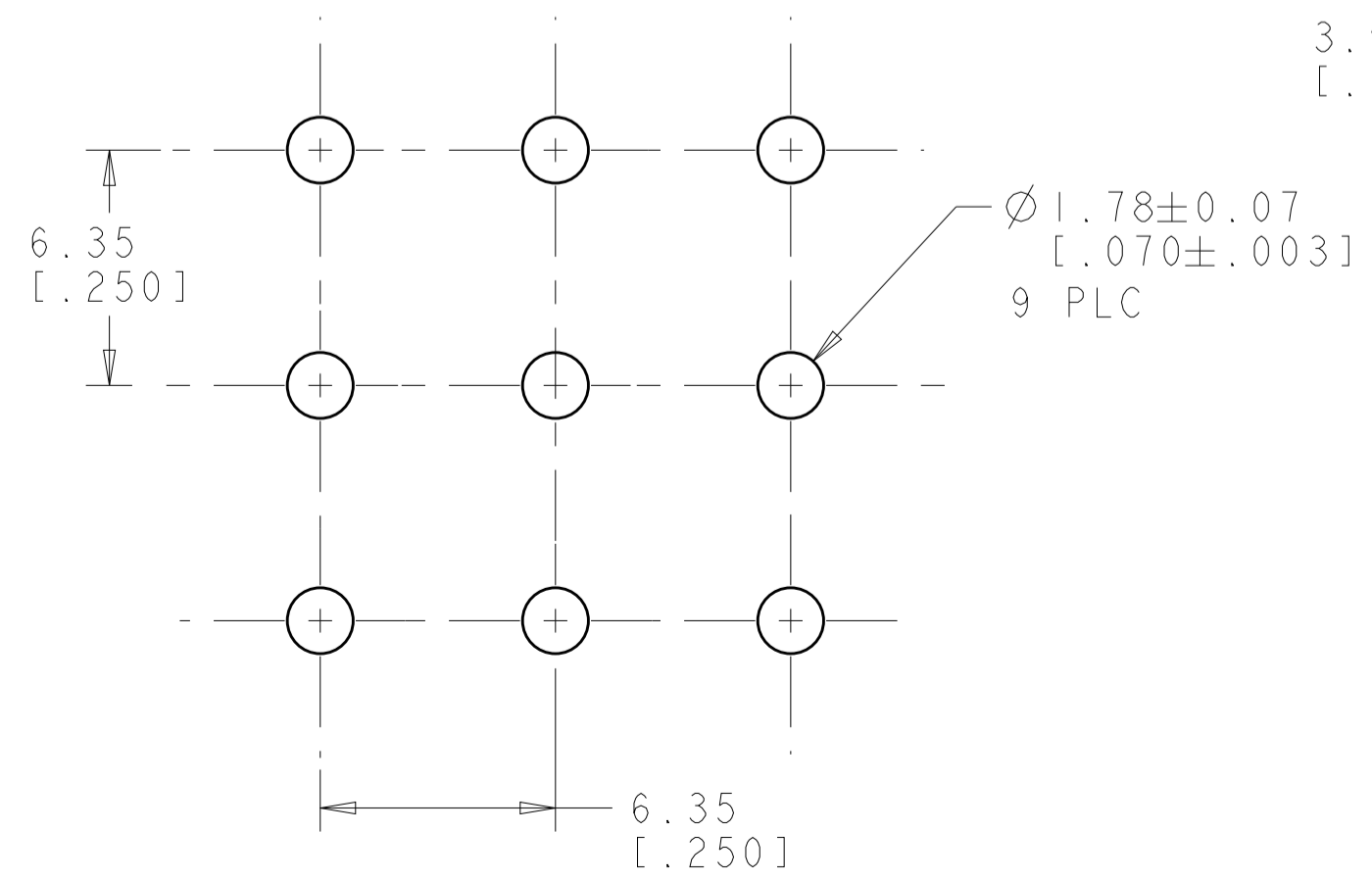
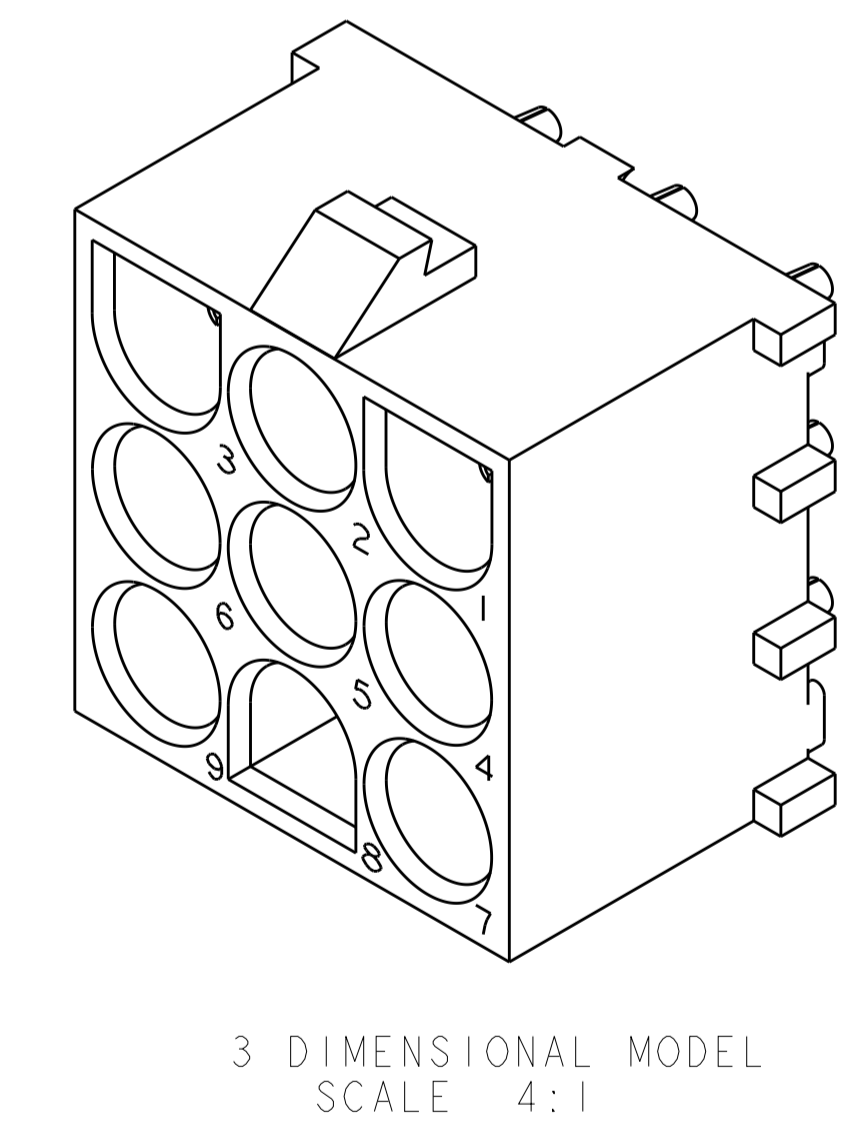
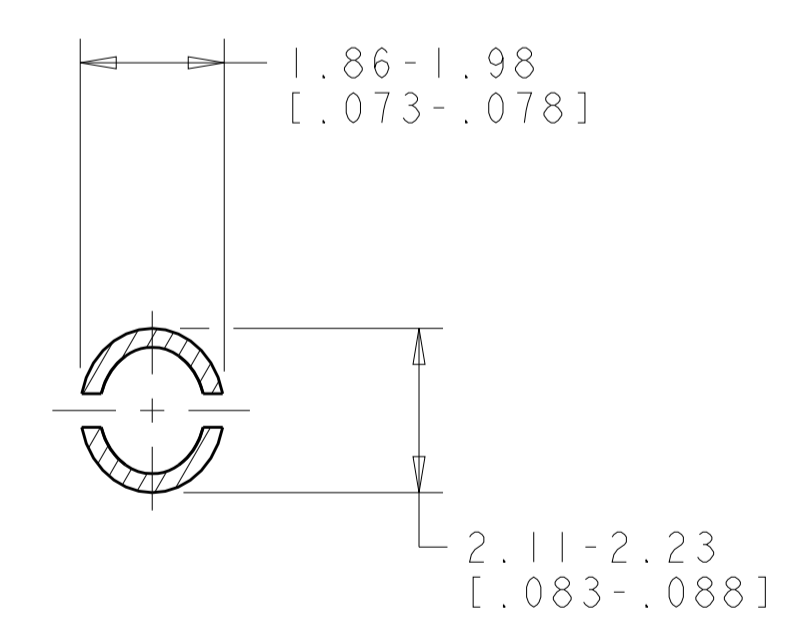
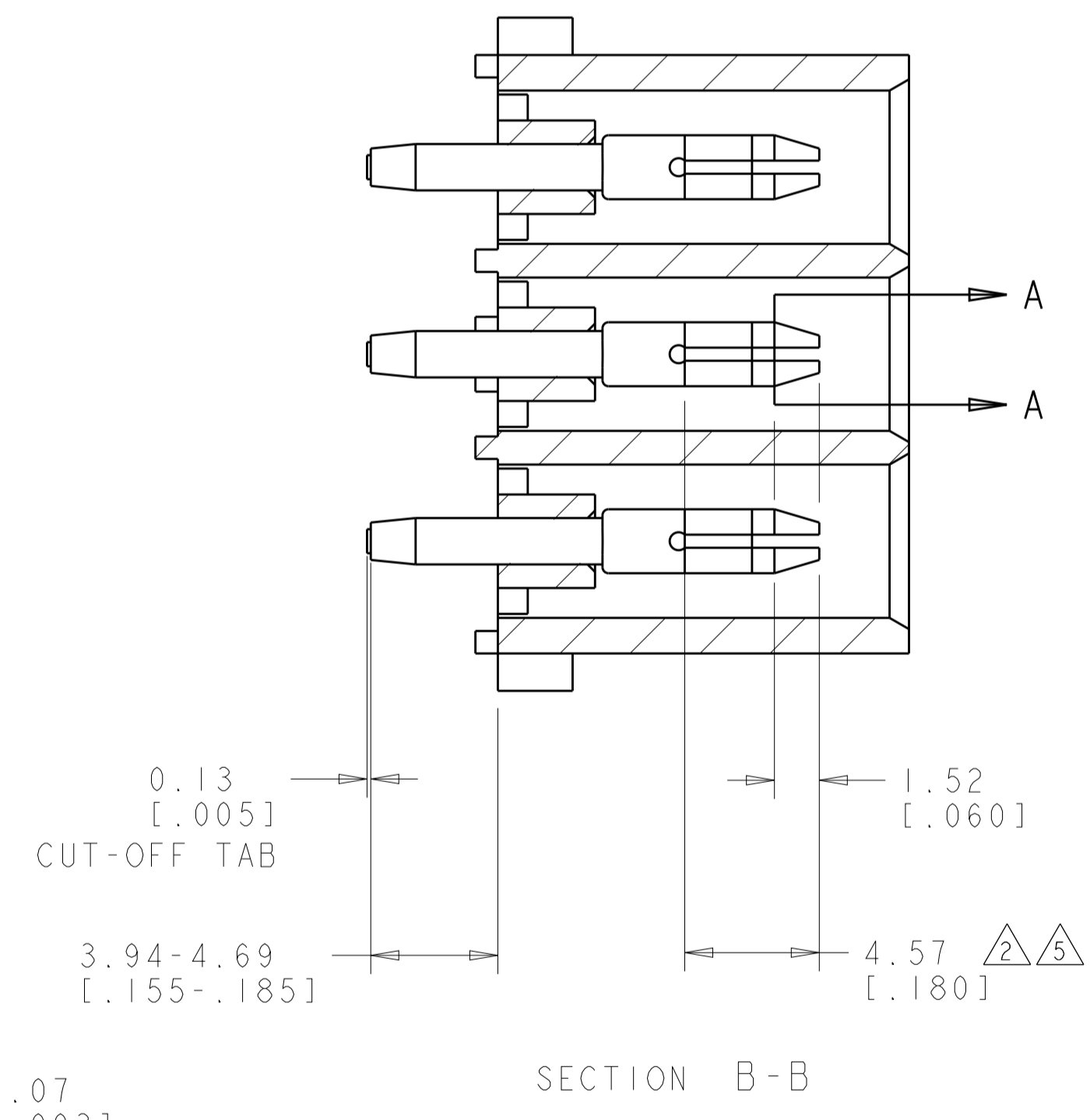
Keep Me Informed



LOC	DIST	REVISIONS			
		REV	DATE	BY	APP'D
CM	00	W2	24 JAN 2013	KH	TM

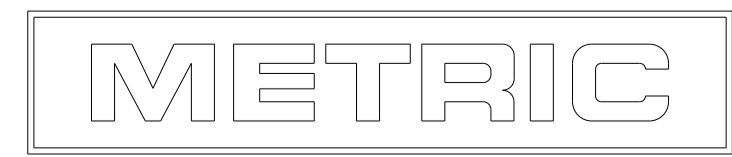


- PARTS COMPLY TO AMP SOLDERABILITY SPECIFICATION 109-11-3.
- CONTACT IS PLATED OVERALL WITH 0.00127 [.000050] NICKEL, THEN 0.00076 [.000030] GOLD OVER CONTACT LENGTH INDICATED AND TIN LEAD ON SOLDER TAIL END.
- MATES WITH HOUSING 480706.
- CIRCUIT IDENTIFICATION CHARACTERS ARE ADJACENT TO THE INDICATED CAVITIES, BUT LOCATION AND ORIENTATION MAY DIFFER FROM PRINT.
- CONTACT IS PLATED OVERALL WITH 0.00127 [.000050] NICKEL, THEN 0.00076 [.000030] GOLD OVER CONTACT LENGTH INDICATED AND MATTE TIN ON SOLDER TAIL END.
- DIMENSIONS IN BRACKETS ARE IN INCHES.
- SUPERSEDED BY 350432-4



RECOMMENDED MOUNTING HOLE PATTERN FOR 1.57 [.062] THICK P.C. BOARD

PHOSPOR BRONZE, GOLD $\Delta 5$	NYLON, UL94V-2, NATURAL	350432-4
$\Delta 1$ PHOSPOR BRONZE, GOLD $\Delta 2$	NYLON, UL94V-2, NATURAL	350432-2
PHOSPOR BRONZE, PRE-TIN	NYLON, UL94V-2, NATURAL	350432-1
PIN CONTACT MATERIAL AND FINISH	HOUSING MATERIAL AND COLOR	PART NUMBER



THIS DRAWING IS A CONTROLLED DOCUMENT.		OWN: R. WHITAKER 19 JULY 2005	TE Connectivity
DIMENSIONS: mm [INCHES]		CHK: S. RIDGILL 19 JULY 2005	
TOLERANCES UNLESS OTHERWISE SPECIFIED:		APP'D: S. RIDGILL 19 JULY 2005	
0 PLC ± 1 PLC ±0.131(.005) 2 PLC ± 3 PLC ± 4 PLC ± ANGLES ±40°/30°		NAME: PIN HEADER ASSEMBLY, 9 CIRCUIT, UNIVERSAL MATE-N-LOK TM	
MATERIAL: SEE TABLE	FINISH: SEE TABLE	SIZE: A1	RESTRICTED TO
CUSTOMER DRAWING		SCALE: 5:1	SHEET 1 OF 1