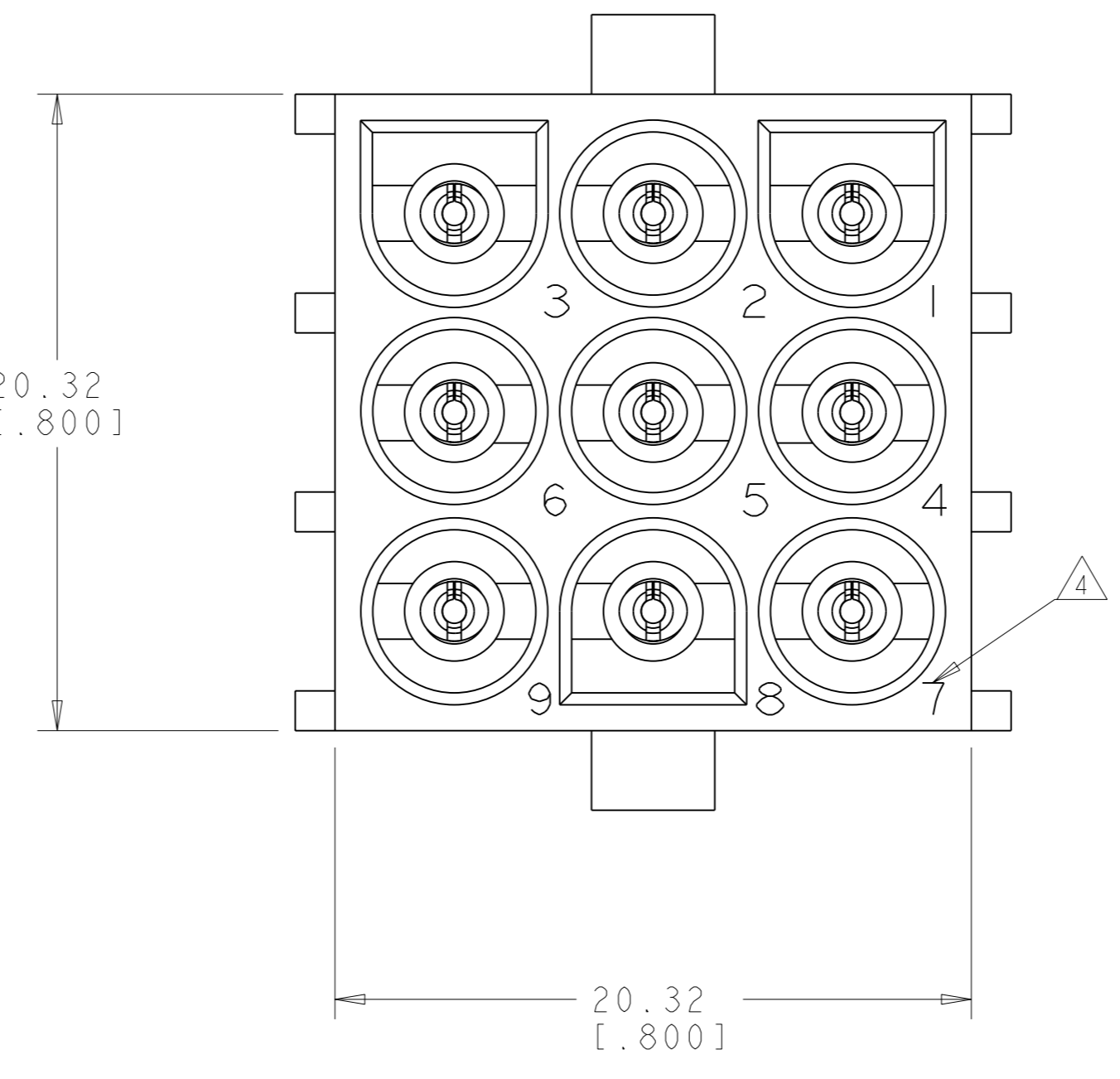
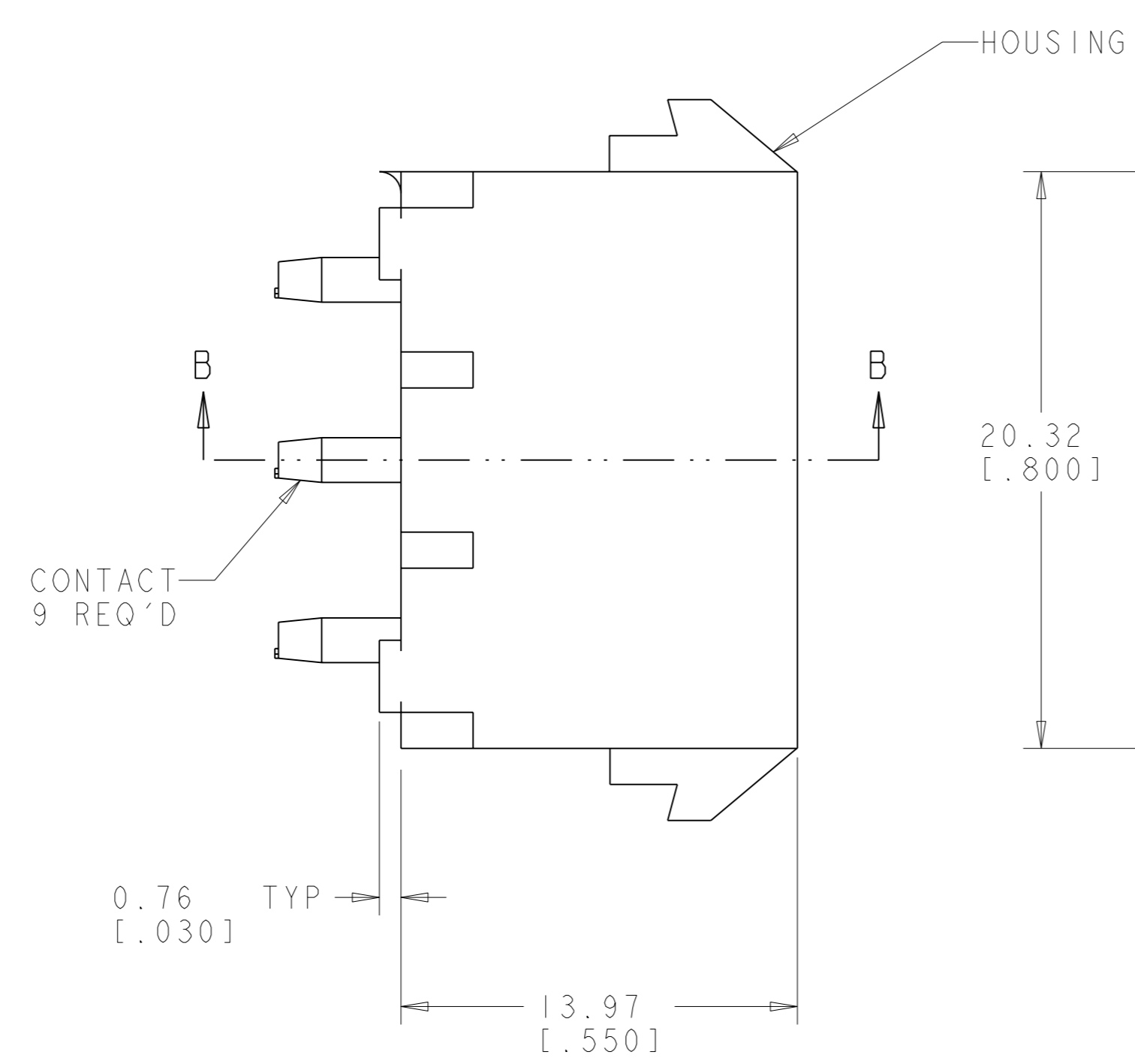
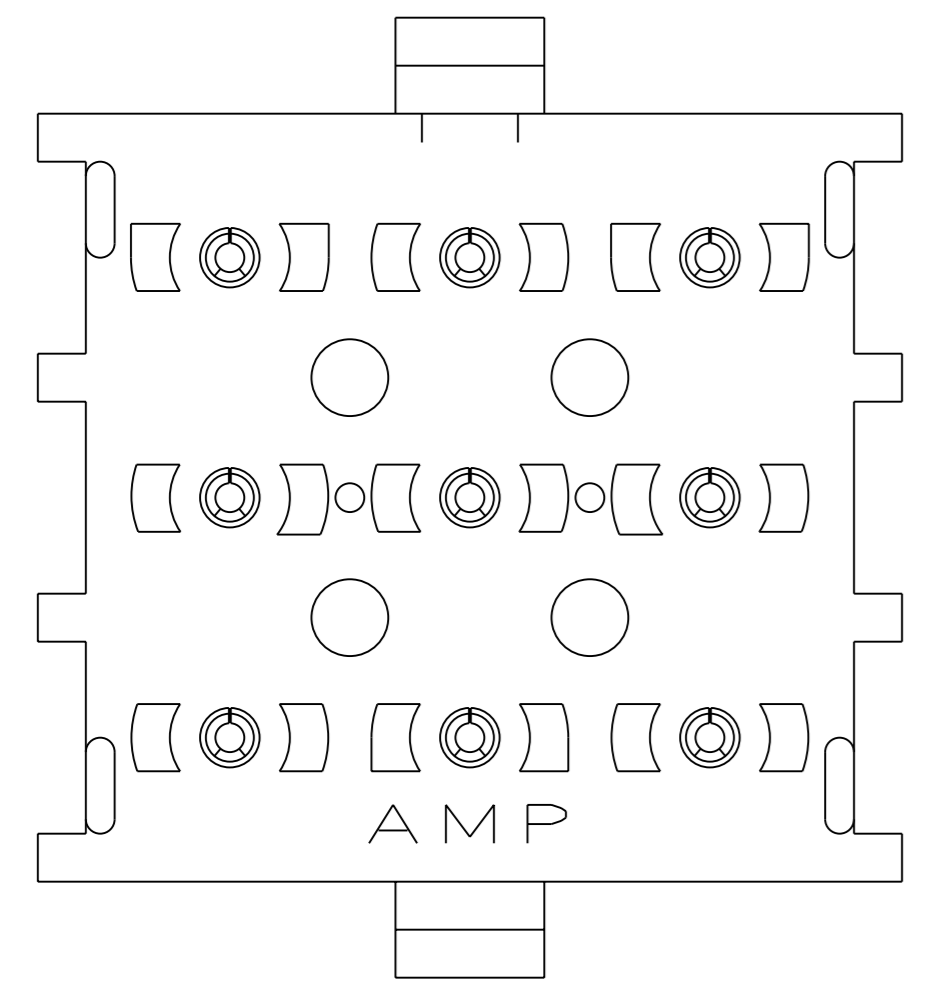
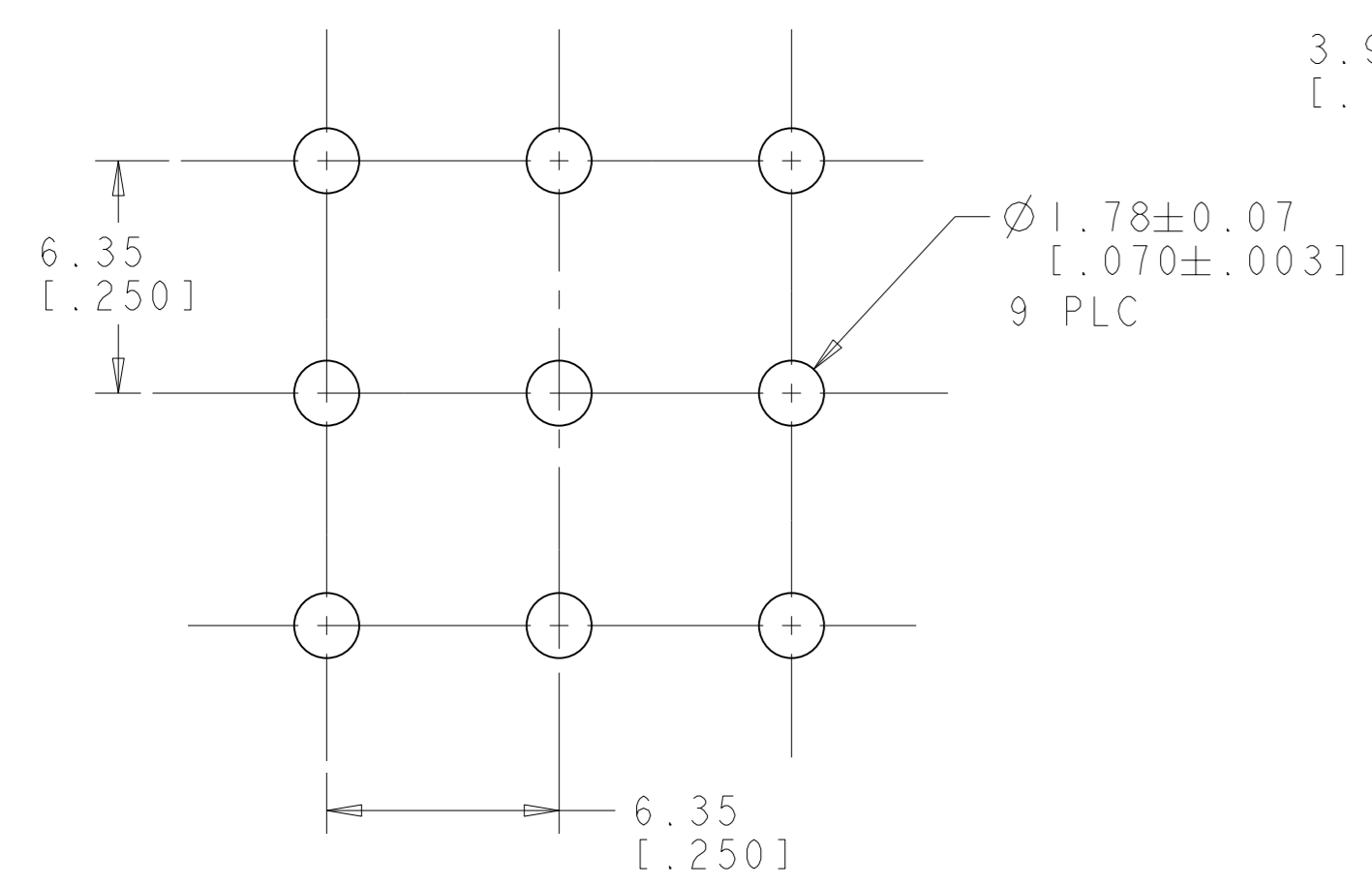
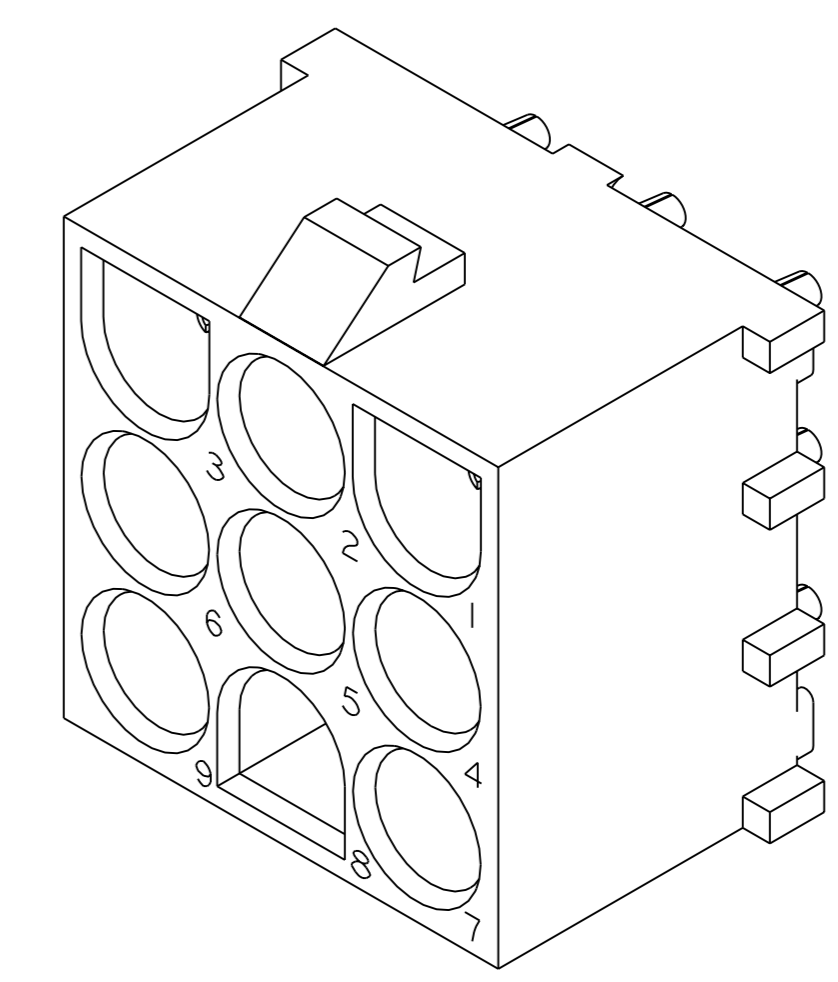
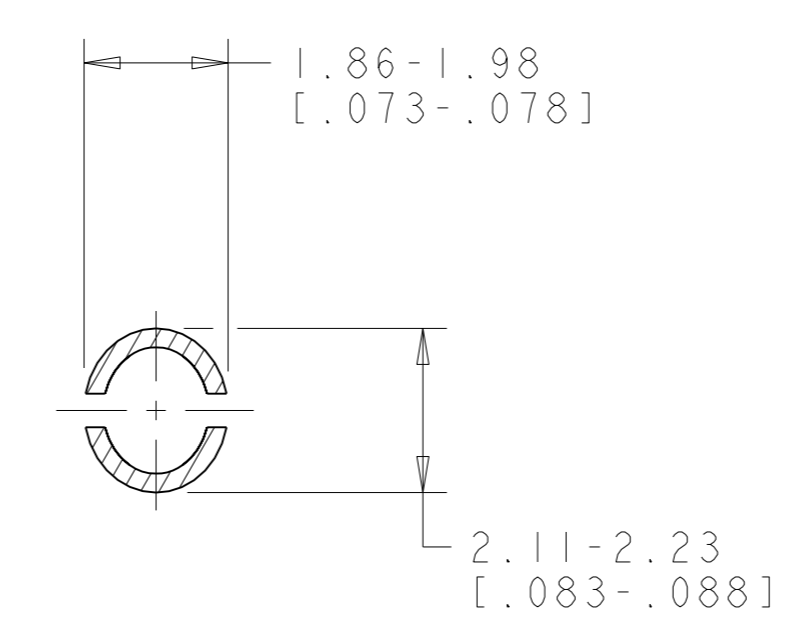
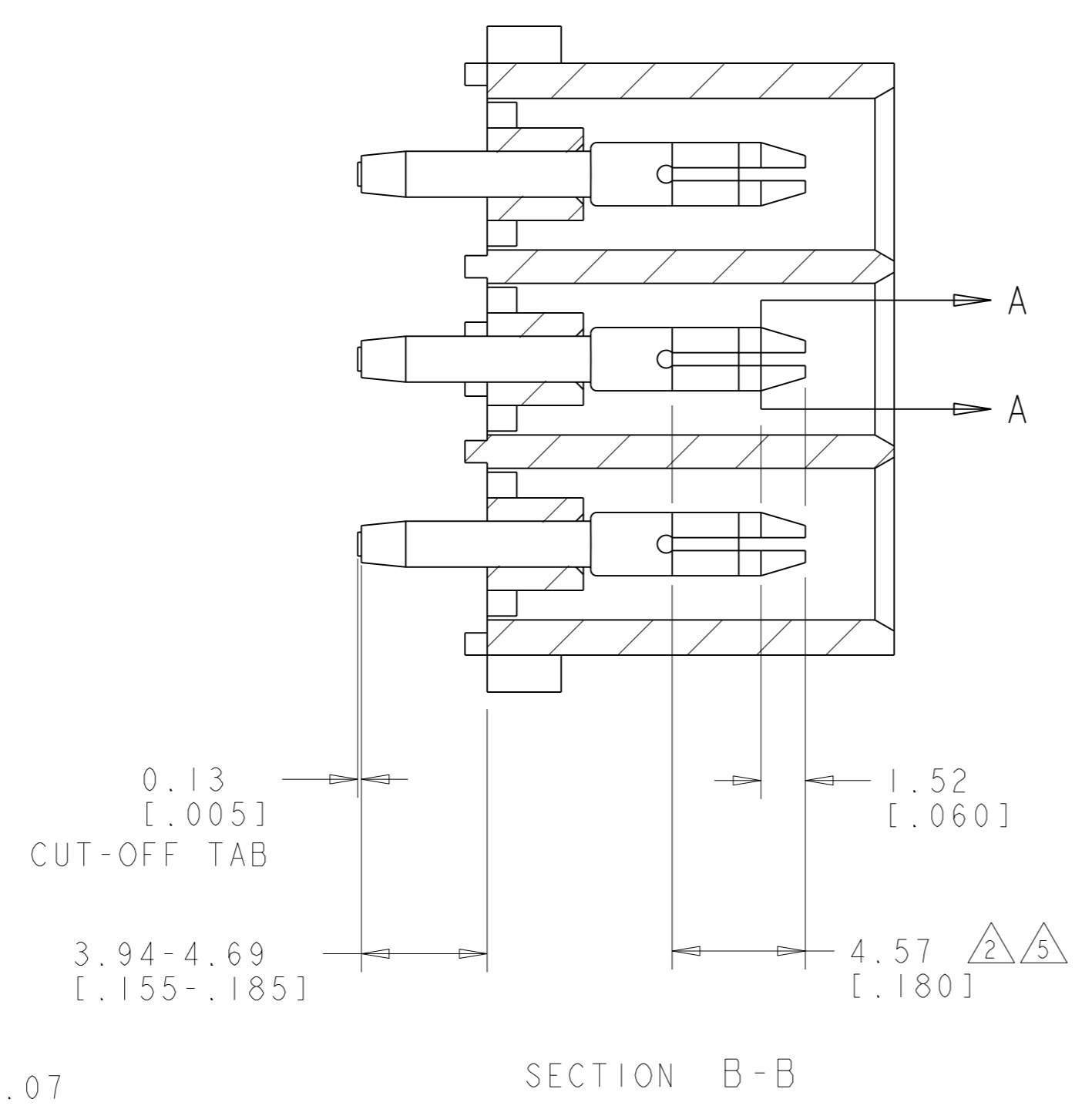


LOC		DIST		REVISIONS				
F	W	LTR	REVISED PER	DESCRIPTION	DATE	DWN	APVD	
	W		OG3B-1100-04		19JULY05	KW	SR	



1. PARTS COMPLY TO AMP SOLDERABILITY SPECIFICATION 109-11-3.
2. CONTACT IS PLATED OVERALL WITH 0.00127 [.000050] NICKEL, THEN 0.00076 [.000030] GOLD OVER CONTACT LENGTH INDICATED AND TIN LEAD ON SOLDER TAIL END.
3. MATES WITH HOUSING 480706.
4. CIRCUIT IDENTIFICATION CHARACTERS ARE ADJACENT TO THE INDICATED CAVITIES, BUT LOCATION AND ORIENTATION MAY DIFFER FROM PRINT.
5. CONTACT IS PLATED OVERALL WITH 0.00127 [.000050] NICKEL, THEN 0.00076 [.000030] GOLD OVER CONTACT LENGTH INDICATED AND MATTE TIN ON SOLDER TAIL END.
6. DIMENSIONS IN BRACKETS ARE IN INCHES.



RECOMMENDED MOUNTING HOLE PATTERN FOR 1.57 [.062] THICK P.C. BOARD

PHOSPOR BRONZE, GOLD	NYLON, UL94V-2, NATURAL	350432-4
PHOSPOR BRONZE, GOLD	NYLON, UL94V-2, NATURAL	350432-2
PHOSPOR BRONZE, PRE-TIN	NYLON, UL94V-2, NATURAL	350432-1
PIN CONTACT MATERIAL AND FINISH	HOUSING MATERIAL AND COLOR	PART NUMBER

METRIC

DIMENSIONS: mm [INCHES]		TOLERANCES UNLESS OTHERWISE SPECIFIED:		DWN: K. WHITAKER 19JULY2005		Tyco Electronics Harrisburg, PA 17105-3608	
0 PLC	±	0.13 (.005)	±	CHK: S. RIDGILL 19JULY2005	NAME: S. RIDGILL	PIN HEADER ASSEMBLY, 9 CIRCuits, UNIVERSAL MATE-N-LOK™	
1 PLC	±	0.13 (.005)	±	APVD: S. RIDGILL 19JULY2005	PRODUCT SPEC:	SIZE: A	CAGE CODE: 00779
2 PLC	±	0.13 (.005)	±	APPLICATION SPEC:	SCALE: 5:1	SHEET: 1	OF: 1
3 PLC	±	0.13 (.005)	±	WEIGHT:	REV: W	CUSTOMER DRAWING	
4 PLC	±	0.13 (.005)	±	RESTRICTED TO			