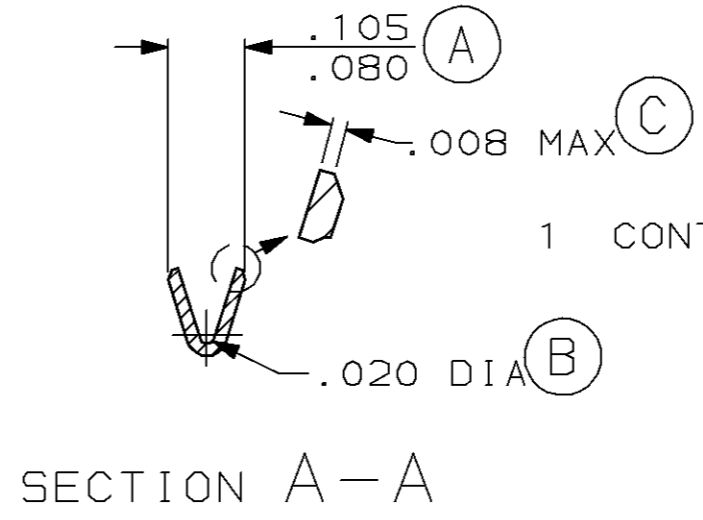
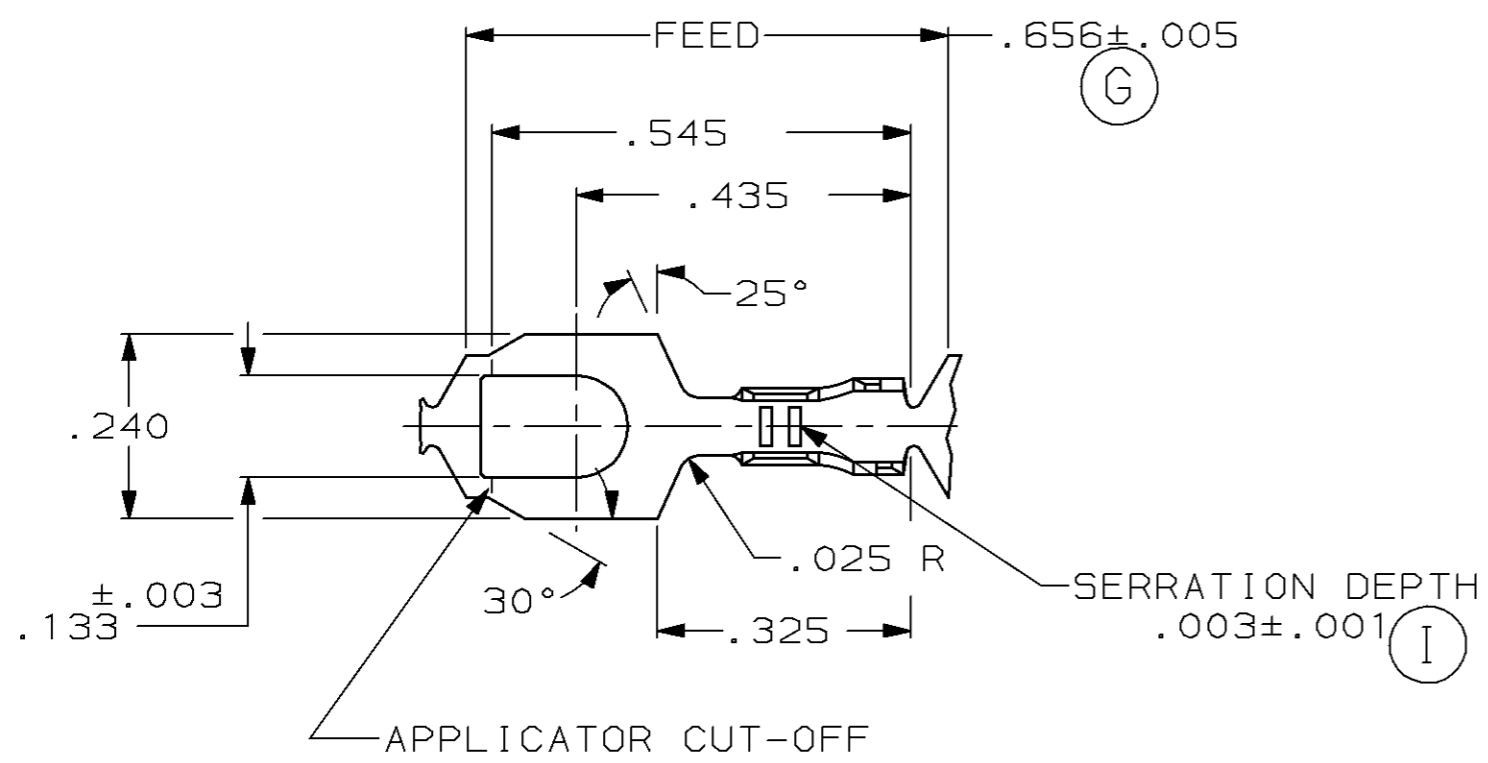
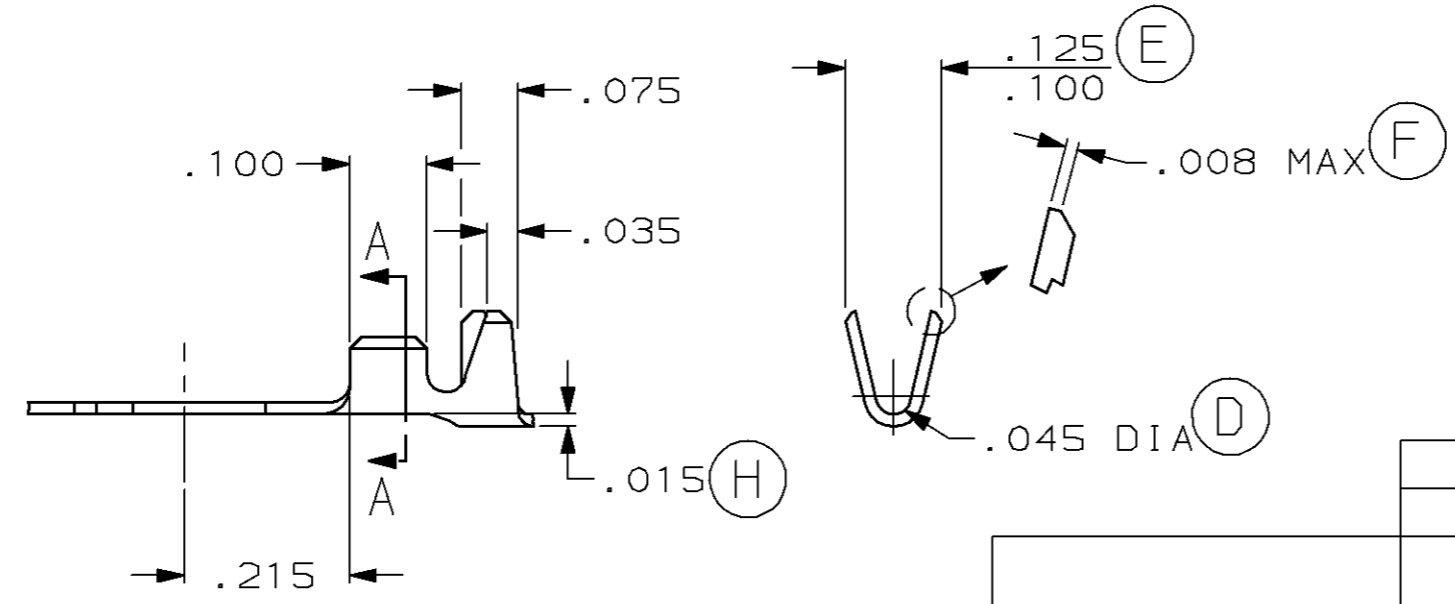


THIS DRAWING IS UNPUBLISHED. RELEASED FOR PUBLICATION, 19 .  
 © COPYRIGHT 19 BY AMP INCORPORATED, HARRISBURG, PA. ALL INTERNATIONAL RIGHTS RESERVED. AMP PRODUCTS MAY BE COVERED BY U.S. AND FOREIGN PATENTS AND/OR PATENTS PENDING.

LOC	DIST	P	F	ZONE	LTR	DESCRIPTION	DATE	APPROVED
AF	50				G1	-	2/15/94	PMF/GY



1 CONTINUOUS STRIP ON REELS.



.003	.0035	I
.012	.014	H
.656	.657	G
.004	.003	F
.118	.118	E
.043	.045	D
.006	.006	C
.019	.020	B
.093	.091	A
BAD	GOOD	CHARACTERISTIC

	NONE	.045/.035	#28 -#22	350502-2
	PRE-TIN			350502-1
	FINISH	INSULATION RANGE	WIRE RANGE	PART NO
UNLESS OTHERWISE SPECIFIED DIMENSIONS ARE IN INCHES TOLERANCES ON: 2 PL DEC ± 3 PL DEC ± .015 ANGLES ±	DR 2/15/94 PHILLIP FORTNEY	AMP INCORPORATED Harrisburg, Pa. 17105		
	CHK 2/15/94 GARY YETTER			
MATERIAL	APPD 2/15/94 GARY YETTER	NAME SPADE		
.016 BRASS	APPD 2/15/94 RON KUZO	SIZE B	FSCM NO 00779	DRAWING NO 350502
FINISH	PRODUCT SPEC	SCALE N.T.S.	SHEET 1 OF 1	
SEE TABLE	APPLICATION SPEC			
	WEIGHT			