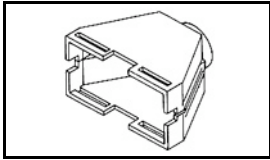


350524-1 Product Details

[Share](#) [Print](#) [Email](#)




350524-1

TE Internal Number: 350524-1

 Active

[View 3D PDF](#)

Soft Shell - Accessories

 Always EU RoHS/ELV Compliant
(Statement of Compliance)

Product Highlights:

- Accessory Type = Strain Relief
- Mini Rectangular
- Nylon Housing Material
- Color = Brick Red
- Number of Circuits = 24

[View all Features](#)

Quick Links

- ▶ [Pricing & Availability](#)
- ▶ [Search for Tooling](#)
- ▶ [Product Feature Selector](#)
- ▶ [Contact Us About This Product](#)

[Add to My Part List](#)

[Request Sample](#)

[Find Similar Products](#)

[Buy Product](#)

Documentation & Additional Information

Product Drawings:

- [24 POSITION STRAIN RELIEF, HINGED](#), (PDF, English)

Catalog Pages/Data Sheets:

- [SOFT_SHELL_PIN_AND_SOCKET_CONNECTORS_CATALOG](#) (PDF, English)

Product Specifications:

- None Available

Application Specifications:

- None Available

Instruction Sheets:

- [AMP* MINIATURE RECTANGULAR II \(MRII\) CONNECTORS](#) (PDF, English)

CAD Files: (CAD Format & Compression Information)

- [2D Drawing](#) (DXF, Version H)
- [3D Model](#) (IGES, Version H)
- [3D Model](#) (STEP, Version H)

[List all Documents](#)

Related Products:

- [Tooling](#)

Product Features (Please use the Product Drawing for all design activity)

Product Type Features:

- Accessory Type = Strain Relief
- Connector Line = Mini Rectangular
- Color = Brick Red

Dimensions:

- Inside Diameter (mm [in]) = 14.22 [0.560]

Contact Features:

- Contact Layout = Matrix

Housing Features:

- Housing Material = Nylon
- UL Flammability Rating = UL 94V-0

Configuration Features:

- Number of Circuits = 24

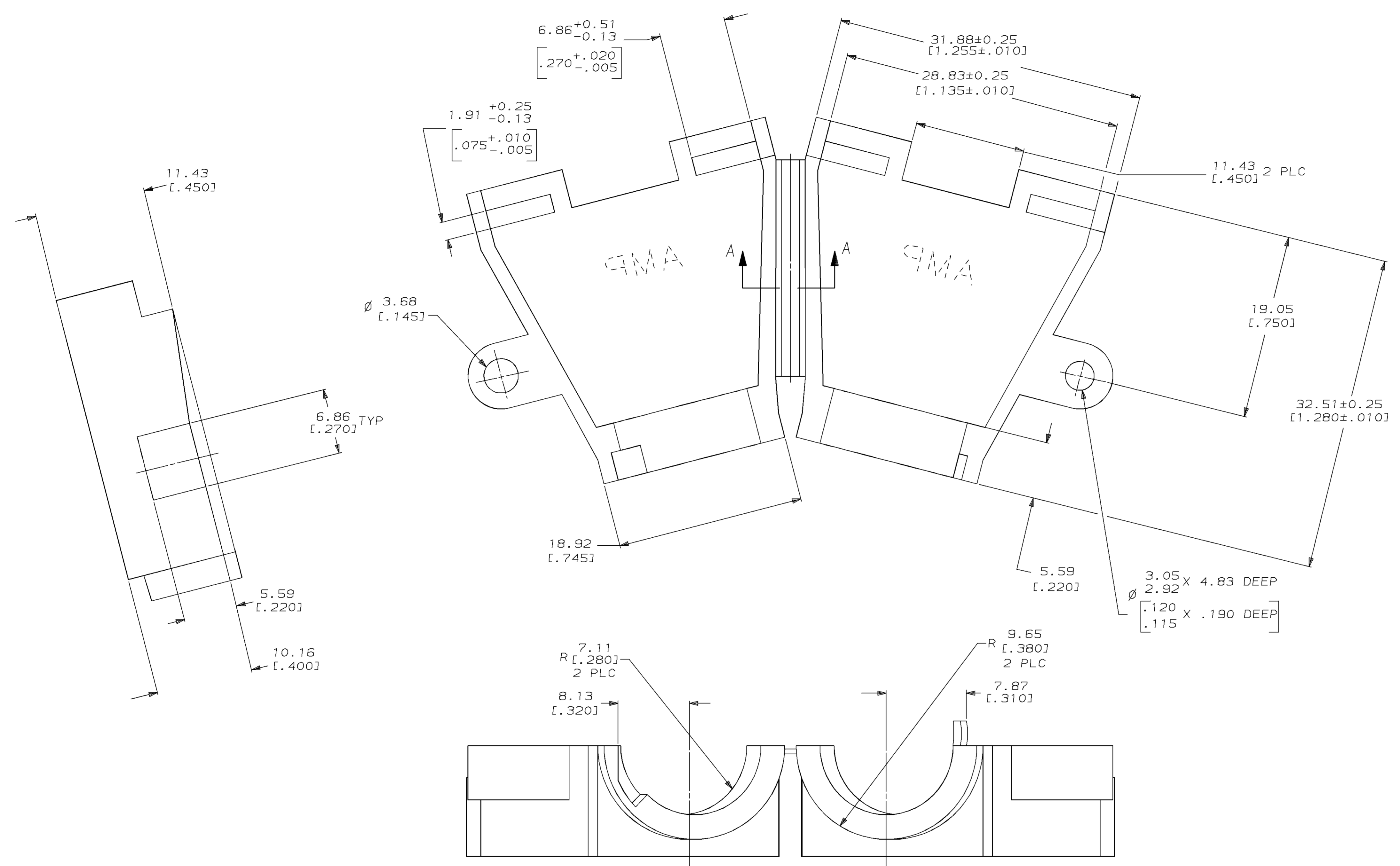
Industry Standards:

- RoHS/ELV Compliance = RoHS compliant, ELV compliant
- Lead Free Solder Processes = Not relevant for lead free process
- RoHS/ELV Compliance History = Always was RoHS compliant

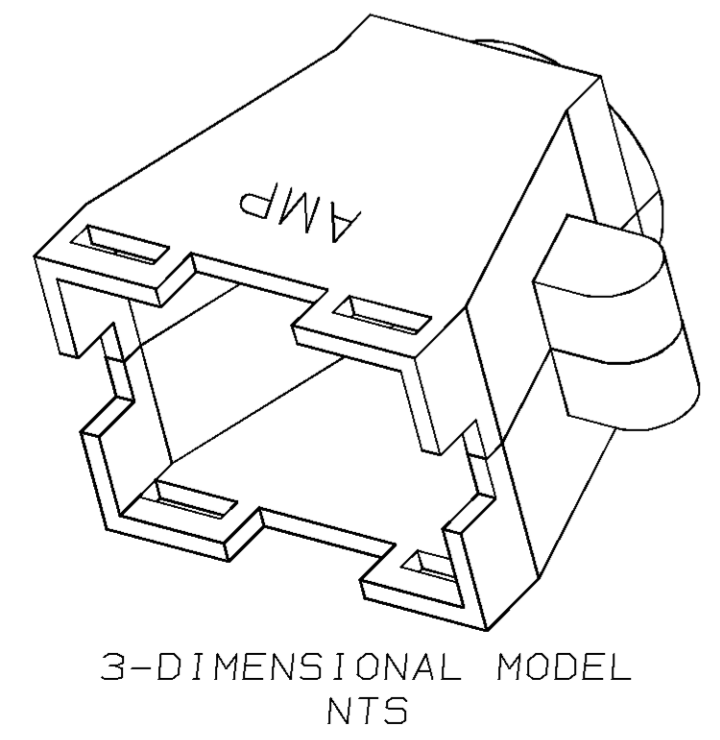
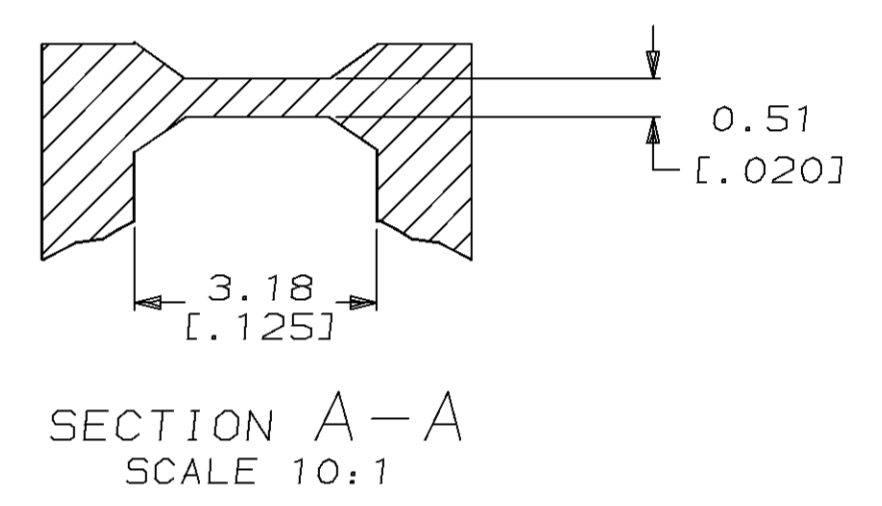
Other:

- Brand = AMP
- Comment = One piece - Clam Shell.

LOC		DIST		P		F		ZONE		LTR		REVISIONS			
CM	52											DESCRIPTION	DATE	APPD	
												H	REV & REDWN PER EC 0730-0072-94	9-17-93	KS



1. REQUIRES A #6 PAN HEAD TYPE "B" SELF TAPPING PAN HEAD SCREW, 9.53 [.375] LONG.
2. DIMENSIONS IN BRACKETS ARE IN INCHES.



BLACK	1-350524-9
BRICK RED	350524-1
COLOR	PART NO

DO NOT SCALE PRINT. UNLESS SPECIFIED DIMENSIONS IN mm [INCHES] TOLERANCES ON: 2 PLC DEC ± 0.13 [.005] 3 PLC DEC ± - ANGLES ± -	DR 9-17-93 K. SALMON	AMP AMP Incorporated Harrisburg, PA 17105-3608 NAME STRAIN RELIEF, HINGED, 24 POSITION
MATERIAL NYLON	CHK 9-17-93 R. SWING	
FINISH COLOR, SEE TABLE	APPD - W. LONG	SIZE D 00779
	APPD - W. LONG	CAGE CODE 00779
	PRODUCT SPEC -	DRAWING NO 350524
	APPLICATION SPEC -	SCALE 4:1
	WEIGHT -	SHEET 1 OF 1

METRIC

THIS DRAWING IS A CONTROLLED DOCUMENT FOR AMP INCORPORATED. IT IS SUBJECT TO CHANGE AND THE CONTROLLING ENGINEERING ORGANIZATION SHOULD BE CONTACTED FOR THE LATEST REVISION.