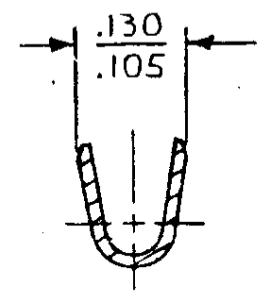
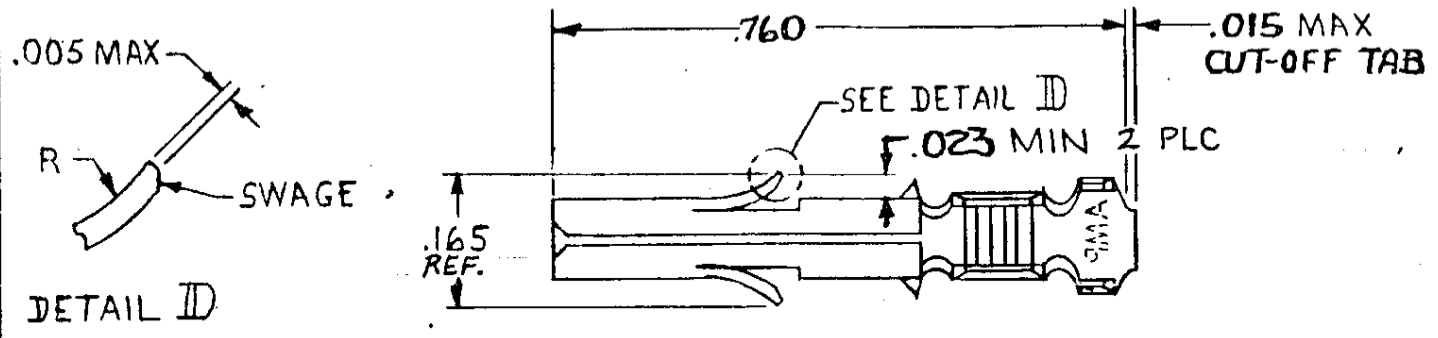
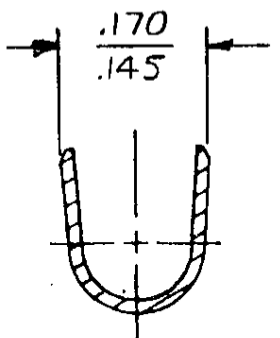
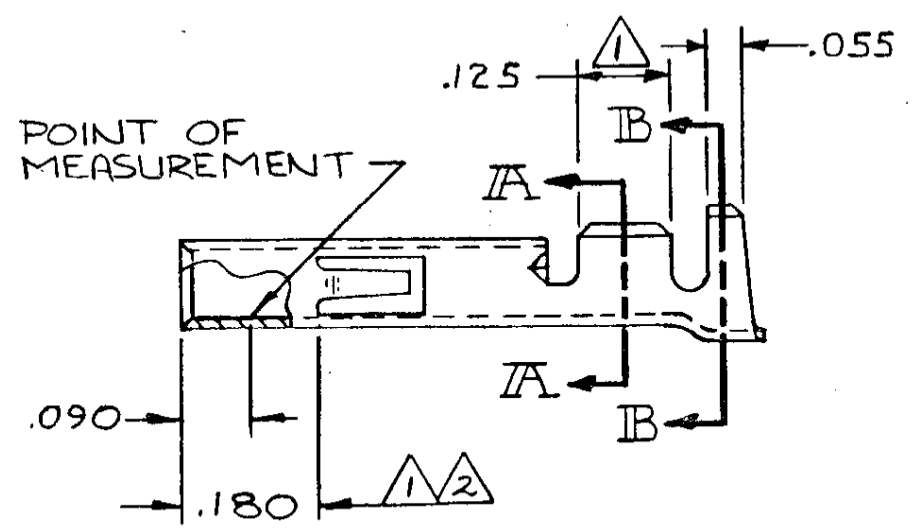


© COPYRIGHT

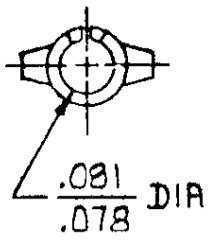
REVISIONS						
P	F	ZONE	LTR	DESCRIPTION	DATE	APPROVED
			S	REVISED PER ECR-12-013323	10AUG12	TM



SECTION A-A



SECTION B-B



- ① .000030 THICK GOLD OVER NICKEL ON INSIDE OF RECEPTACLE AND WIRE BARREL; REMAINDER OF CONTACT IS NICKEL PLATED.
- ② .000030 THICK GOLD OVER NICKEL ON INSIDE OF RECEPTACLE; REMAINDER OF CONTACT IS NICKEL PLATED.
- ③ INSULATION RANGE: .060-.130 DIA

GOLD	②	.012 BRASS	350550-7
		.012 PH. BRZ	350550-6
PRE-TIN		.012 PH. BRZ	350550-3
GOLD	①	.012 BRASS	350550-2
PRE-TIN			350550-1
FINISH		MATERIAL	PART NO

UNLESS OTHERWISE SPECIFIED DIMENSIONS ARE IN INCHES. TOLERANCES ON: DECIMALS ±.015 ANGLES ±	CONTRACT NO	TE Connectivity	
	DR		
WIRE RANGE 20-14- AWG	CHK	NAME SOCKET, (LOOSE PIECE) UNIVERSAL MATE-N-LOK	
	APPD	J.S. Heide 6/9/81	SIZE B CODE IDENT NO 00779 DRAWING NO 350550
INSULATION RANGE ③	APPD	SCALE 4-1 SHEET -1-	
	DSGN APPD		
	OTHER APPD		