



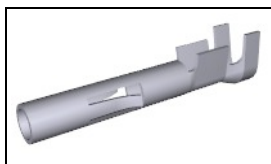
**Have a Question?**  
 Chat with a Product Information Specialist

What can we help you find?

[Products](#) [Industries](#) [Resources](#) [About TE](#) [My Account](#) [Innovation](#) [Support Center](#)

### 350550-6 Product Details

[Share](#) [Print](#) [Email](#)



**350550-6**

TE Internal Number: 350550-6

Active

[View 3D PDF](#)

#### .250" Centerline, 600 V, 19 - 36 A max

Always EU RoHS/ELV Compliant (Statement of Compliance)

#### Product Highlights:

- Universal MATE-N-LOK Product Line
- Wire-to-Wire
- Applies To Wire/Cable
- Contact
- Contact Type = Socket

[View all Features](#)

#### Quick Links

- ▶ [Pricing & Availability](#)
- ▶ [Search for Tooling](#)
- ▶ [View Housings \(206\)](#)
- ▶ [Product Feature Selector](#)
- ▶ [Contact Us About This Product](#)

[Add to My Part List](#) [Request Sample](#) [Find Similar Products](#) [Buy Product](#)

#### Documentation & Additional Information

##### Product Drawings:

- [SOCKET, \(LOOSE PIECE\) UNIVERSAL MATE-N-LOK \(TIF, English\)](#)

##### Catalog Pages/Data Sheets:

- [SOFT\\_SHELL\\_PIN\\_SOCKET\\_CONNECTORS\\_STANDARD\\_DENSITY \(PDF, English\)](#)

##### Product Specifications:

- [Universal MATE-N-LOK\\* Connector \(PDF, English\)](#)

##### Application Specifications:

- [Universal MATE-N-LOK Connectors \(PDF, English\)](#)

##### Instruction Sheets:

- [Universal, Commercial, and .140 MATE-N-LOK Contact ... \(PDF, English\)](#)

##### CAD Files: (CAD Format & Compression Information)

- [2D Drawing \(DXF, Version R\)](#)
- [3D Model \(IGES, Version R\)](#)
- [3D Model \(STEP, Version R\)](#)

[List all Documents](#)

##### Additional Information:

- [Product Line Information](#)

##### Related Products:

- [Tooling](#)
- [Housings \(206\)](#)

#### Product Features (Please use the Product Drawing for all design activity)

##### Product Type Features:

- Product Line = Universal MATE-N-LOK
- Product Type = Contact
- Termination Method to Wire/Cable = Crimp
- Strain Relief = Without
- Sealed = No
- Wire/Cable Type = Discrete Wire
- UL File Number = E28476
- CSA File Number = LR 16455

##### Mechanical Attachment:

- Contact Retention = With
- Contact Retention Type = Locking Lance

##### Electrical Characteristics:

- Contact - Rated Current (A) = 19
- Operating Voltage Reference = AC
- Operating Voltage (VAC) = 600

##### Termination Features:

- Wire/Cable Size (mm<sup>2</sup>) = 0.5 - 2
- Wire/Cable Size (AWG) = 14 - 20

##### Body Features:

- Wire Type = Stranded
- Underplate Material Thickness (µm [µin]) = 1.27 [50.000]

##### Contact Features:

- Contact Type = Socket
- Contact Style = Solid
- Contact Base Material = Phosphor Bronze
- Contact Plating. Matina Area. Material = Gold

##### Industry Standards:

- Agency/Standard = CSA, UL
- [RoHS/ELV Compliance](#) = RoHS compliant, ELV compliant
- [Lead Free Solder Processes](#) = Not relevant for lead free process
- RoHS/ELV Compliance History = Always was RoHS compliant
- VDE Tested = Yes
- UL Rating = Recognized
- CSA Rating = Certified

##### Environmental:

- Operating Temperature (°C [°F]) = -55 - +125 [-67 - +257]

##### Conditions for Usage:

- Applies To = Wire/Cable
- Glow Wire Rating = Standard Part - Not Glow Wire
- Accepts Wire Insulation Diameter, Range (mm [in]) = 1.52 - 3.30 [0.060 - 0.130]
- For Use With = Splash Proof Seal and Universal Mate-N-LOK Plug and Cap Housing

##### Operation/Application:

- Application Use = Wire-to-Wire

##### Packaging Features:

- Packaging Method = Bag
- Packaging Quantity = 1,000

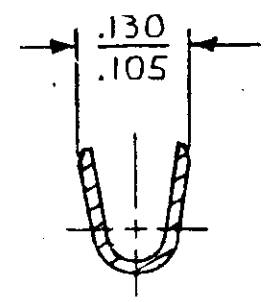
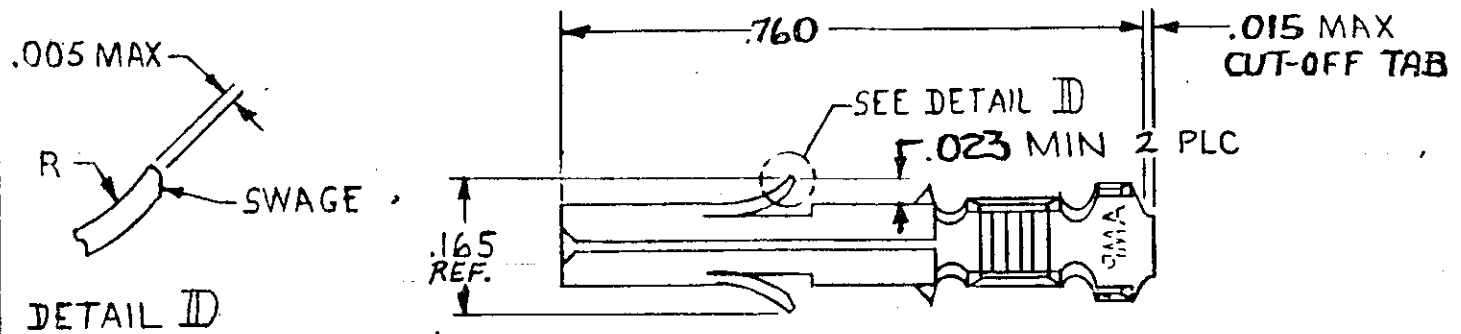
##### Other:

- Brand = AMP

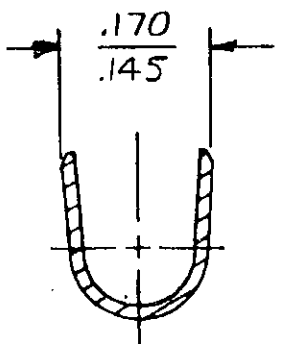
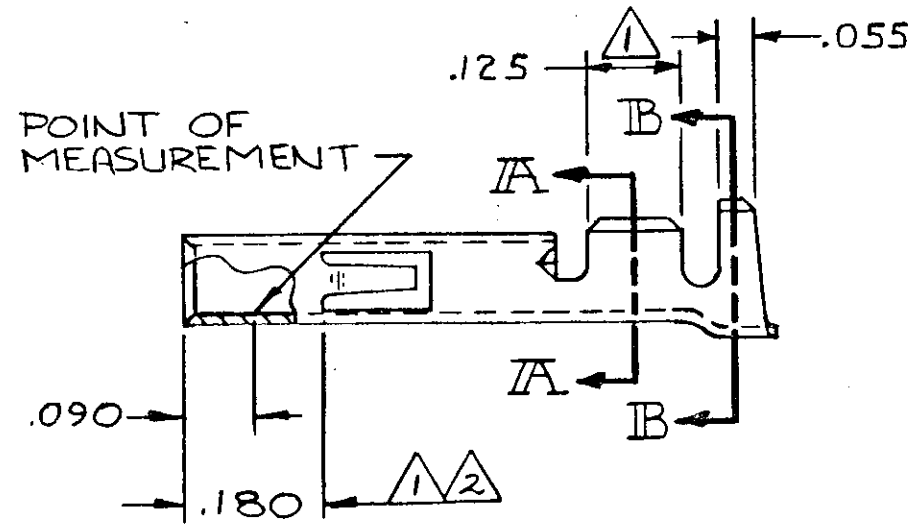
- Multiple Contact Types = Without
- Contact Plating, Mating Area, Thickness ( $\mu\text{m}$  [ $\mu\text{in}$ ]) = 0.76 [29.92]
- Underplate Material = Nickel

© COPYRIGHT

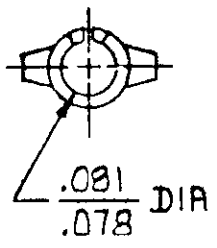
REVISIONS						
P	F	ZONE	LTR	DESCRIPTION	DATE	APPROVED
			S	REVISED PER ECR-12-013323	10AUG12	TM



SECTION A-A



SECTION B-B



- ① .000030 THICK GOLD OVER NICKEL ON INSIDE OF RECEPTACLE AND WIRE BARREL; REMAINDER OF CONTACT IS NICKEL PLATED.
- ② .000030 THICK GOLD OVER NICKEL ON INSIDE OF RECEPTACLE; REMAINDER OF CONTACT IS NICKEL PLATED.
- ③ INSULATION RANGE: .060-.130 DIA

GOLD	②	.012 BRASS	350550-7
		.012 PH. BRZ	350550-6
PRE-TIN		.012 PH. BRZ	350550-3
GOLD	①	.012 BRASS	350550-2
PRE-TIN			350550-1
FINISH		MATERIAL	PART NO

UNLESS OTHERWISE SPECIFIED DIMENSIONS ARE IN INCHES. TOLERANCES ON: DECIMALS ±.015 ANGLES ±	CONTRACT NO			
	DR m. Feher 4-21-81			
WIRE RANGE 20-14- AWG	CHK D.S. Heide 6/9/81		NAME SOCKET, (LOOSE PIECE) UNIVERSAL MATE-N-LOK	
	APPD P. Polchuk 6-10-81		SIZE	CODE IDENT NO
INSULATION RANGE ③	DSGN APPD		B	00779
	OTHER APPD		DRAWING NO	350550
SCALE 4-1			SHEET -1-	