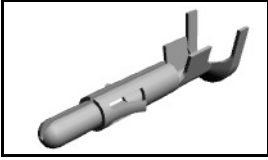


350552-1 Product Details

[Share](#) [Print](#) [Email](#)



350552-1

TE Internal Number: 350552-1

Active

[View 3D PDF](#)

.250" Centerline, 600 V, 19 - 36 A max

Always EU RoHS/ELV Compliant
(Statement of Compliance)

Product Highlights:

- Universal MATE-N-LOK Product Line
- Wire-to-Wire
- Applies To Wire/Cable
- Contact
- Contact Type = Pin

[View all Features](#)

Quick Links

- ▶ [Pricing & Availability](#)
- ▶ [Search for Tooling](#)
- ▶ [View Housings \(206\)](#)
- ▶ [Product Feature Selector](#)
- ▶ [Contact Us About This Product](#)

[Add to My Part List](#) [Request Sample](#) [Find Similar Products](#)
[Buy Product](#)

Documentation & Additional Information	
<p>Product Drawings:</p> <ul style="list-style-type: none"> • PIN, (LOOSE PIECE), UNIVERSAL MATE-N-LOK (PDF, English) <p>Catalog Pages/Data Sheets:</p> <ul style="list-style-type: none"> • SOFT SHELL PIN SOCKET CONNECTORS STANDARD DENSITY (PDF, English) <p>Product Specifications:</p> <ul style="list-style-type: none"> • None Available <p>Application Specifications:</p> <ul style="list-style-type: none"> • Universal MATE-N-LOK Connectors (PDF, English) <p>Instruction Sheets:</p> <ul style="list-style-type: none"> • Universal, Commercial, and .140 MATE-N-LOK Contact ... (PDF, English) <p>CAD Files: (CAD Format & Compression Information)</p> <ul style="list-style-type: none"> • 2D Drawing (DXF, Version S) • 3D Model (IGES, Version S) • 3D Model (STEP, Version S) 	<p>Additional Information:</p> <ul style="list-style-type: none"> • Product Line Information <p>Related Products:</p> <ul style="list-style-type: none"> • Tooling • Housings (206)

[List all Documents](#)

Product Features (Please use the Product Drawing for all design activity)	
<p>Product Type Features:</p> <ul style="list-style-type: none"> • Product Line = Universal MATE-N-LOK • Product Type = Contact • Termination Method to Wire/Cable = Crimp • Strain Relief = Without • Sealed = No • Wire/Cable Type = Discrete Wire • UL File Number = E28476 • CSA File Number = LR 16455 <p>Mechanical Attachment:</p> <ul style="list-style-type: none"> • Contact Retention = With • Contact Retention Type = Locking Lance <p>Electrical Characteristics:</p> <ul style="list-style-type: none"> • Contact - Rated Current (A) = 19 	<p>Industry Standards:</p> <ul style="list-style-type: none"> • Agency/Standard = CSA, UL • RoHS/ELV Compliance = RoHS compliant, ELV compliant • Lead Free Solder Processes = Not relevant for lead free process • RoHS/ELV Compliance History = Always was RoHS compliant • VDE Tested = Yes • UL Rating = Recognized • CSA Rating = Certified <p>Environmental:</p> <ul style="list-style-type: none"> • Operating Temperature (°C [°F]) = -55 - +125 [-67 - +257] <p>Conditions for Usage:</p>

- Operating Voltage Reference = AC
- Operating Voltage (VAC) = 600

Termination Features:

- Wire/Cable Size (mm²) = 0.5 – 2
- Wire/Cable Size (AWG) = 14 – 20

Body Features:

- Wire Type = Stranded

Contact Features:

- Contact Type = Pin
- Contact Style = Solid
- Contact Base Material = Brass
- Contact Plating, Mating Area, Material = Pre-Tin
- Multiple Contact Types = Without

- Applies To = Wire/Cable
- Glow Wire Rating = Standard Part - Not Glow Wire
- Accepts Wire Insulation Diameter, Range (mm [in]) = 3.30 – 5.10 [0.130 – 2.000]
- For Use With = Universal MATE-N-LOK Plug or Socket Housing

Operation/Application:

- Application Use = Wire-to-Wire

Packaging Features:

- Packaging Method = Bag
- Packaging Quantity = 1,000

Other:

- Brand = AMP

Corporate Information

- [About TE](#)
- [Investors](#)
- [News Room](#)
- [Supplier Portal](#)
- [Careers](#)
- [Terms & Conditions](#)
- [Privacy Policy](#)

Quick Links

- [Distributor Inventory](#)
- [Product Cross Reference](#)
- [Documents & Drawings](#)
- [Product Compliance Support Center](#)
- [Site Map](#)

Customer Support

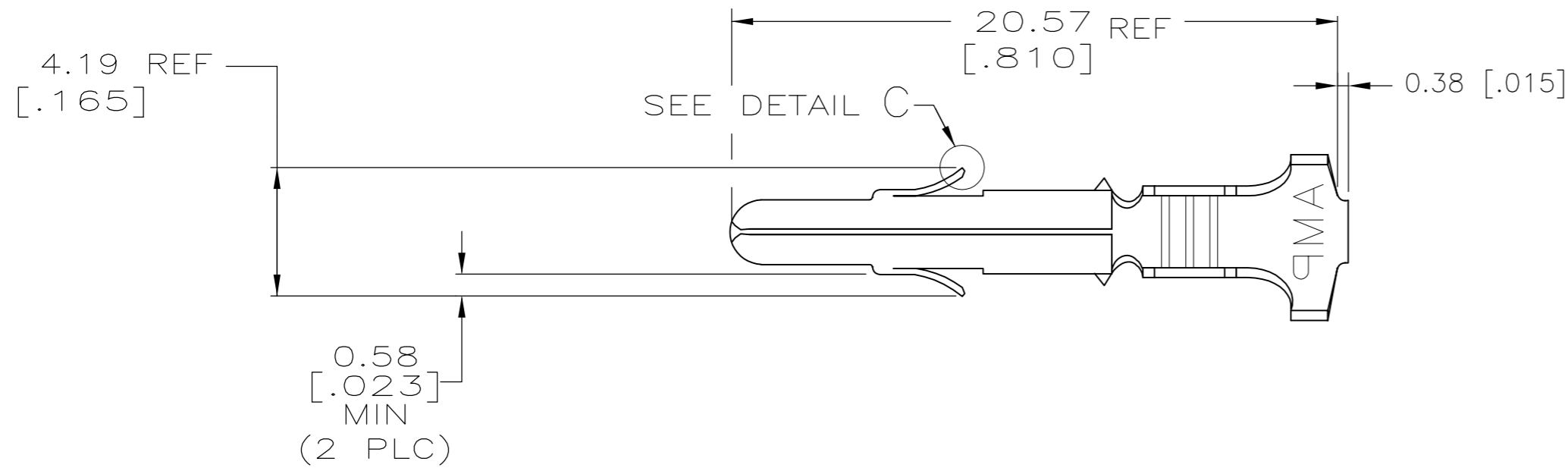
- [Email or Chat With Us](#)
- [Find a Phone Number](#)
- [Knowledge Base](#)
- [Manage Your Account](#)

Keep Me Informed

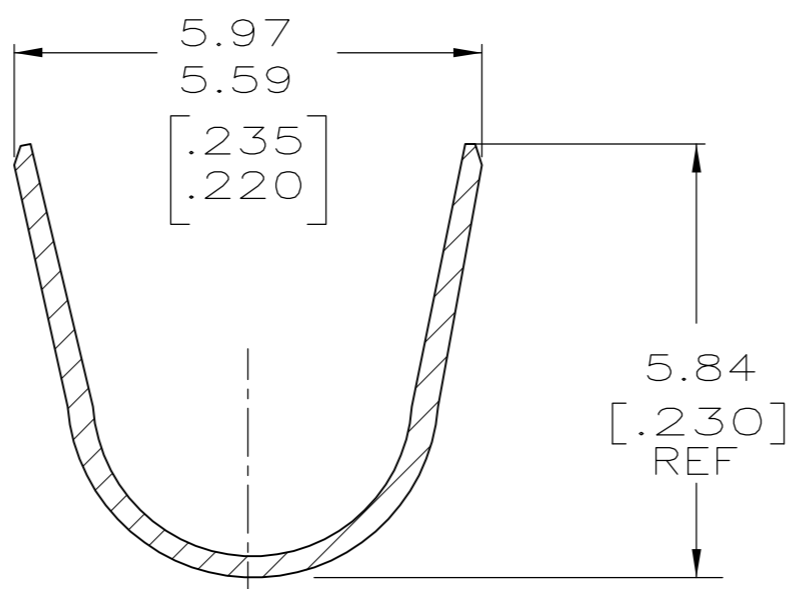
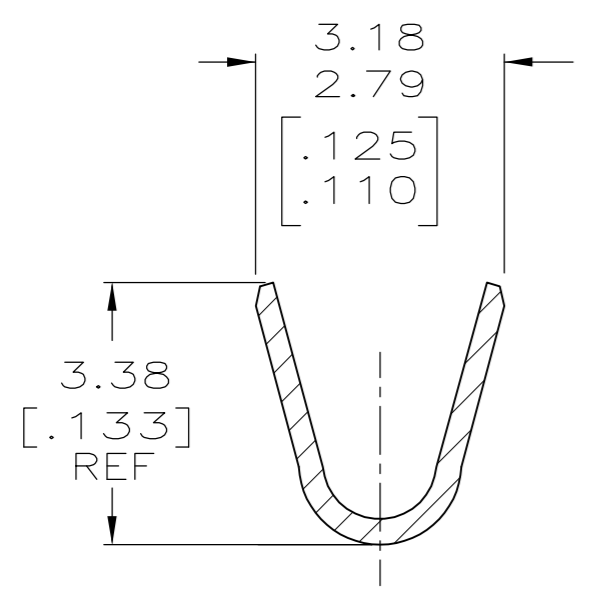
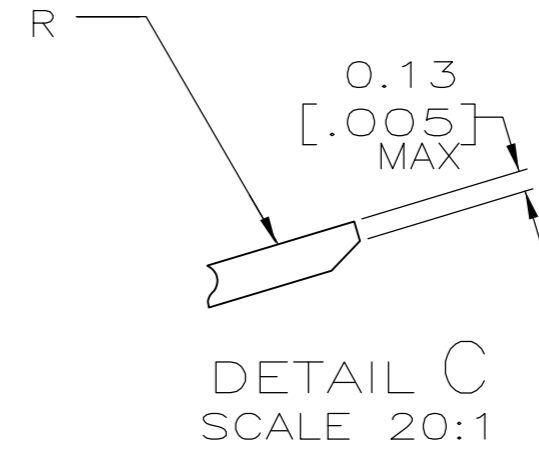
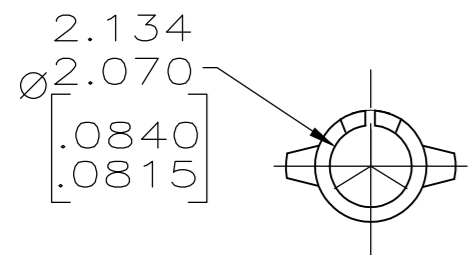
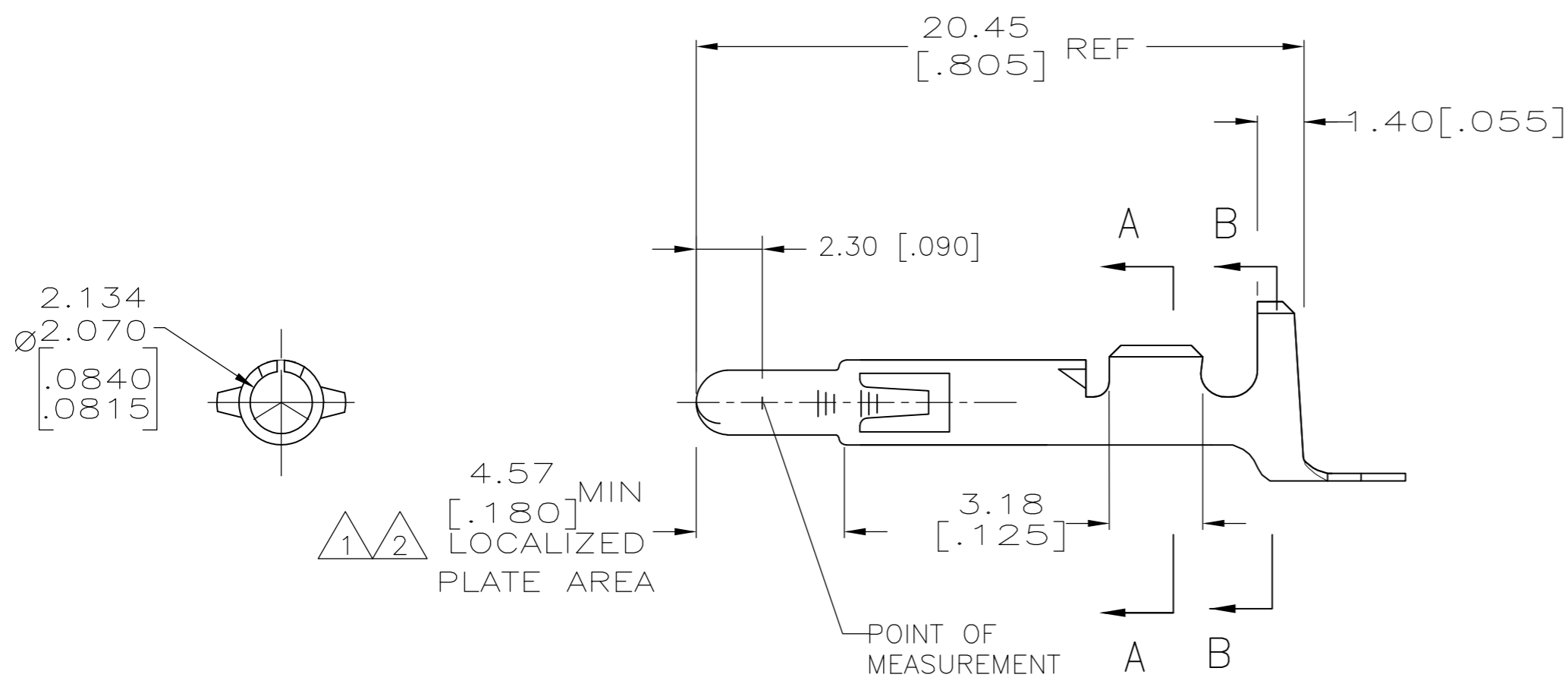


THIS DRAWING IS UNPUBLISHED. RELEASED FOR PUBLICATION
 © COPYRIGHT - By - ALL RIGHTS RESERVED.

LOC		DIST		REVISIONS			
P	LTR	DESCRIPTION		DATE	DWN	APVD	
CM	00	T		REVISED PER ECR-12-013323	09AUG12	KH	TM



- 1 PLATED WITH 0.00076[.000030] GOLD OVER 0.00127[.000050] MIN THK NICKEL UNDERPLATE.
- 2 GOLD OVER NICKEL ON ENTIRE STAMPING; 0.00076[.000030] GOLD MINIMUM AT OINT OF MEASUREMENT IN CONTACT AREA, GOLD FLASH MINIMUM IN WIRE BARREL.
- 3 DIMENSIONS IN BRACKETS ARE IN INCHES.
- 4 WIRE RANGE: 20-14 AWG
INSULATION RANGE : 3.30-5.08 [.130-.200] DIA.



FINISH	MATERIAL	PART NO
GOLD 2	0.30 [.012] BRASS	350552-7
GOLD 2	0.30 [.012] PH BZ	350552-6
TIN	0.30 [.012] PH BZ	350552-3
GOLD 1	0.30 [.012] BRASS	350552-2
TIN	0.30 [.012] BRASS	350552-1

THIS DRAWING IS A CONTROLLED DOCUMENT.

DWN K. WHITAKER 12NOV2004	 TE Connectivity PIN, (LOOSE PIECE), UNIVERSAL MATE-N-LOK™
CHK S. RIDGILL 12NOV2004	
APVD S. RIDGILL 12NOV2004	
PRODUCT SPEC	
APPLICATION SPEC	SIZE A2
WEIGHT -	CAGE CODE 00779
CUSTOMER DRAWING	DRAWING NO C=350552
SCALE 5:1	SHEET 1 of 1
REV T	RESTRICTED TO -