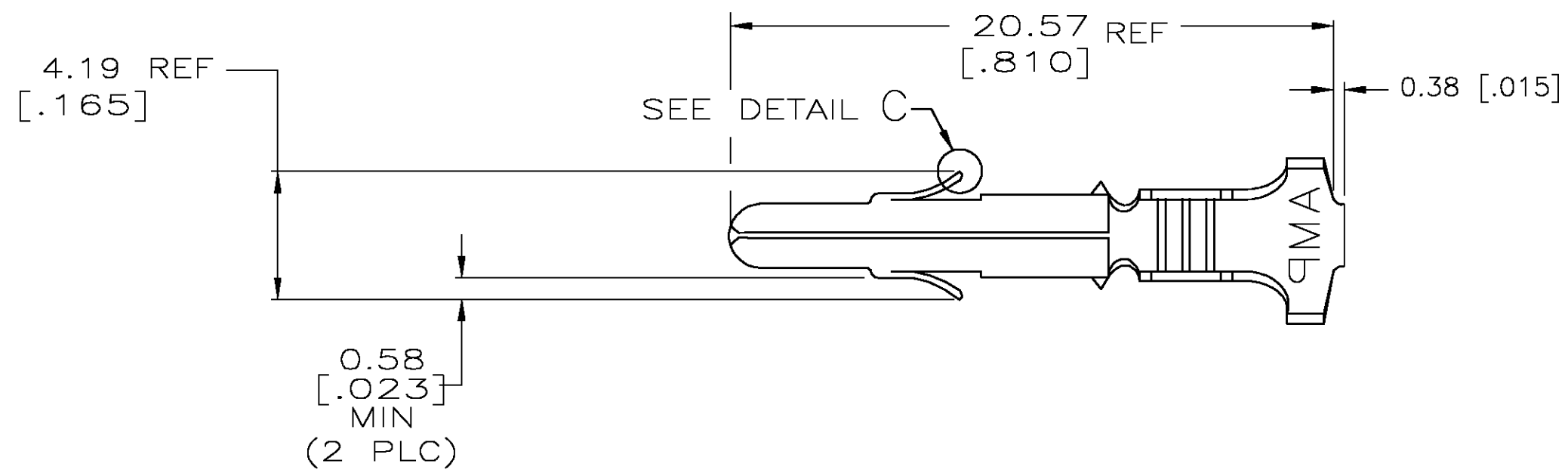
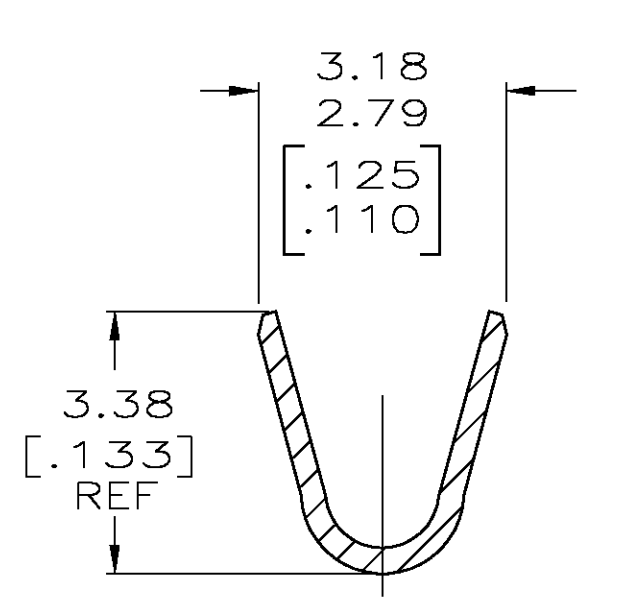
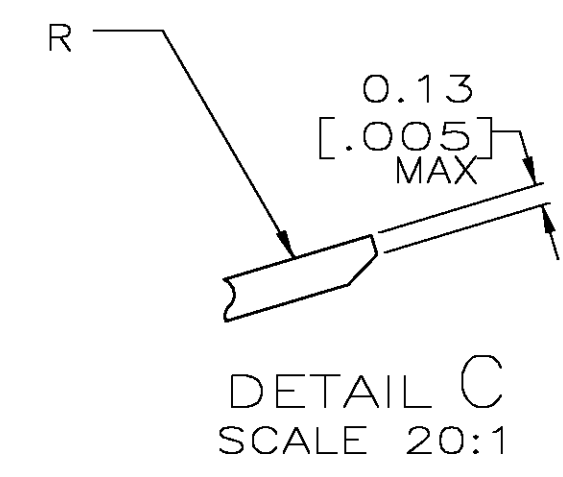
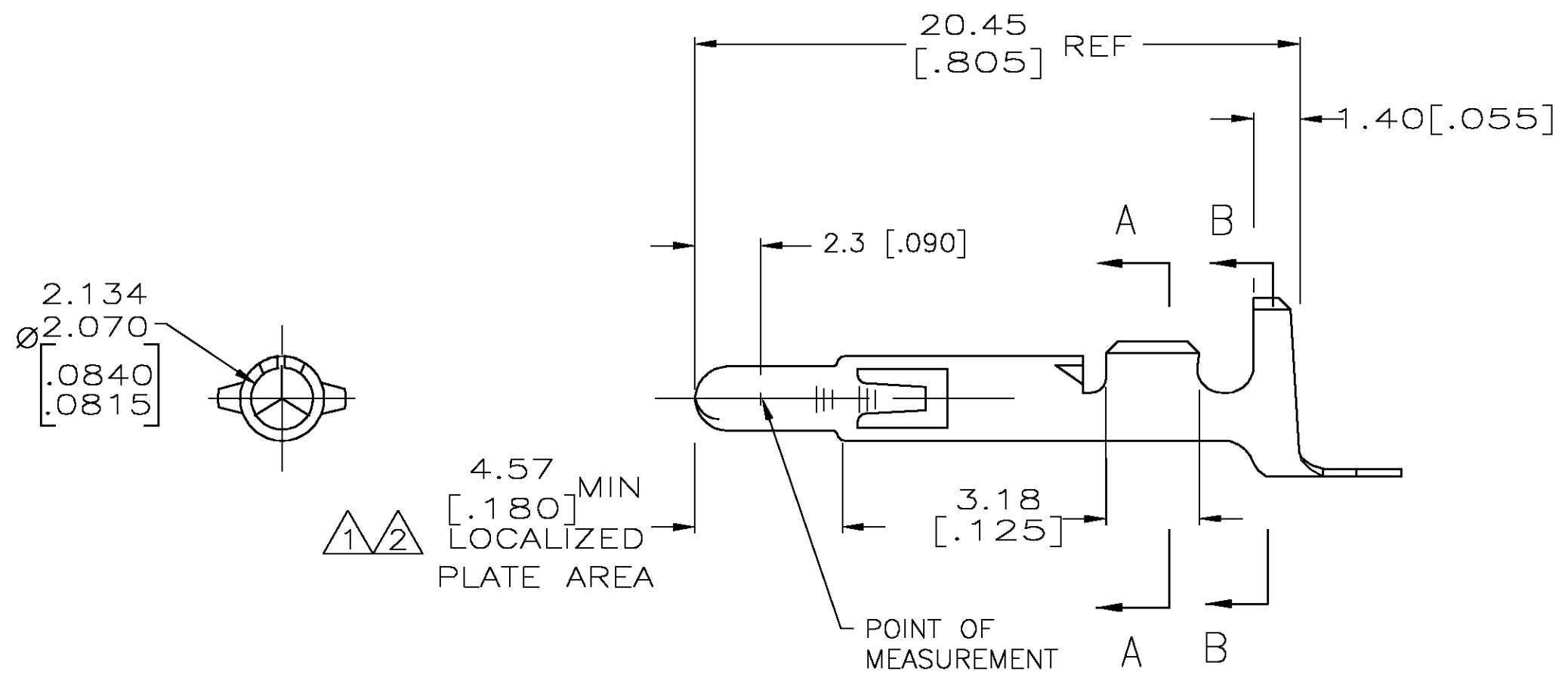


THIS DRAWING IS UNPUBLISHED. RELEASED FOR PUBLICATION
 © COPYRIGHT BY TYCO ELECTRONICS CORPORATION. ALL RIGHTS RESERVED.

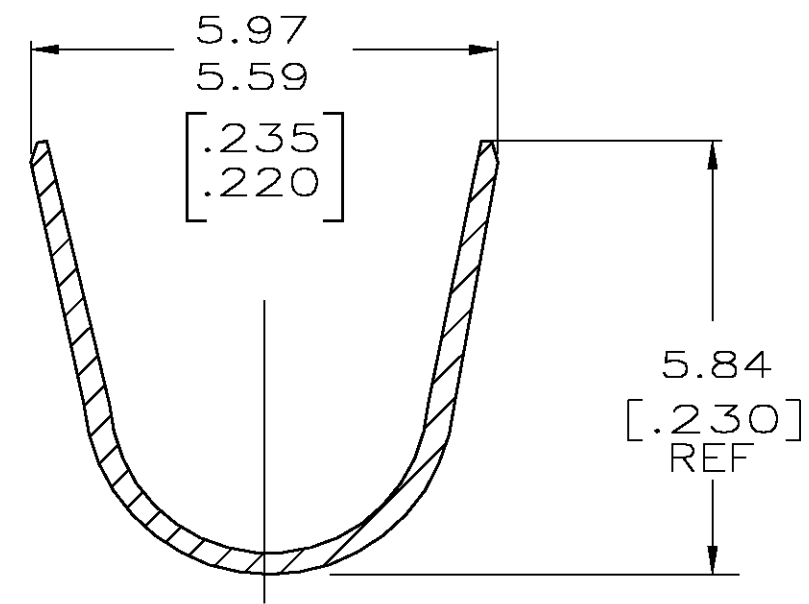
LOC		DIST		REVISIONS			
P	LTR	DESCRIPTION	DATE	DWN	APVD		
CM	00	S	REVISED PER 0G3B-1051-04	12NOV04	KW	SR	



- 1. PLATED WITH 0.00076[.000030] GOLD OVER 0.00127[.000050] MIN THK NICKEL UNDERPLATE.
- 2. GOLD OVER NICKEL ON ENTIRE STAMPING; 0.00076[.000030] GOLD MINIMUM AT OINT OF MEASUREMENT IN CONTACT AREA, GOLD FLASH MINIMUM IN WIRE BARREL.
- 3. DIMENSIONS IN BRACKETS ARE IN INCHES.
- 4. WIRE RANGE: 20-14 AWG
INSULATION RANGE : ϕ 5.08 [.200] MAX



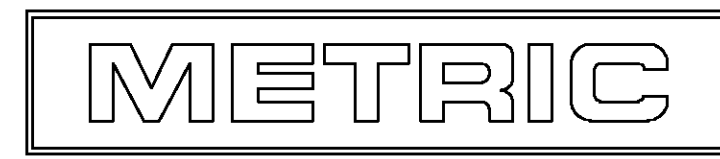
SECTION A-A
SCALE 10:1



SECTION B-B
SCALE 10:1

FINISH	MATERIAL	PART NO
GOLD 2	0.30 [.012] BRASS	350552-7
GOLD 2	0.30 [.012] PH BZ	350552-6
TIN	0.30 [.012] PH BZ	350552-3
GOLD 1	0.30 [.012] BRASS	350552-2
TIN	0.30 [.012] BRASS	350552-1

THIS DRAWING IS A CONTROLLED DOCUMENT.		DWN K. WHITAKER 12NOV2004	Tyco Electronics Corporation Greensboro, NC 27409	
DIMENSIONS: mm [INCHES]		CHK S. RIDGILL 12NOV2004		
TOLERANCES UNLESS OTHERWISE SPECIFIED:		APVD S. RIDGILL 12NOV2004	NAME PIN, (LOOSE PIECE), UNIVERSAL MATE-N-LOK™	
0 PLC ± - 1 PLC ± - 2 PLC ± 0.13 [.005] 3 PLC ± - 4 PLC ± - ANGLES ± 0°30'		PRODUCT SPEC	SIZE A2	
MATERIAL		APPLICATION SPEC	CAGE CODE 00779	DRAWING NO C=350552
FINISH		WEIGHT	RESTRICTED TO	
		CUSTOMER DRAWING	SCALE 5:1	SHEET 1 OF 1
			REV S	



350552