

Distributed by:

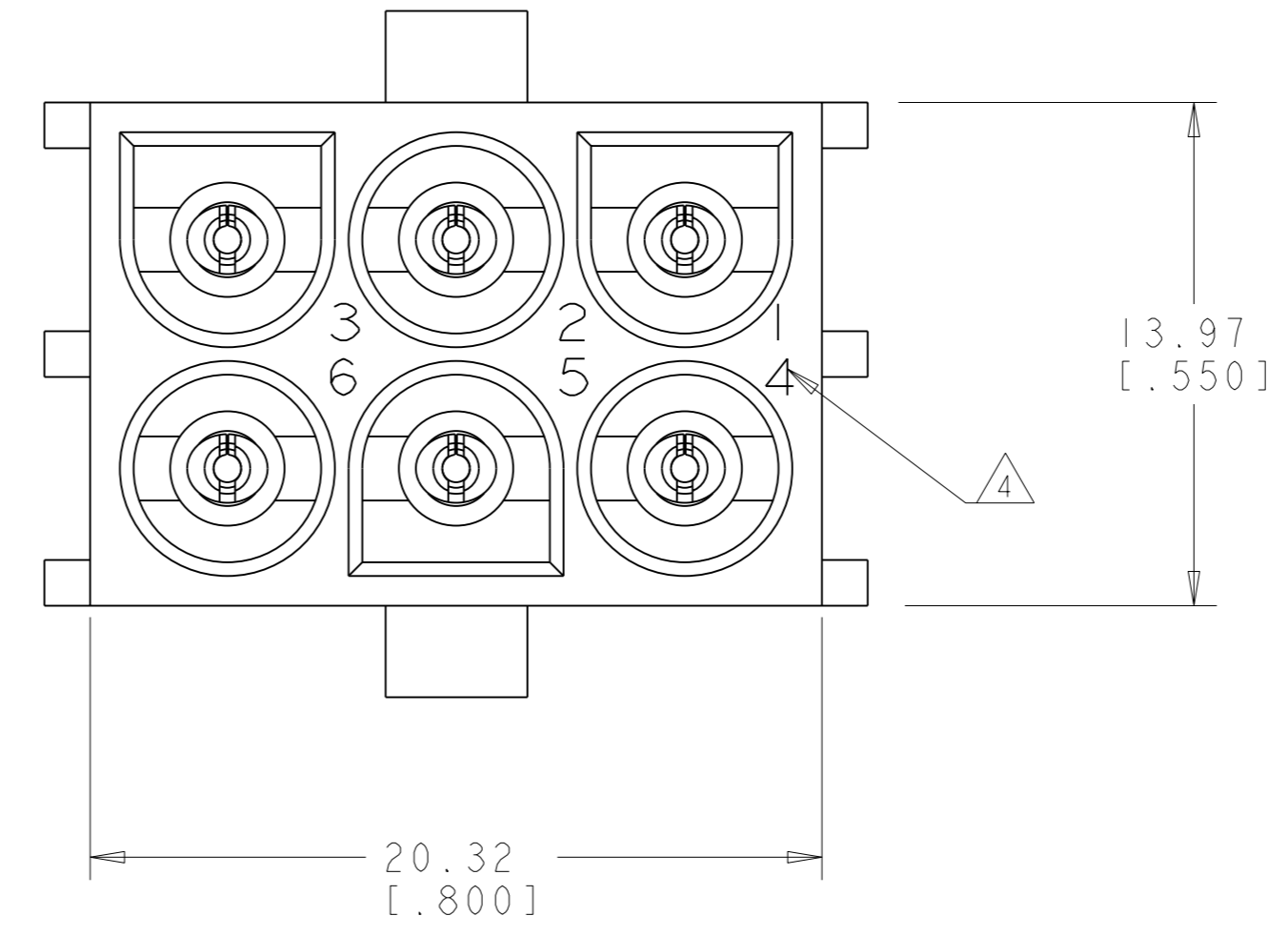
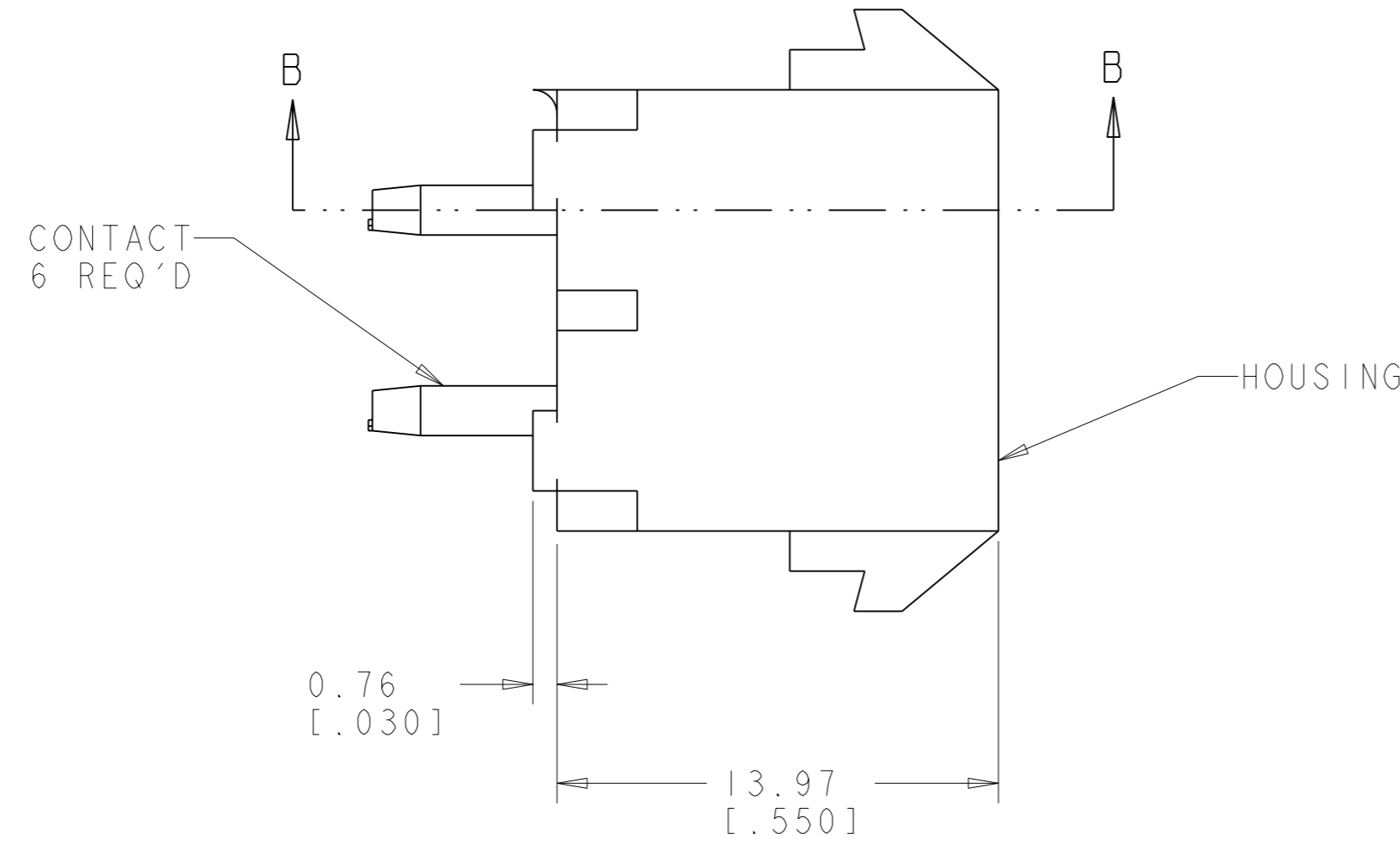
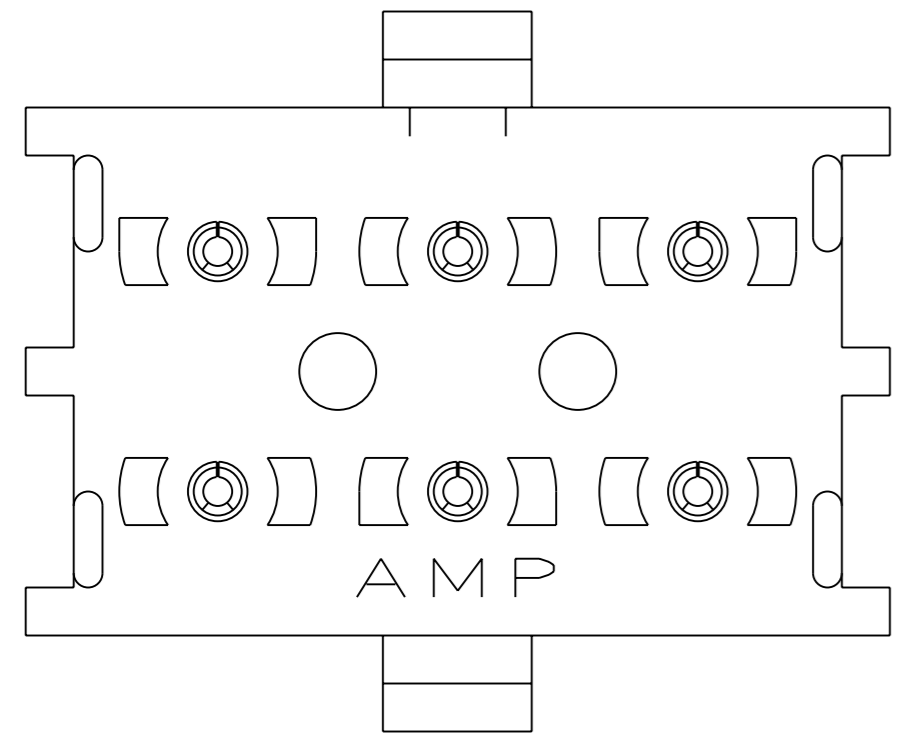
JAMECO[®]
ELECTRONICS

www.Jameco.com ♦ 1-800-831-4242

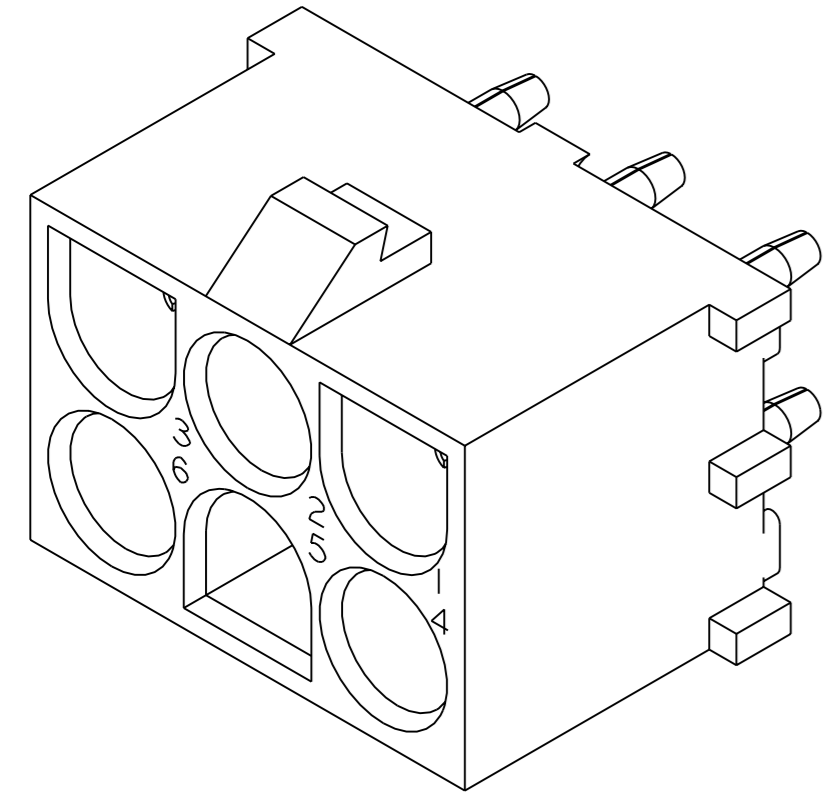
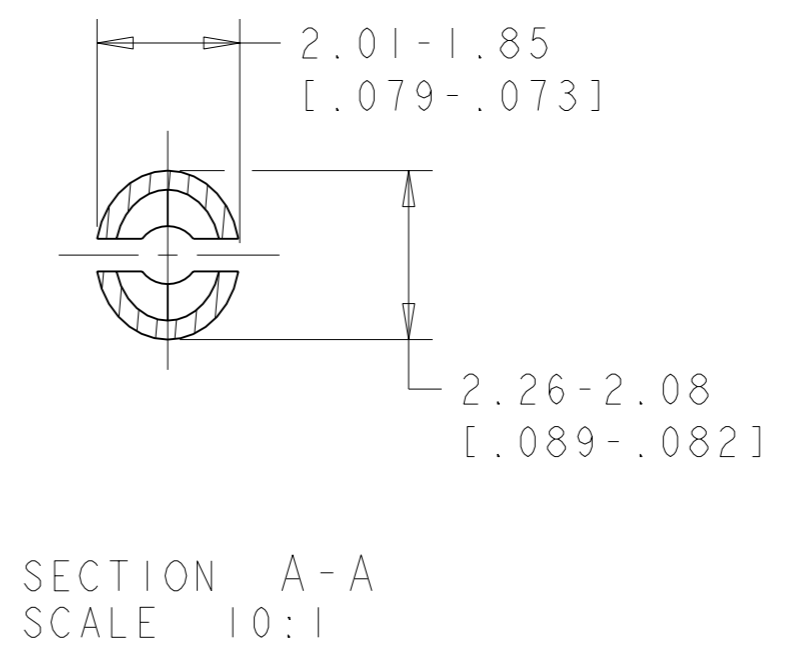
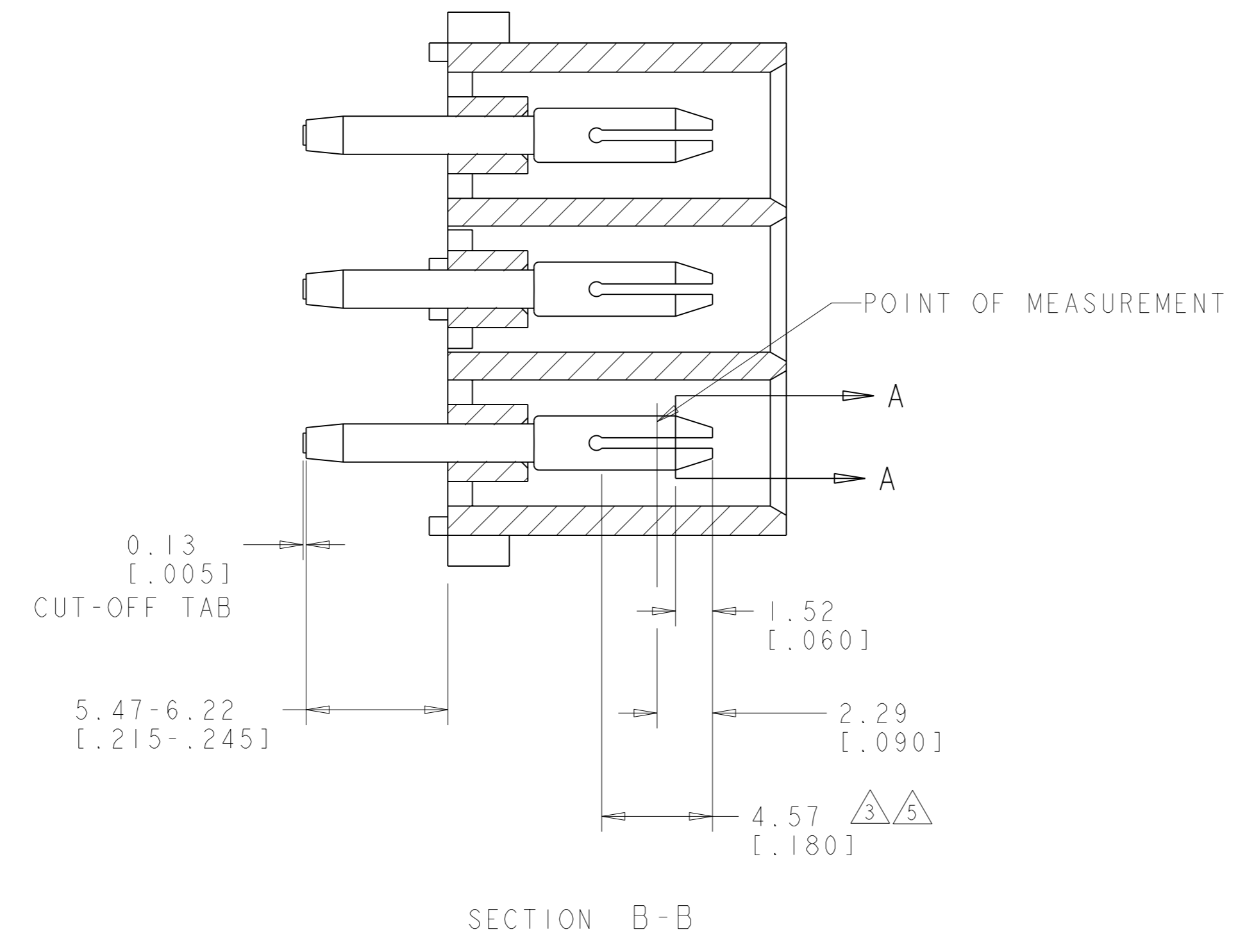
The content and copyrights of the attached
material are the property of its owner.

Jameco Part Number 751912

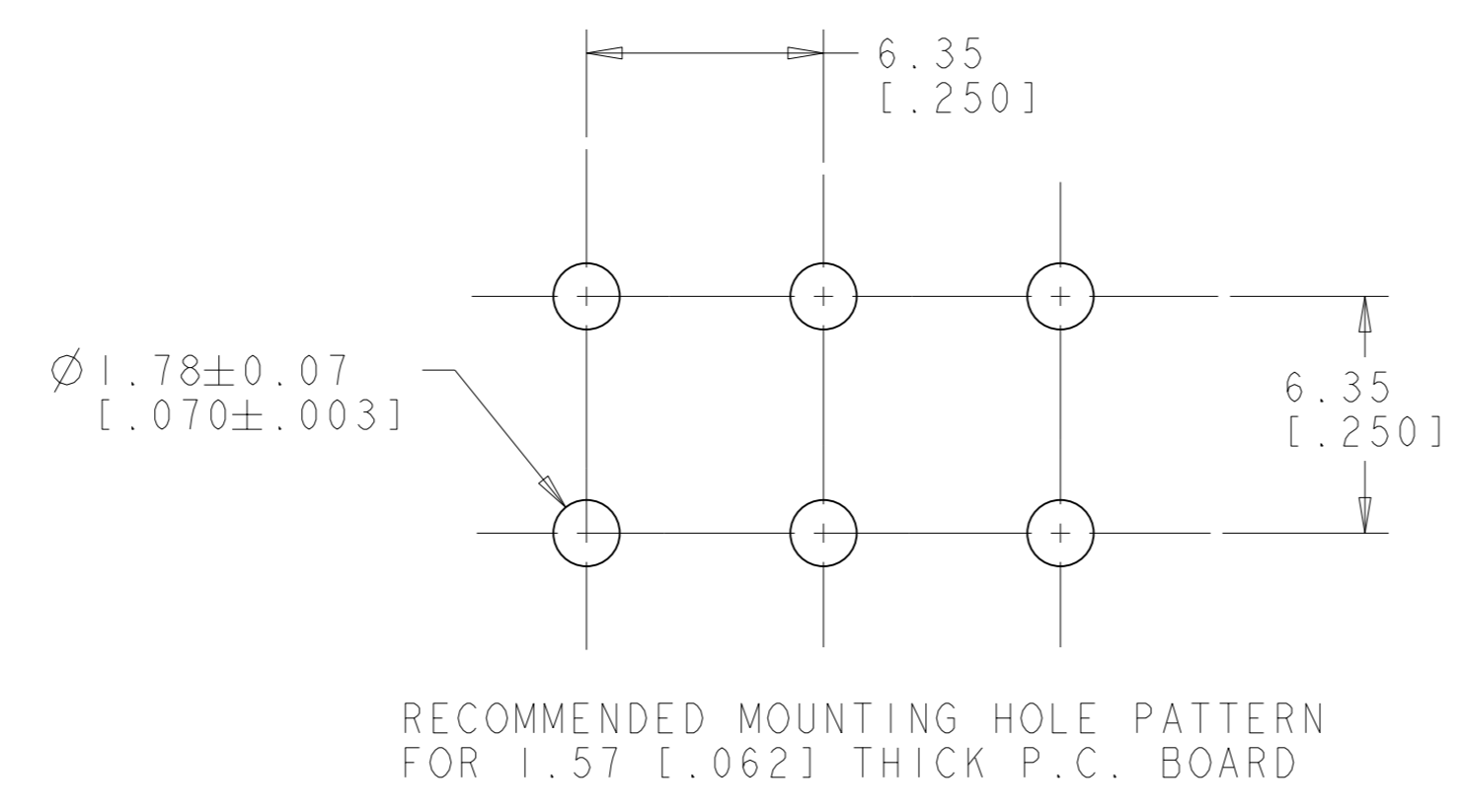
LOC		DIST		REVISIONS			
F	LYR	DESCRIPTION	DATE	DWN	APVD		
R		REVISED PER 0G3B-1100-04	02SEP05	KW	SR		



1. PARTS MATE WITH HOUSING 480704.
2. PARTS COMPLY TO AMP SOLDERABILITY SPECIFICATION 109-11-3.
3. CONTACT IS PLATED OVERALL WITH 0.00127 [.000050] NICKEL, THEN 0.00076 [.000030] GOLD OVER CONTACT LENGTH INDICATED AND TIN LEAD ON SOLDER TAIL END.
4. CIRCUIT IDENTIFICATION CHARACTERS ARE ADJACENT TO THE INDICATED CAVITIES, BUT LOCATION AND ORIENTATION MAY DIFFER FROM PRINT.
5. CONTACT IS PLATED OVERALL WITH 0.00127 [.000050] NICKEL, THEN 0.00076 [.000030] GOLD OVER CONTACT LENGTH INDICATED AND MATTE TIN ON SOLDER TAIL END.
6. DIMENSIONS IN BRACKETS ARE IN INCHES.

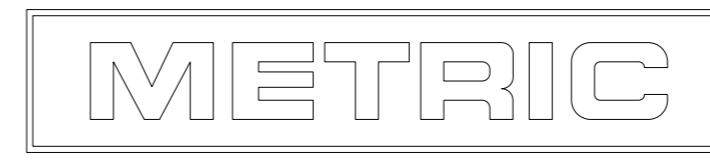


3 DIMENSIONAL MODEL
SCALE 4:1



RECOMMENDED MOUNTING HOLE PATTERN
FOR 1.57 [.062] THICK P.C. BOARD

PHOSPOR BRONZE, GOLD	NYLON, UL94V-2, NATURAL	350585-4
PHOSPOR BRONZE, GOLD	NYLON, UL94V-2, NATURAL	350585-2
PHOSPOR BRONZE, PRE-TIN	NYLON, UL94V-2, NATURAL	350585-1
PIN CONTACT MATERIAL AND FINISH	HOUSING MATERIAL AND COLOR	PART NUMBER



DIMENSIONS: mm [INCHES]		TOLERANCES UNLESS OTHERWISE SPECIFIED:		DWN: K. WHITAKER 02SEP2005		Tyco Electronics Harrisburg, PA 17105-3608	
0 PLC	±	0 PLC	±	CHK: S. RIDGILL 02SEP2005	NAME: PIN HEADER ASSEMBLY, 6 CIRCUIT, UNIVERSAL MATE-N-LOK(TM)		
1 PLC	±	1 PLC	±	APVD: S. RIDGILL 02SEP2005	SIZE: A CAGE CODE: 350585 DRAWING NO: 00779 ©=350585		
2 PLC	±0.13(.005)	2 PLC	±	APPLICATION SPEC	RESTRICTED TO		
3 PLC	±	3 PLC	±	WEIGHT	CUSTOMER DRAWING		
4 PLC	±	4 PLC	±	SCALE: 5:1	SHEET 1 OF 1		
ANGLES	±	ANGLES	±	REV: R			