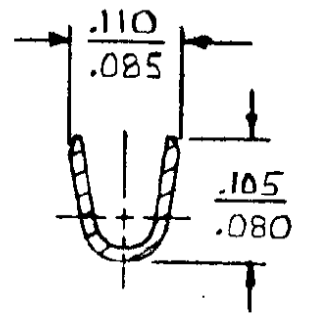
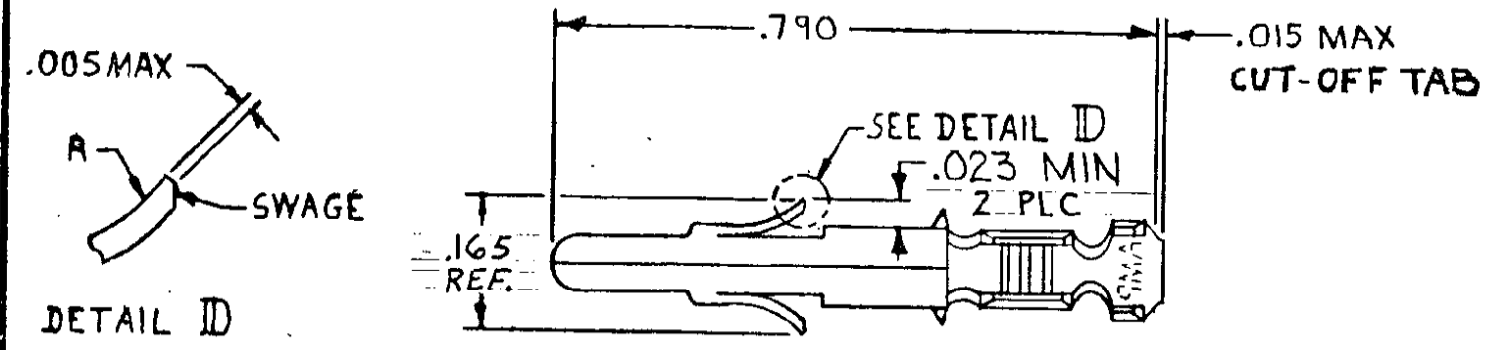
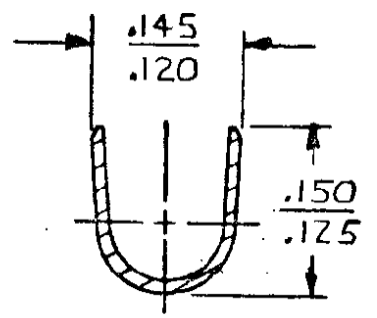
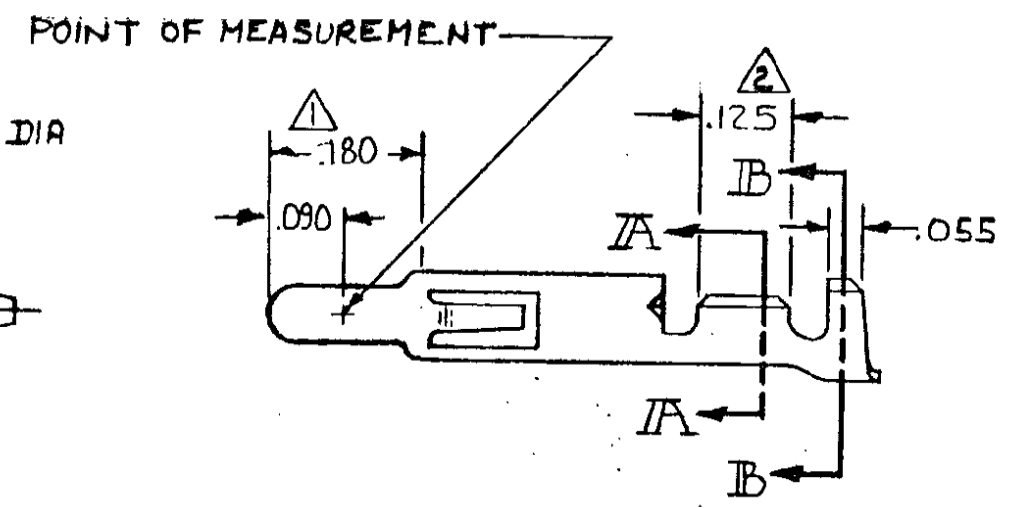


© COPYRIGHT

REVISIONS						
P	F	ZONE	LTR	DESCRIPTION	DATE	APPROVED
			P	REVISED PER ECR-12-013323	10AUG12	TM



SECTION A-A



SECTION B-B

- ① PLATED WITH .000030 GOLD, OVER .000050 NICKEL UNDERPLATE.
- ② PLATED INTERNALLY WITH .000030 GOLD
- ③ INSULATION RANGE: .040-.100 DIA.

GOLD	①	.012 BRASS	350690-7
PRE-TIN		.012 PH. BRZ.	350690-3
GOLD	① ②	.012 BRASS	350690-2
PRE-TIN			350690-1
FINISH		MATERIAL	PART NO

UNLESS OTHERWISE SPECIFIED DIMENSIONS ARE IN INCHES. TOLERANCES ON: DECIMALS ± .015 ANGLES ±	CONTRACT NO	STE TE Connectivity		
	DR <i>M. FEHER 5-6-81</i>			
	CHK <i>D.S. Heide 6/9/81</i>	NAME	PIN, (LOOSE PIECE)	
	APPD <i>R. Polachuk 6-10-81</i>	APPD	UNIVERSAL MATE-N-LOK	
WIRE RANGE	DSGN APPD	SIZE	CODE IDENT NO	DRAWING NO
24-18 AWG		B	00779	350690
INSULATION RANGE	OTHER APPD	SCALE	SHEET	
③		4-1	--#	

CUSTOMER DRAWING