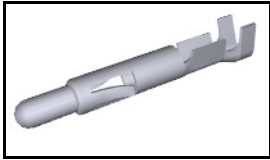


## 350690-2 Product Details

[Share](#) [Print](#) [Email](#)



**350690-2**

TE Internal Number: 350690-2

Active

[View 3D PDF](#)

**.250" Centerline, 600 V, 19 - 36 A max**

Always EU RoHS/ELV Compliant  
(Statement of Compliance)

**Product Highlights:**

- Universal MATE-N-LOK Product Line
- Wire-to-Wire
- Applies To Wire/Cable
- Contact
- Contact Type = Pin

[View all Features](#)

**Quick Links**

- ▶ [Pricing & Availability](#)
- ▶ [Search for Tooling](#)
- ▶ [View Housings \(206\)](#)
- ▶ [Product Feature Selector](#)
- ▶ [Contact Us About This Product](#)

[Add to My Part List](#)   [Request Sample](#)   [Find Similar Products](#)  
[Buy Product](#)

Documentation & Additional Information	
<p><b>Product Drawings:</b></p> <ul style="list-style-type: none"> <li>• <a href="#">PIN, (LOOSE PIECE) UNIVERSAL MATE N LOK (TIF, English)</a></li> </ul> <p><b>Catalog Pages/Data Sheets:</b></p> <ul style="list-style-type: none"> <li>• <a href="#">SOFT_SHELL_PIN_SOCKET_CONNECTORS_STANDARD_DENSITY (PDF, English)</a></li> </ul> <p><b>Product Specifications:</b></p> <ul style="list-style-type: none"> <li>• None Available</li> </ul> <p><b>Application Specifications:</b></p> <ul style="list-style-type: none"> <li>• <a href="#">Universal MATE-N-LOK Connectors (PDF, English)</a></li> </ul> <p><b>Instruction Sheets:</b></p> <ul style="list-style-type: none"> <li>• <a href="#">Universal, Commercial, and .140 MATE-N-LOK Contact ... (PDF, English)</a></li> </ul> <p><b>CAD Files: (CAD Format &amp; Compression Information)</b></p> <ul style="list-style-type: none"> <li>• <a href="#">2D Drawing (DXF, Version N)</a></li> <li>• <a href="#">3D Model (IGES, Version N)</a></li> <li>• <a href="#">3D Model (STEP, Version N)</a></li> </ul>	<p><b>Additional Information:</b></p> <ul style="list-style-type: none"> <li>• <a href="#">Product Line Information</a></li> </ul> <p><b>Related Products:</b></p> <ul style="list-style-type: none"> <li>• <a href="#">Tooling</a></li> <li>• <a href="#">Housings (206)</a></li> </ul>

[List all Documents](#)

Product Features (Please use the Product Drawing for all design activity)	
<p><b>Product Type Features:</b></p> <ul style="list-style-type: none"> <li>• Product Line = Universal MATE-N-LOK</li> <li>• Product Type = Contact</li> <li>• Termination Method to Wire/Cable = Crimp</li> <li>• Strain Relief = Without</li> <li>• Sealed = No</li> <li>• Wire/Cable Type = Discrete Wire</li> <li>• UL File Number = E28476</li> <li>• CSA File Number = LR 16455</li> </ul> <p><b>Mechanical Attachment:</b></p> <ul style="list-style-type: none"> <li>• Contact Retention = With</li> <li>• Contact Retention Type = Locking Lance</li> </ul> <p><b>Electrical Characteristics:</b></p> <ul style="list-style-type: none"> <li>• Contact - Rated Current (A) = 19</li> </ul>	<p><b>Industry Standards:</b></p> <ul style="list-style-type: none"> <li>• Agency/Standard = UL, CSA</li> <li>• <a href="#">RoHS/ELV Compliance</a> = RoHS compliant, ELV compliant</li> <li>• <a href="#">Lead Free Solder Processes</a> = Not relevant for lead free process</li> <li>• RoHS/ELV Compliance History = Always was RoHS compliant</li> <li>• VDE Tested = Yes</li> <li>• UL Rating = Recognized</li> <li>• CSA Rating = Certified</li> </ul> <p><b>Environmental:</b></p> <ul style="list-style-type: none"> <li>• Operating Temperature (°C [°F]) = -55 - +125 [-67 - +257]</li> </ul> <p><b>Conditions for Usage:</b></p>

- Operating Voltage Reference = AC
- Operating Voltage (VAC) = 600

**Termination Features:**

- Wire/Cable Size (mm<sup>2</sup>) = 0.2 – 0.8
- Wire/Cable Size (AWG) = 18 – 24

**Body Features:**

- Wire Type = Stranded
- Underplate Material Thickness (µm [µin]) = 1.27 [50.000]

**Contact Features:**

- Contact Type = Pin
- Contact Style = Solid
- Contact Base Material = Brass
- Contact Plating, Mating Area, Material = Gold
- Multiple Contact Types = Without
- Contact Plating, Mating Area, Thickness (µm [µin]) = 0.76 [29.92]
- Underplate Material = Nickel

- Applies To = Wire/Cable
- Glow Wire Rating = Standard Part - Not Glow Wire
- Accepts Wire Insulation Diameter, Range (mm [in]) = 1.02 – 2.54 [0.040 – 0.100]
- For Use With = Splash Proof Seal and Universal Mate-N-LOK Plug and Cap Housing

**Operation/Application:**

- Application Use = Wire-to-Wire

**Packaging Features:**

- Packaging Method = Bag
- Packaging Quantity = 1,000

**Other:**

- Brand = AMP

**Corporate Information**

- [About TE](#)
- [Investors](#)
- [News Room](#)
- [Supplier Portal](#)
- [Careers](#)
- [Terms & Conditions](#)
- [Privacy Policy](#)

**Quick Links**

- [Distributor Inventory](#)
- [Product Cross Reference](#)
- [Documents & Drawings](#)
- [Product Compliance Support Center](#)
- [Site Map](#)

**Customer Support**

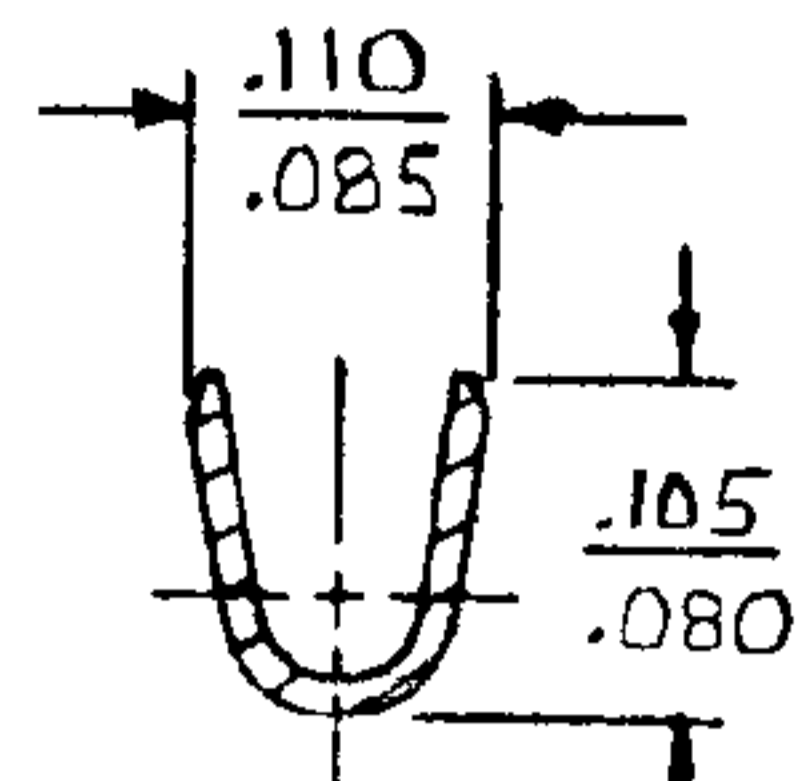
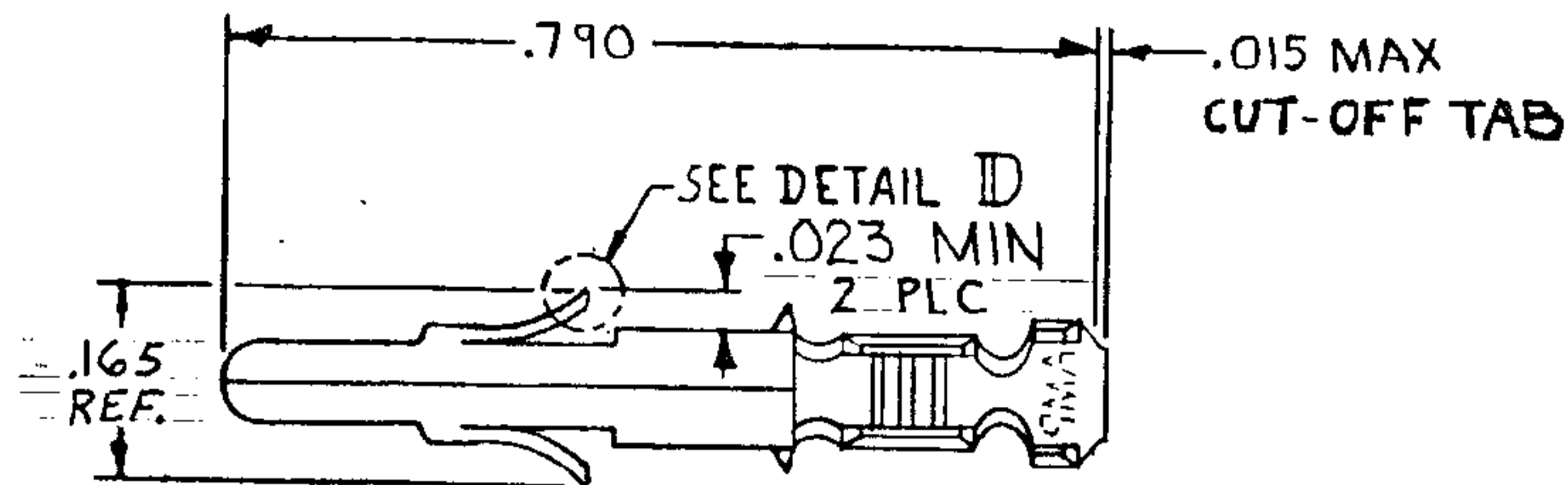
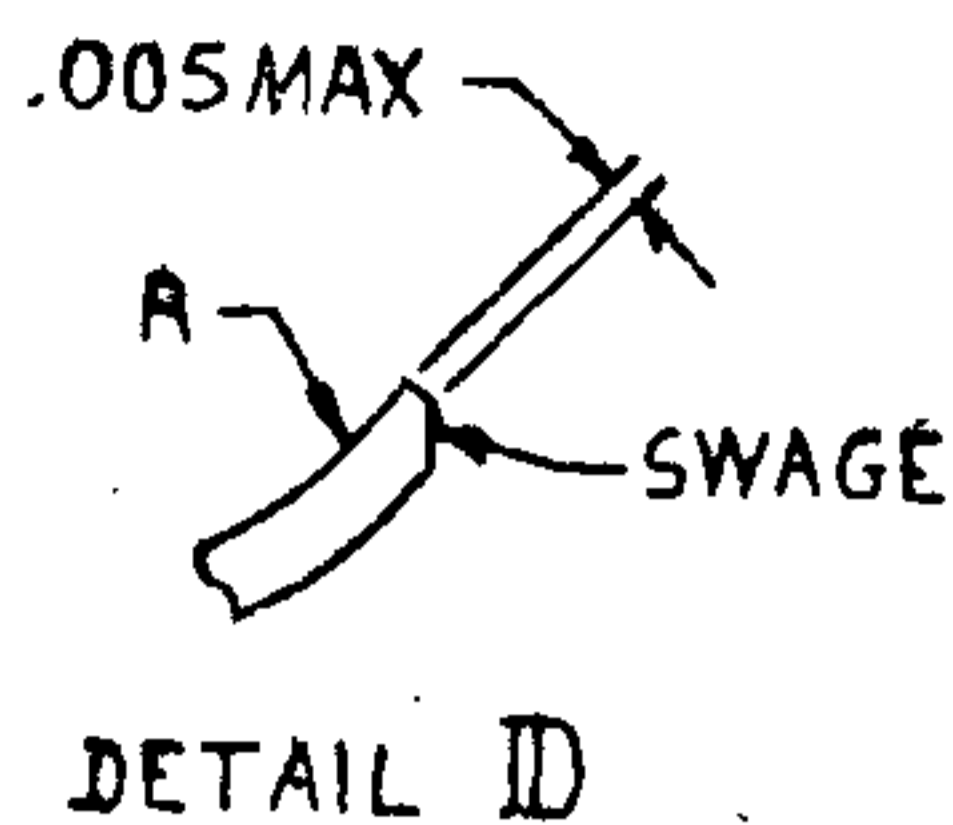
- [Email or Chat With Us](#)
- [Find a Phone Number](#)
- [Knowledge Base](#)
- [Manage Your Account](#)

**Keep Me Informed**

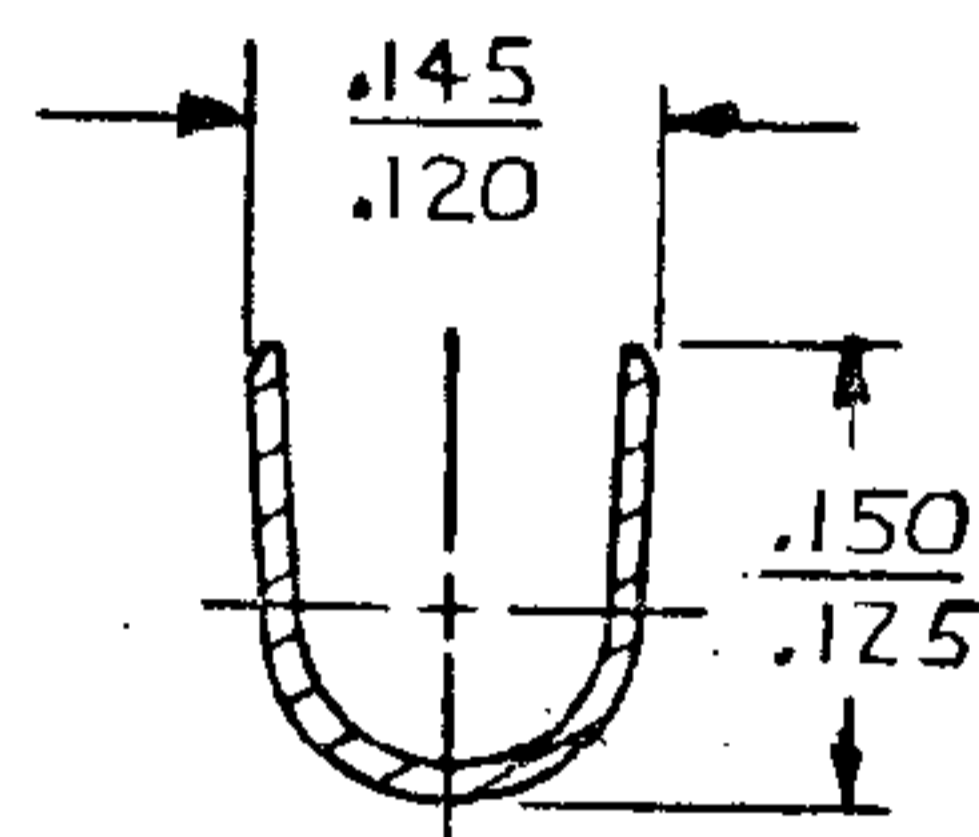
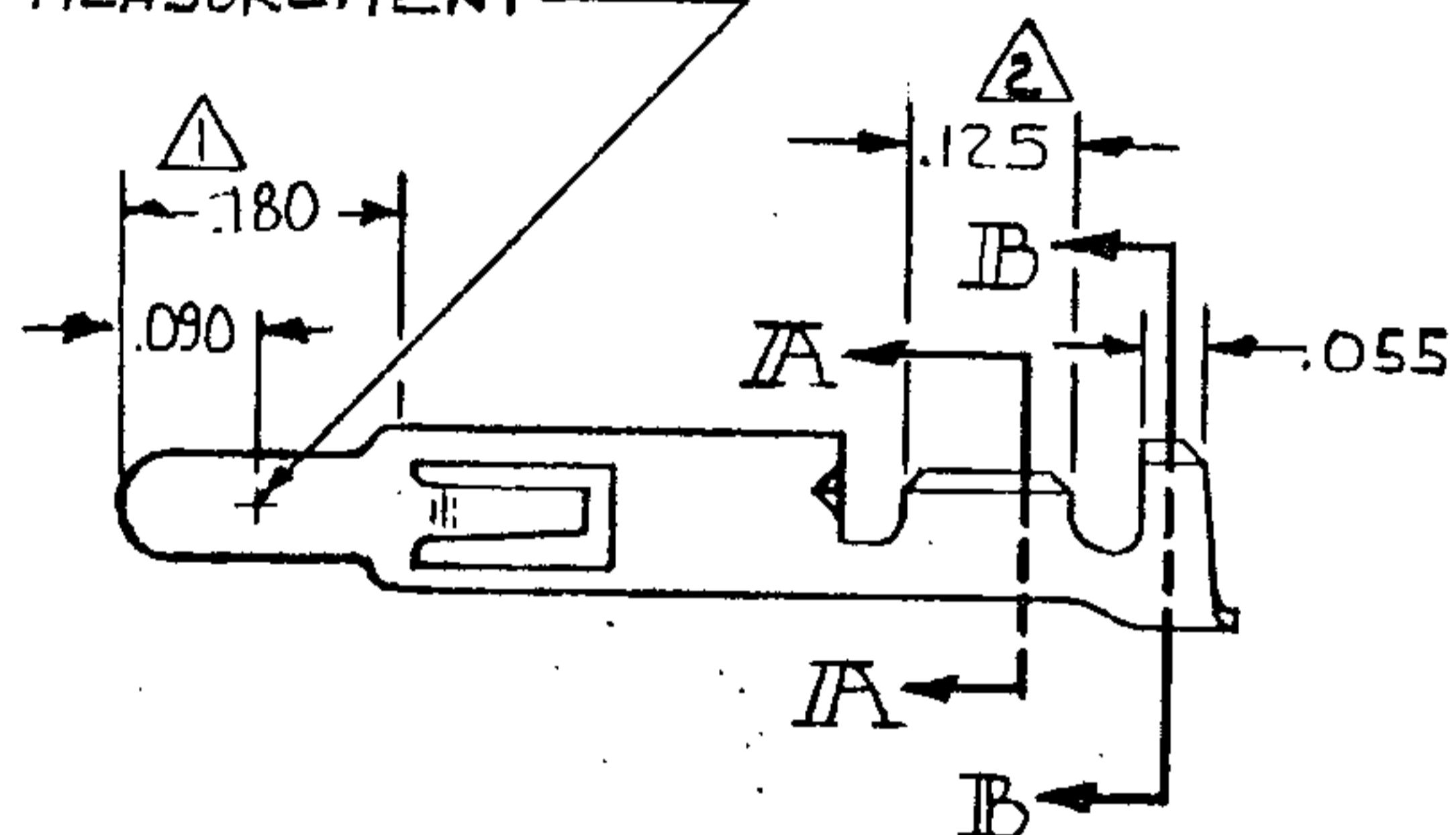
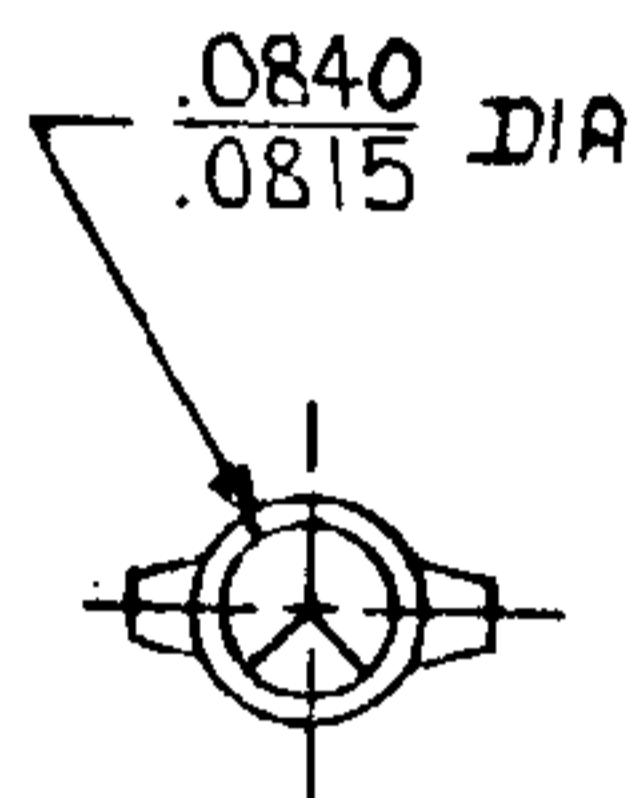


© COPYRIGHT

REVISIONS						
P	F	ZONE	LTR	DESCRIPTION	DATE	APPROVED
			P	REVISED PER ECR-12-013323	10AUG12	TM



POINT OF MEASUREMENT



- 1 PLATED WITH .000030 GOLD, OVER .000050 NICKEL UNDERPLATE.
- 2 PLATED INTERNALLY WITH .000030 GOLD
- 3 INSULATION RANGE: .040-.100 DIA.

FINISH	MATERIAL	PART NO
GOLD 1	.012 BRASS	350690-7
PRE-TIN	.012 PH. BRZ.	350690-3
GOLD 1/2	.012 BRASS	350690-2
PRE-TIN		350690-1

UNLESS OTHERWISE SPECIFIED DIMENSIONS ARE IN INCHES. TOLERANCES ON: DECIMALS ± .015 ANGLES ±	CONTRACT NO	TE Connectivity	
	DR M. FEHER 5-6-81		
WIRE RANGE 24-18 AWG	CHK J.S. Heide 6/9/81	NAME PIN, (LOOSE PIECE) UNIVERSAL MATE-N-LOK	
INSULATION RANGE 3	APPD R. Pollock 6-10-81	SIZE B	CODE IDENT NO 00779
	DSGN APPD	DRAWING NO 350690	
	OTHER APPD	SCALE 4-1	SHEET --

CUSTOMER DRAWING