



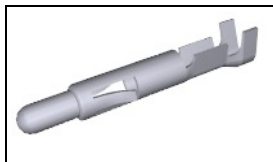
Have a Question?
 Chat with a Product
 Information Specialist

What can we help you find?

[Products](#) |
 [Industries](#) |
 [Resources](#) |
 [About TE](#) |
 [My Account](#) |
 [Innovation](#) |
 [Support Center](#)

350690-3 Product Details

[Share](#) |
 [Print](#) |
 [Email](#)



350690-3

TE Internal Number: 350690-3

Active

View 3D PDF

.250" Centerline, 600 V, 19 - 36 A max

Always EU RoHS/ELV Compliant (Statement of Compliance)

Product Highlights:

- Universal MATE-N-LOK Product Line
- Wire-to-Wire
- Applies To Wire/Cable
- Contact
- Contact Type = Pin

[View all Features](#)

Quick Links

- ▶ [Pricing & Availability](#)
- ▶ [Search for Tooling](#)
- ▶ [View Housings \(206\)](#)
- ▶ [Product Feature Selector](#)
- ▶ [Contact Us About This Product](#)

[Add to My Part List](#) |
 [Request Sample](#) |
 [Find Similar Products](#) |
 [Buy Product](#)

Documentation & Additional Information	
<p>Product Drawings:</p> <ul style="list-style-type: none"> • PIN, (LOOSE PIECE) UNIVERSAL MATE N LOK (TIF, English) <p>Catalog Pages/Data Sheets:</p> <ul style="list-style-type: none"> • SOFT_SHELL_PIN_SOCKET_CONNECTORS_STANDARD_DENSITY (PDF, English) <p>Product Specifications:</p> <ul style="list-style-type: none"> • None Available <p>Application Specifications:</p> <ul style="list-style-type: none"> • Universal MATE-N-LOK Connectors (PDF, English) <p>Instruction Sheets:</p> <ul style="list-style-type: none"> • Universal, Commercial, and .140 MATE-N-LOK Contact ... (PDF, English) <p>CAD Files: (CAD Format & Compression Information)</p> <ul style="list-style-type: none"> • 2D Drawing (DXF, Version N) • 3D Model (IGES, Version N) • 3D Model (STEP, Version N) 	<p>Additional Information:</p> <ul style="list-style-type: none"> • Product Line Information <p>Related Products:</p> <ul style="list-style-type: none"> • Tooling • Housings (206)

[List all Documents](#)

Product Features (Please use the Product Drawing for all design activity)	
<p>Product Type Features:</p> <ul style="list-style-type: none"> • Product Line = Universal MATE-N-LOK • Product Type = Contact • Termination Method to Wire/Cable = Crimp • Strain Relief = Without • Sealed = No • Wire/Cable Type = Discrete Wire • UL File Number = E28476 • CSA File Number = LR 16455 <p>Mechanical Attachment:</p> <ul style="list-style-type: none"> • Contact Retention = With • Contact Retention Type = Locking Lance <p>Electrical Characteristics:</p> <ul style="list-style-type: none"> • Contact - Rated Current (A) = 19 • Operating Voltage Reference = AC • Operating Voltage (VAC) = 600 <p>Termination Features:</p> <ul style="list-style-type: none"> • Wire/Cable Size (mm²) = 0.2 - 0.8 • Wire/Cable Size (AWG) = 18 - 24 <p>Body Features:</p> <ul style="list-style-type: none"> • Wire Type = Stranded <p>Contact Features:</p> <ul style="list-style-type: none"> • Contact Type = Pin 	<p>Industry Standards:</p> <ul style="list-style-type: none"> • Agency/Standard = CSA, UL • RoHS/ELV Compliance = RoHS compliant, ELV compliant • Lead Free Solder Processes = Not relevant for lead free process • RoHS/ELV Compliance History = Always was RoHS compliant • VDE Tested = Yes • UL Rating = Recognized • CSA Rating = Certified <p>Environmental:</p> <ul style="list-style-type: none"> • Operating Temperature (°C [°F]) = -55 - +125 [-67 - +257] <p>Conditions for Usage:</p> <ul style="list-style-type: none"> • Applies To = Wire/Cable • Glow Wire Rating = Standard Part - Not Glow Wire • Accepts Wire Insulation Diameter, Range (mm [in]) = 1.02 - 2.54 [0.040 - 0.100] • For Use With = Splash Proof Seal and Universal Mate-N-LOK Plug and Cap Housing <p>Operation/Application:</p> <ul style="list-style-type: none"> • Application Use = Wire-to-Wire <p>Packaging Features:</p> <ul style="list-style-type: none"> • Packaging Method = Bag • Packaging Quantity = 1,000

- Contact Style = Solid
- Contact Base Material = Phosphor Bronze
- Contact Plating, Mating Area, Material = Pre-Tin
- Multiple Contact Types = Without

Other:

- Brand = AMP

Corporate Information

- [About TE](#)
- [Investors](#)
- [News Room](#)
- [Supplier Portal](#)
- [Careers](#)
- [Terms & Conditions](#)
- [Privacy Policy](#)

Quick Links

- [Distributor Inventory](#)
- [Product Cross Reference](#)
- [Documents & Drawings](#)
- [Product Compliance Support Center](#)
- [Site Map](#)

Customer Support

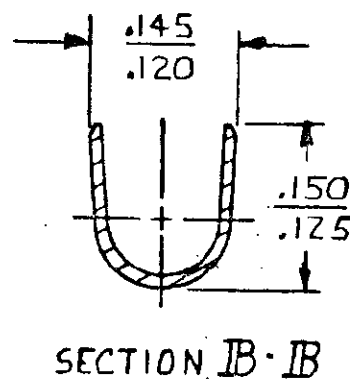
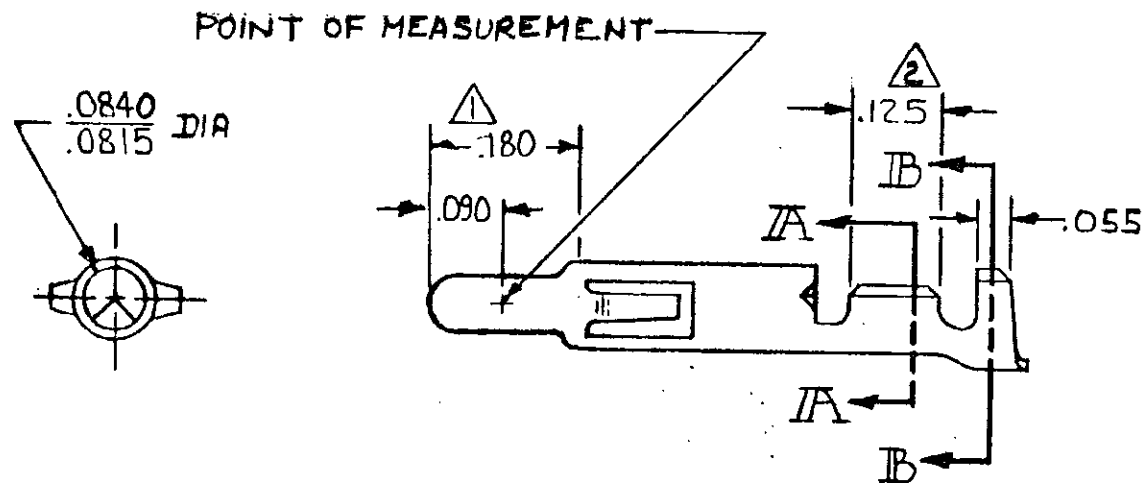
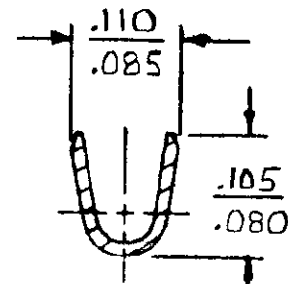
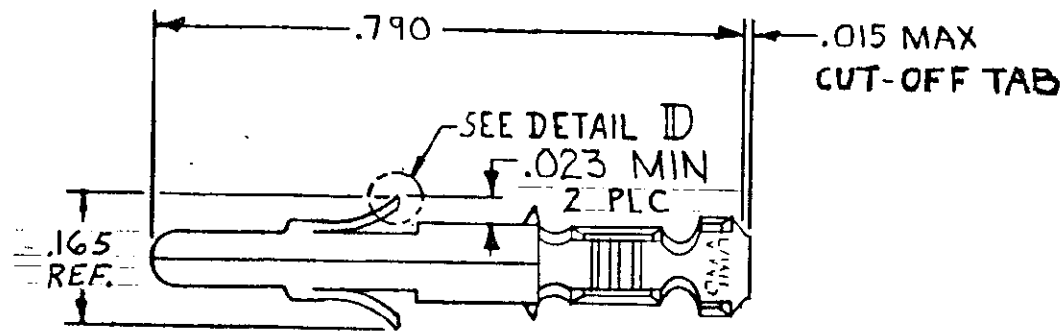
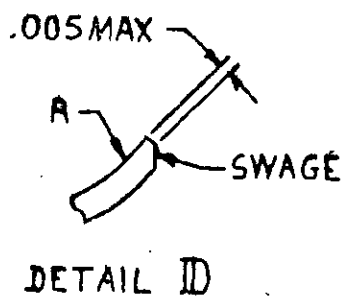
- [Email or Chat With Us](#)
- [Find a Phone Number](#)
- [Knowledge Base](#)
- [Manage Your Account](#)

Keep Me Informed



© COPYRIGHT

REVISIONS						
P	F	ZONE	LTR	DESCRIPTION	DATE	APPROVED
			P	REVISED PER ECR-12-013323	10AUG12	TM



- ① PLATED WITH .000030 GOLD, OVER .000050 NICKEL UNDERPLATE.
- ② PLATED INTERNALLY WITH .000030 GOLD
- ③ INSULATION RANGE: .040-.100 DIA.

GOLD	①	.012 BRASS	350690-7
PRE-TIN		.012 PH. BRZ.	350690-3
GOLD	①/②	.012 BRASS	350690-2
PRE-TIN			350690-1
FINISH		MATERIAL	PART NO

UNLESS OTHERWISE SPECIFIED DIMENSIONS ARE IN INCHES. TOLERANCES ON: DECIMALS ± .015 ANGLES ±	CONTRACT NO		TE Connectivity		
	DR	M. FEHER 5-6-81			
	CHK	J.S. Heide 6/9/81			
WIRE RANGE	APPD	R. Pollock 6-10-81	NAME PIN, (LOOSE PIECE) UNIVERSAL MATE-N-LOK		
INSULATION RANGE	DSGN APPD		SIZE	CODE IDENT NO	DRAWING NO
③	OTHER APPD		B	00779	350690
			SCALE 4-1	SHEET --#	

CUSTOMER DRAWING