

Distributed by:

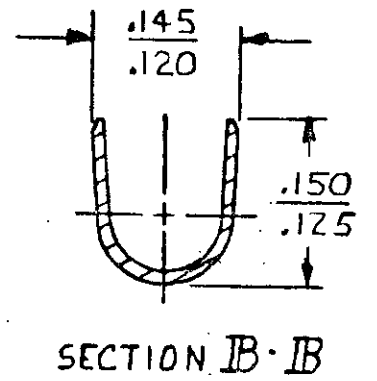
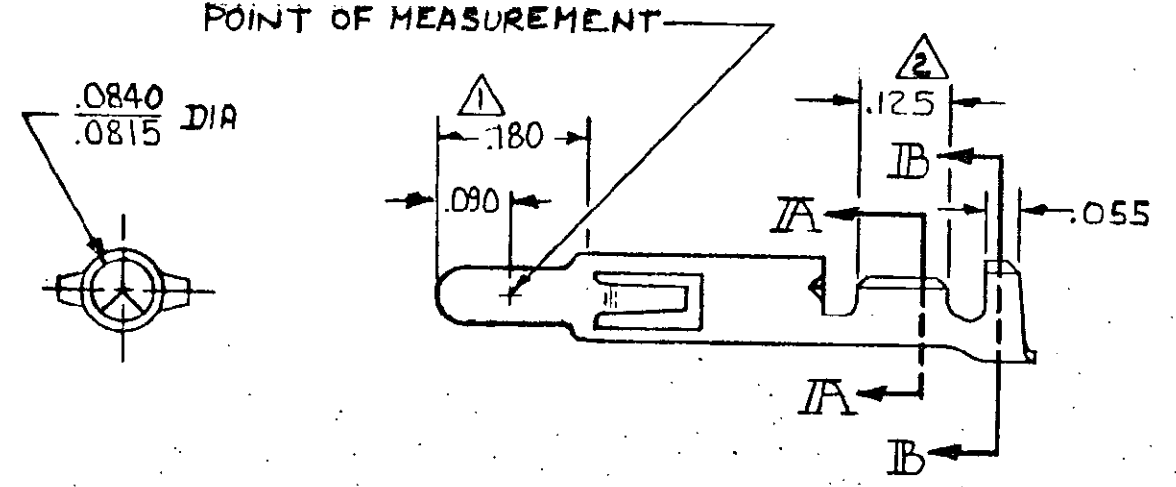
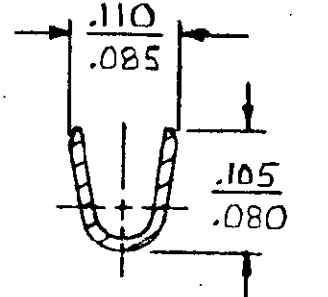
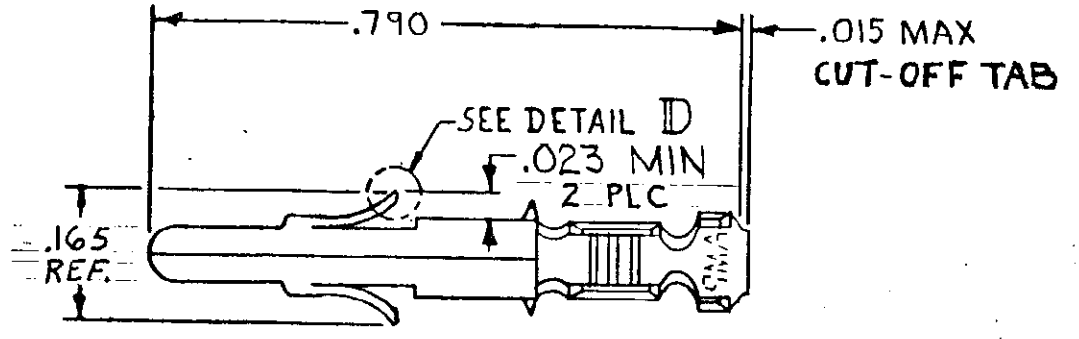
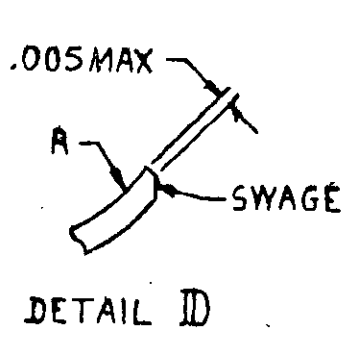
JAMECO[®]
ELECTRONICS

www.Jameco.com ♦ 1-800-831-4242

The content and copyrights of the attached
material are the property of its owner.

Jameco Part Number 846014

© COPYRIGHT 1974 BY AMP INCORPORATED, HARRISBURG, PA.
 ALL INTERNATIONAL RIGHTS RESERVED, AMP INCORPORATED PRODUCTS
 COVERED BY U. S. AND FOREIGN PATENTS AND/OR PATENTS PENDING.



- ① PLATED WITH .000030 GOLD, OVER .000050 NICKEL UNDERPLATE.
- ② PLATED INTERNALLY WITH .000030 GOLD.

		REVISIONS				
P	F	ZONE	LTR	DESCRIPTION	DATE	APPROVED
✓	✓		G	REDRAWN W/D CHANGE	M-6457 6-5-81	MSF/S.H.
✓	✓		H	REVISED	M-7350 7/25/83	DAS/S.H.
✓	✓		J	REVISED	AG 57 10/21/83	St. Kelley, James
✓	✓		J ₁	RESTORED	4/4/85	B.K.O./RS
✓	✓		K	REVISED PER CM-1728	9-6-88	PH TB
✓	✓		L	REVISED PER CM-3286	2-7-91	PKC RS
✓	✓		M	REV PER EC 0730-3607-91	1-7-94	RV RS
✓	✓		N	REV PER EC 0730-0156-94	8-24-94	RV RS

FINISH	MATERIAL	PART NO
GOLD ①	.012 BRASS	350690-7
PRE-TIN	.012 PH. BRZ.	350690-3
GOLD ①/②	.012 BRASS	350690-2
PRE-TIN		350690-1

UNLESS OTHERWISE SPECIFIED DIMENSIONS ARE IN INCHES. TOLERANCES ON: DECIMALS ± .015 ANGLES ±		CONTRACT NO		AMP AMP INCORPORATED Harrisburg, Pa.	
WIRE RANGE 24-18 AWG		DR <i>M. FEHER 5-6-81</i>			
INSULATION RANGE .100 DIA MAX		CHK <i>J.S. Heide 6/9/81</i>		NAME PIN, (LOOSE PIECE) UNIVERSAL MATE-N-LOK	
		APPD <i>R. Pollock 6-10-81</i>		SIZE B	
		DSGN APPD		CODE IDENT NO 00779	
		OTHER APPD		DRAWING NO 350690	
				SCALE 4-1	
				SHEET -H-	