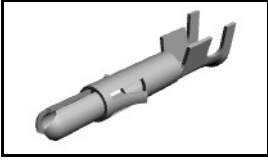


350705-7 Product Details

[Share](#) [Print](#) [Email](#)




350705-7

TE Internal Number: 350705-7

 Active

[View 3D PDF](#)

.250" Centerline, 600 V, 19 - 36 A max

 Always EU RoHS/ELV Compliant
(Statement of Compliance)

Product Highlights:

- Universal MATE-N-LOK Product Line
- Wire-to-Wire
- Applies To Wire/Cable
- Contact
- Contact Type = Pin

[View all Features](#)

Quick Links

- ▶ [Pricing & Availability](#)
- ▶ [Search for Tooling](#)
- ▶ [View Housings \(206\)](#)
- ▶ [Product Feature Selector](#)
- ▶ [Contact Us About This Product](#)

[Add to My Part List](#)

[Request Sample](#)

[Find Similar Products](#)

[Buy Product](#)

Documentation & Additional Information

Product Drawings:

- [SPLIT PIN, \(LOOSE PIECE\) UNIVERSAL MATE-N-LOK \(TIF, English\)](#)

Catalog Pages/Data Sheets:

- [SOFT_SHELL_PIN_SOCKET_CONNECTORS_STANDARD_DENSITY \(PDF, English\)](#)

Product Specifications:

- None Available

Application Specifications:

- [Universal MATE-N-LOK Connectors \(PDF, English\)](#)

Instruction Sheets:

- [Universal, Commercial, and .140 MATE-N-LOK Contact ... \(PDF, English\)](#)

CAD Files: (CAD Format & Compression Information)

- [2D Drawing \(DXF, Version J\)](#)
- [3D Model \(IGES, Version J\)](#)
- [3D Model \(STEP, Version J\)](#)

[List all Documents](#)

Additional Information:

- [Product Line Information](#)

Related Products:

- [Tooling](#)
- [Housings \(206\)](#)

Product Features (Please use the Product Drawing for all design activity)

Product Type Features:

- Product Line = Universal MATE-N-LOK
- Product Type = Contact
- Termination Method to Wire/Cable = Crimp
- Strain Relief = Without
- Sealed = No
- Wire/Cable Type = Discrete Wire
- UL File Number = E28476
- CSA File Number = LR 16455

Mechanical Attachment:

- Contact Retention = With
- Contact Retention Type = Locking Lance

Electrical Characteristics:

- Contact - Rated Current (A) = 19

Industry Standards:

- Agency/Standard = UL, CSA
- [RoHS/ELV Compliance](#) = RoHS compliant, ELV compliant
- [Lead Free Solder Processes](#) = Not relevant for lead free process
- RoHS/ELV Compliance History = Always was RoHS compliant
- VDE Tested = Yes
- UL Rating = Recognized
- CSA Rating = Certified

Environmental:

- Operating Temperature (°C [°F]) = -55 - +125 [-67 - +257]

Conditions for Usage:

- Operating Voltage Reference = AC
- Operating Voltage (VAC) = 600

Termination Features:

- Wire/Cable Size (mm²) = 0.5 - 2
- Wire/Cable Size (AWG) = 14 - 20

Body Features:

- Wire Type = Stranded
- Underplate Material Thickness (µm [µin]) = 1.27 [50.000]

Contact Features:

- Contact Type = Pin
- Contact Style = Split
- Contact Base Material = Brass
- Contact Plating, Mating Area, Material = Gold
- Multiple Contact Types = Without
- Contact Plating, Mating Area, Thickness (µm [µin]) = 0.76 [29.92]
- Underplate Material = Nickel

- Applies To = Wire/Cable
- Glow Wire Rating = Standard Part - Not Glow Wire
- Accepts Wire Insulation Diameter, Range (mm [in]) = 1.52 - 3.30 [0.060 - 0.130]
- For Use With = Universal MATE-N-LOK Plug or Socket Housing

Operation/Application:

- Application Use = Wire-to-Wire

Packaging Features:

- Packaging Method = Bag
- Packaging Quantity = 1,000

Other:

- Brand = AMP

Corporate Information

- [About TE](#)
- [Investors](#)
- [News Room](#)
- [Supplier Portal](#)
- [Careers](#)
- [Terms & Conditions](#)
- [Privacy Policy](#)

Quick Links

- [Distributor Inventory](#)
- [Product Cross Reference](#)
- [Documents & Drawings](#)
- [Product Compliance Support Center](#)
- [Site Map](#)

Customer Support

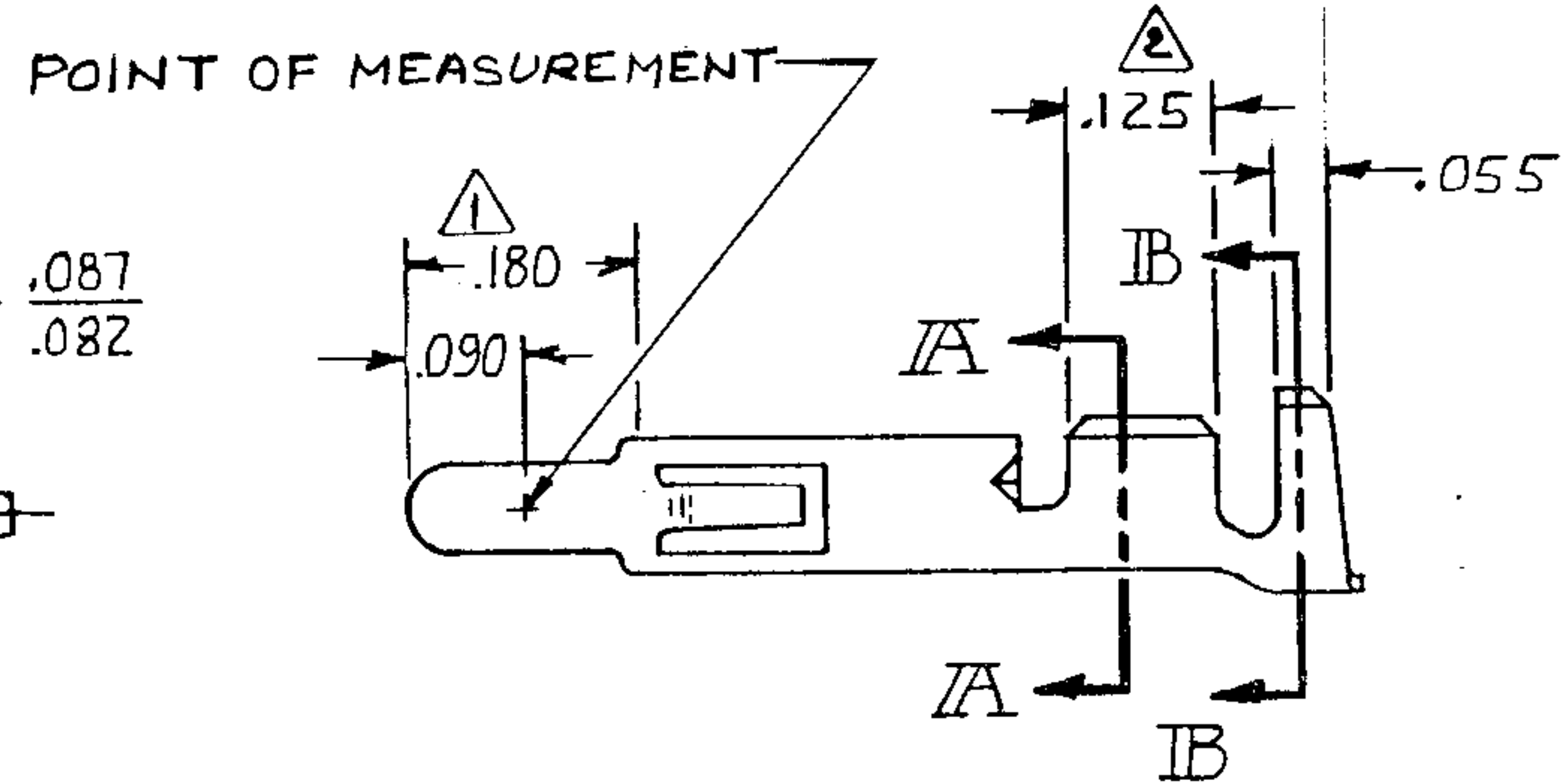
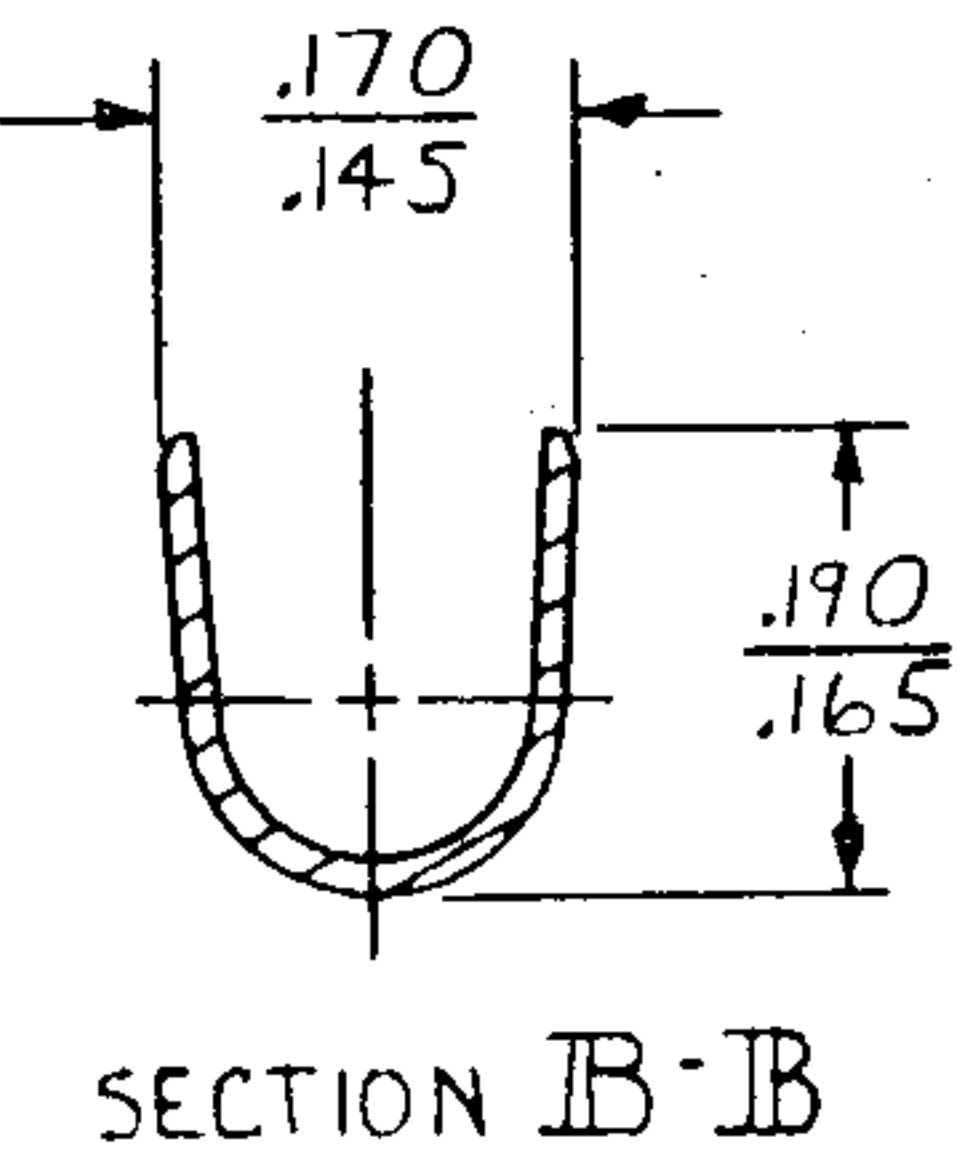
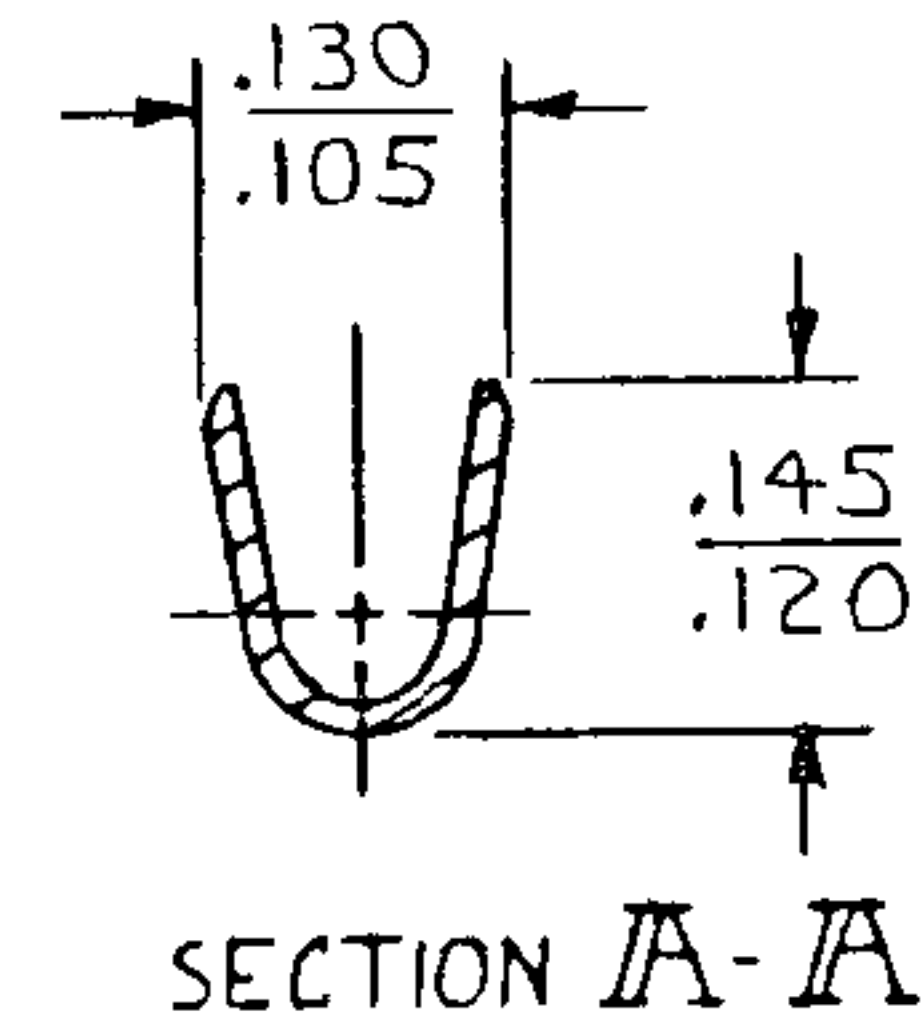
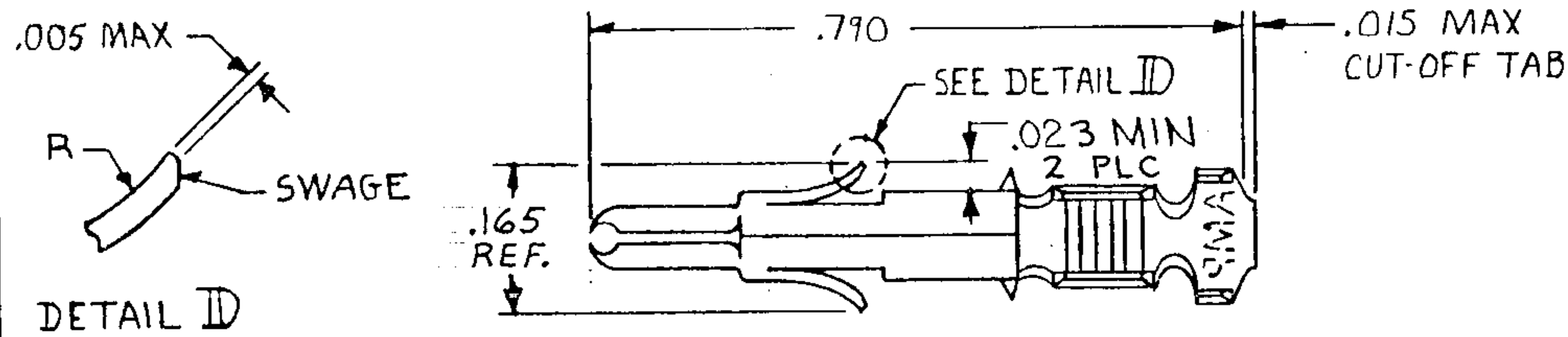
- [Email or Chat With Us](#)
- [Find a Phone Number](#)
- [Knowledge Base](#)
- [Manage Your Account](#)

Keep Me Informed



© COPYRIGHT

REVISIONS						
P	F	ZONE	LTR	DESCRIPTION	DATE	APPROVED
			K	REVISED PER ECR-12-013323	10AUG12	TM



- ① PLATED WITH .000030 GOLD, OVER .000050 NICKEL UNDERPLATE.
- ② PLATED INTERNALLY WITH .000030 GOLD.
- ③ INSULATION RANGE: .060-.130 DIA.

MATERIAL	FINISH	PART NO
.012 BRASS	GOLD ①	350705-7
.012 BRASS	GOLD ①/②	350705-2
	PRE-TIN	350705-1

UNLESS OTHERWISE SPECIFIED DIMENSIONS ARE IN INCHES. TOLERANCES ON: DECIMALS ±.015 ANGLES ±	CONTRACT NO	TE Connectivity		
	DR <i>m.FEHER 4-8-81</i>			
	CHK <i>D.S. Heide 4/9/81</i>	NAME	SPLIT PIN, (LOOSE PIECE) UNIVERSAL MATE-N-LOK	
	APPD <i>R. Colchuck 6-10-81</i>	APPD		
WIRE RANGE 20-14 AWG	DSGN APPD	SIZE B	CODE IDENT NO 00779	DRAWING NO 350705
INSULATION RANGE ③	OTHER APPD	SCALE 4-1	SHEET	