

Distributed by:

**JAMECO**<sup>®</sup>  
ELECTRONICS

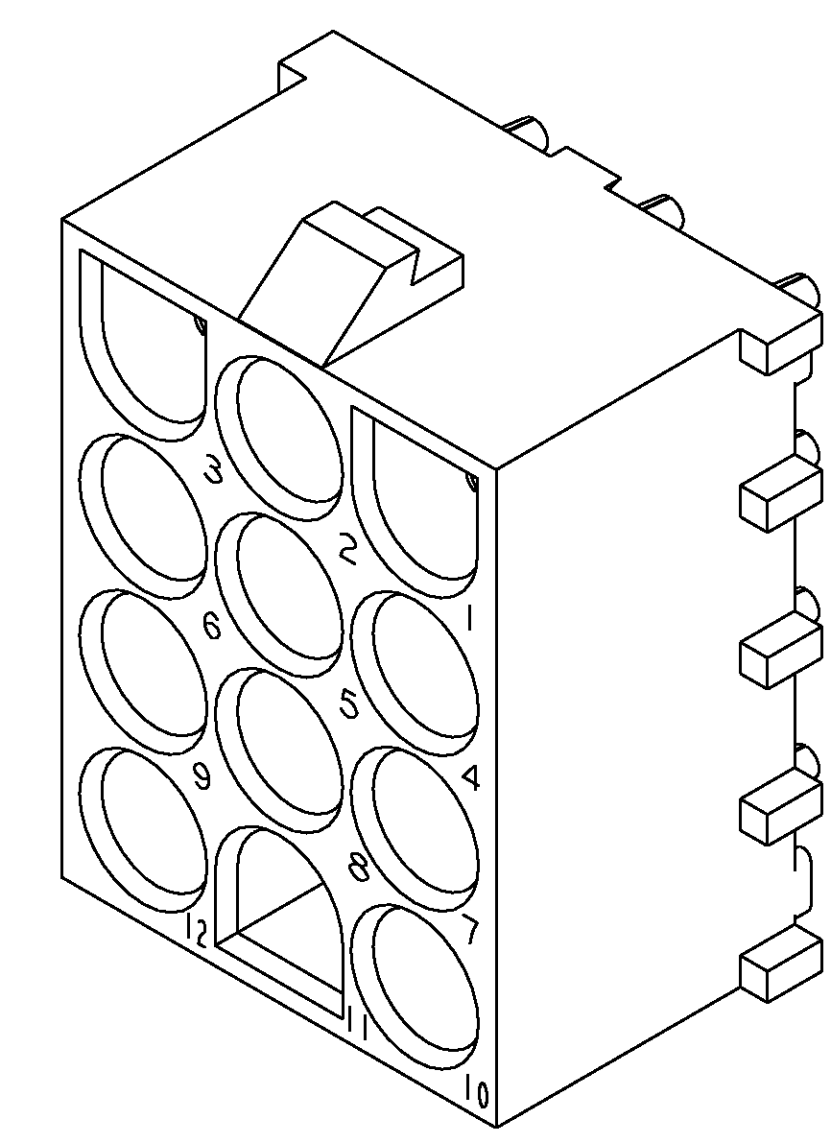
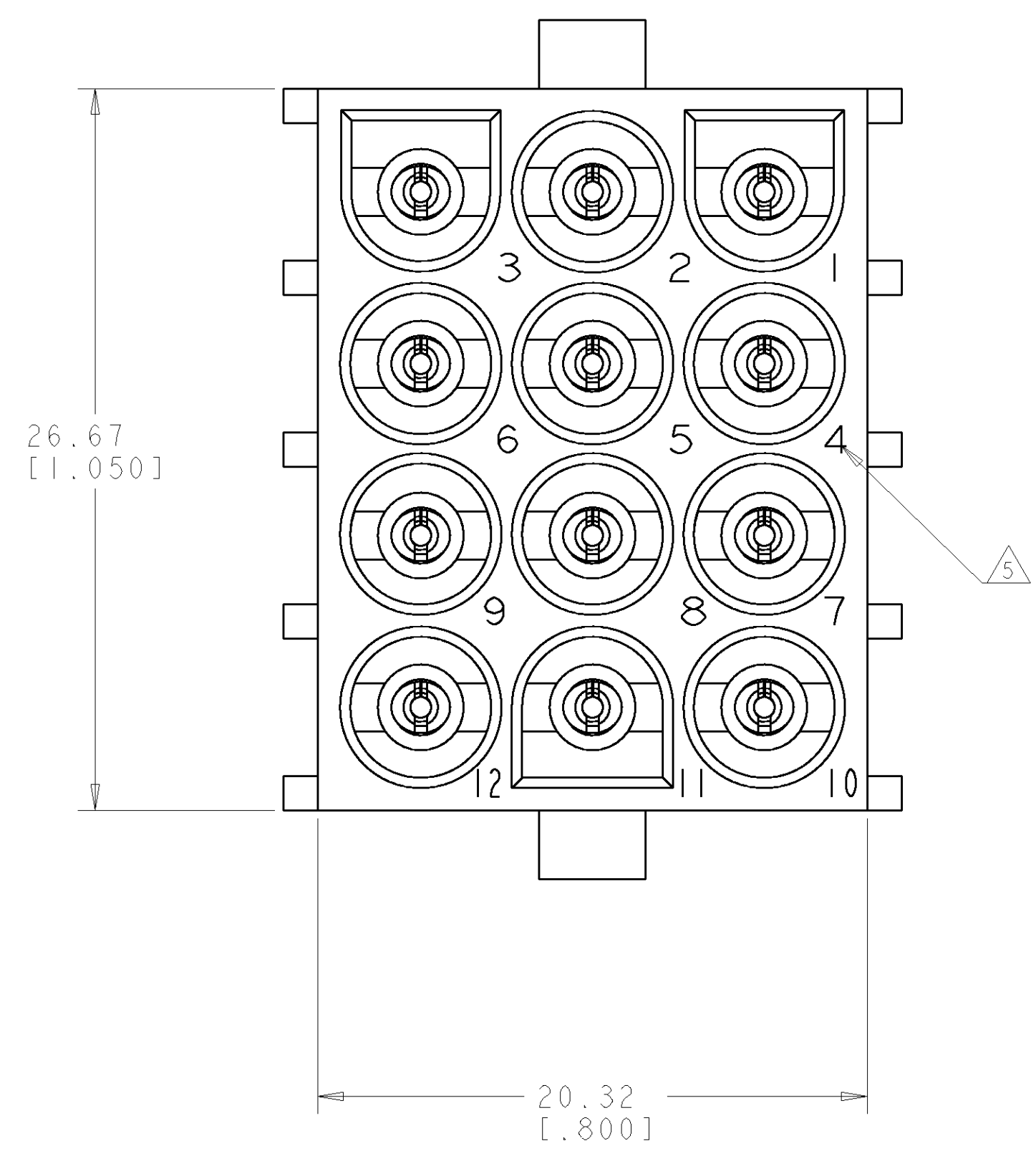
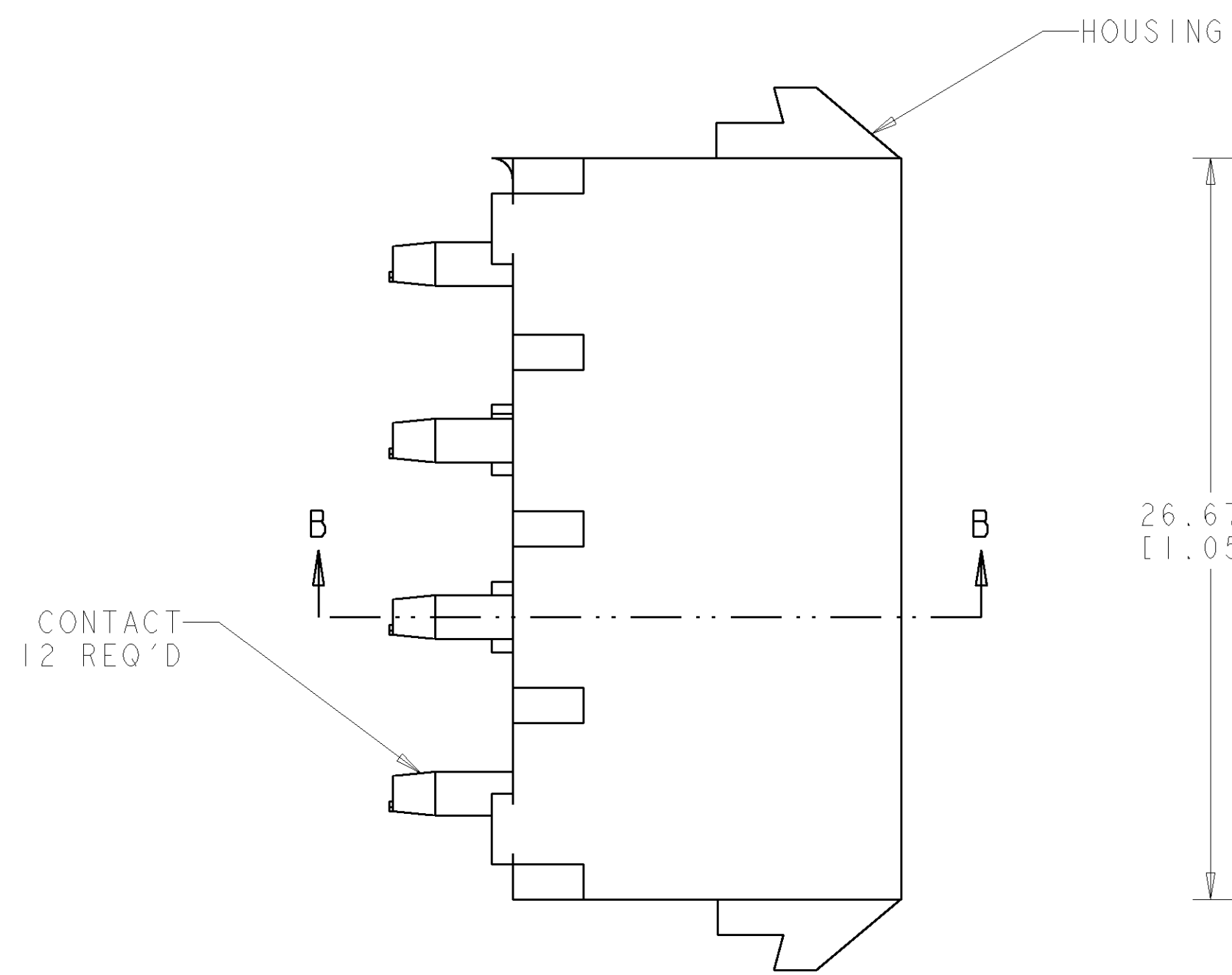
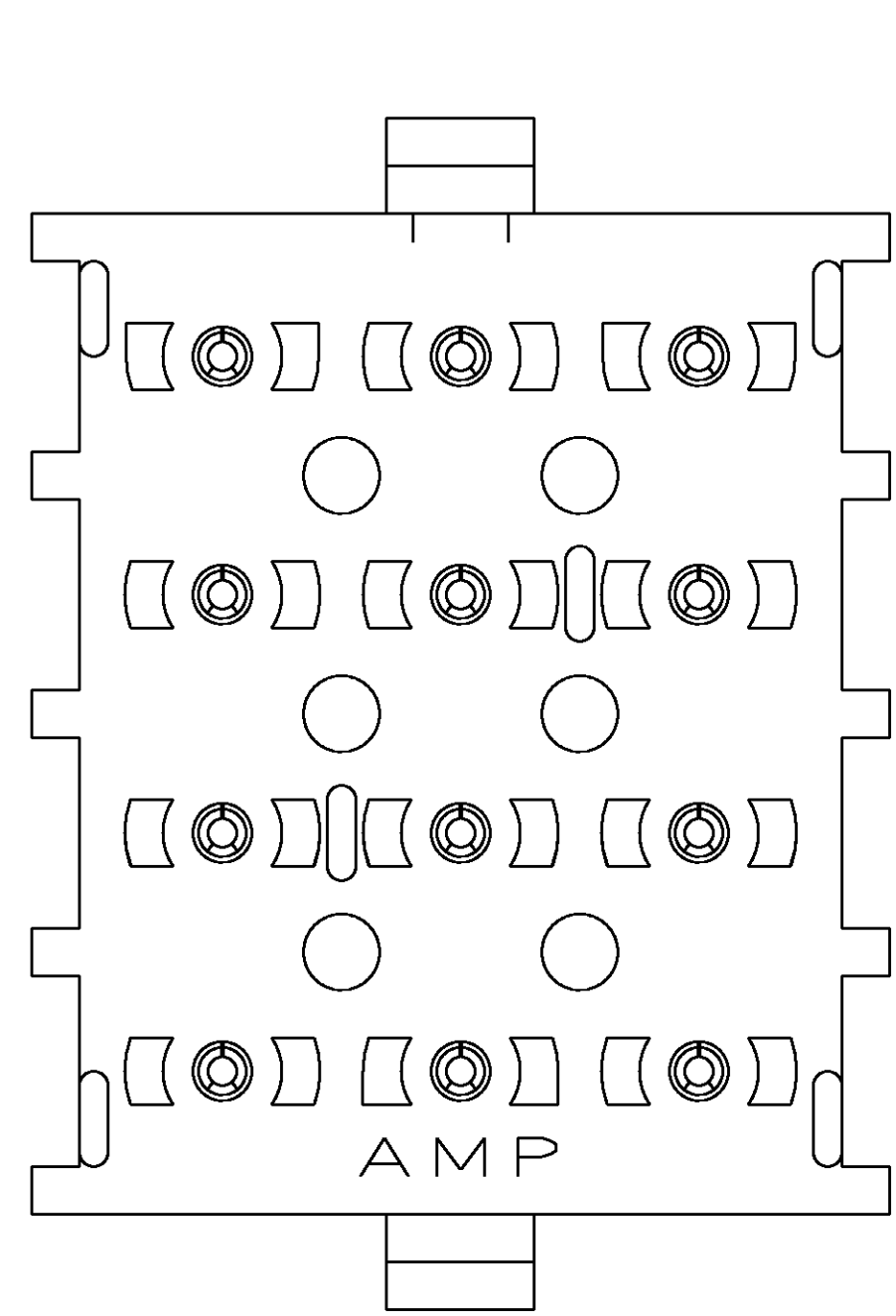
**www.Jameco.com ♦ 1-800-831-4242**

The content and copyrights of the attached  
material are the property of its owner.

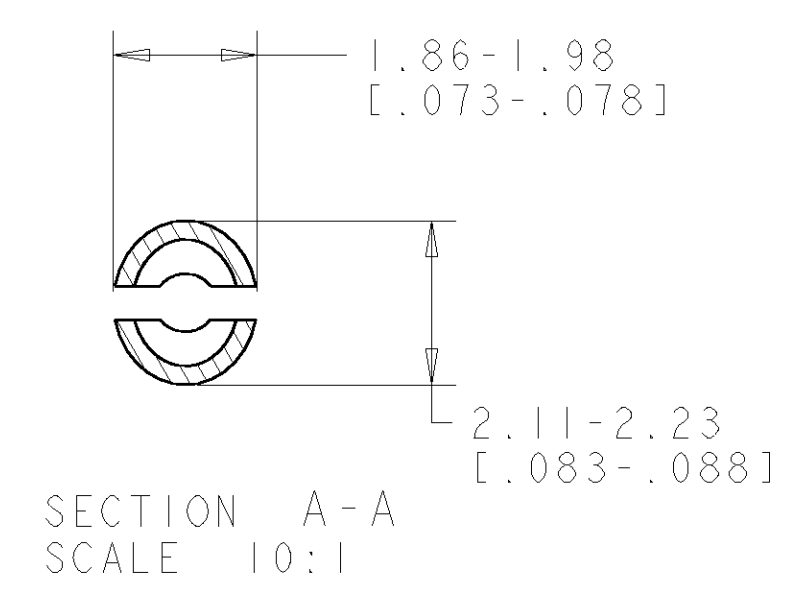
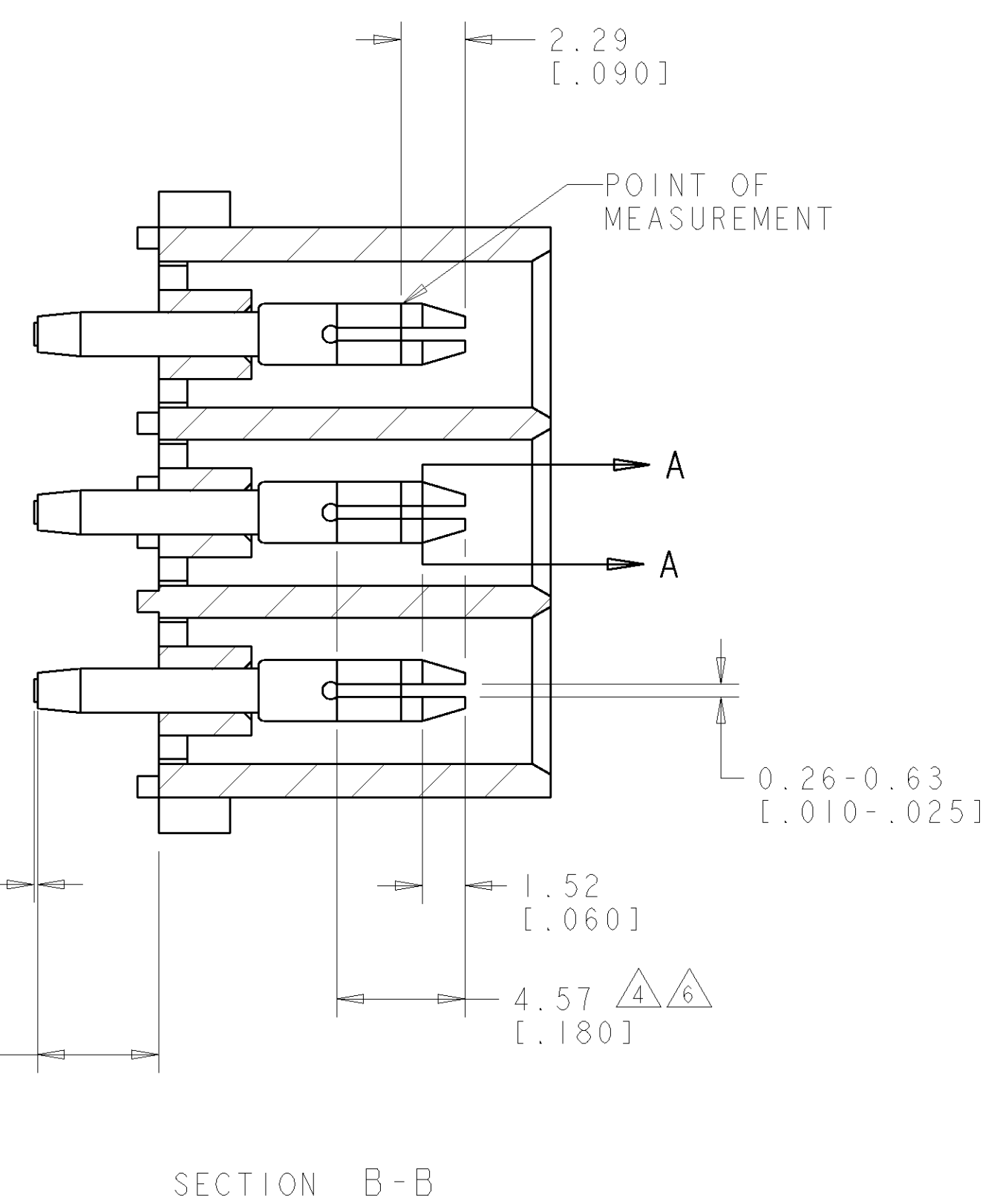
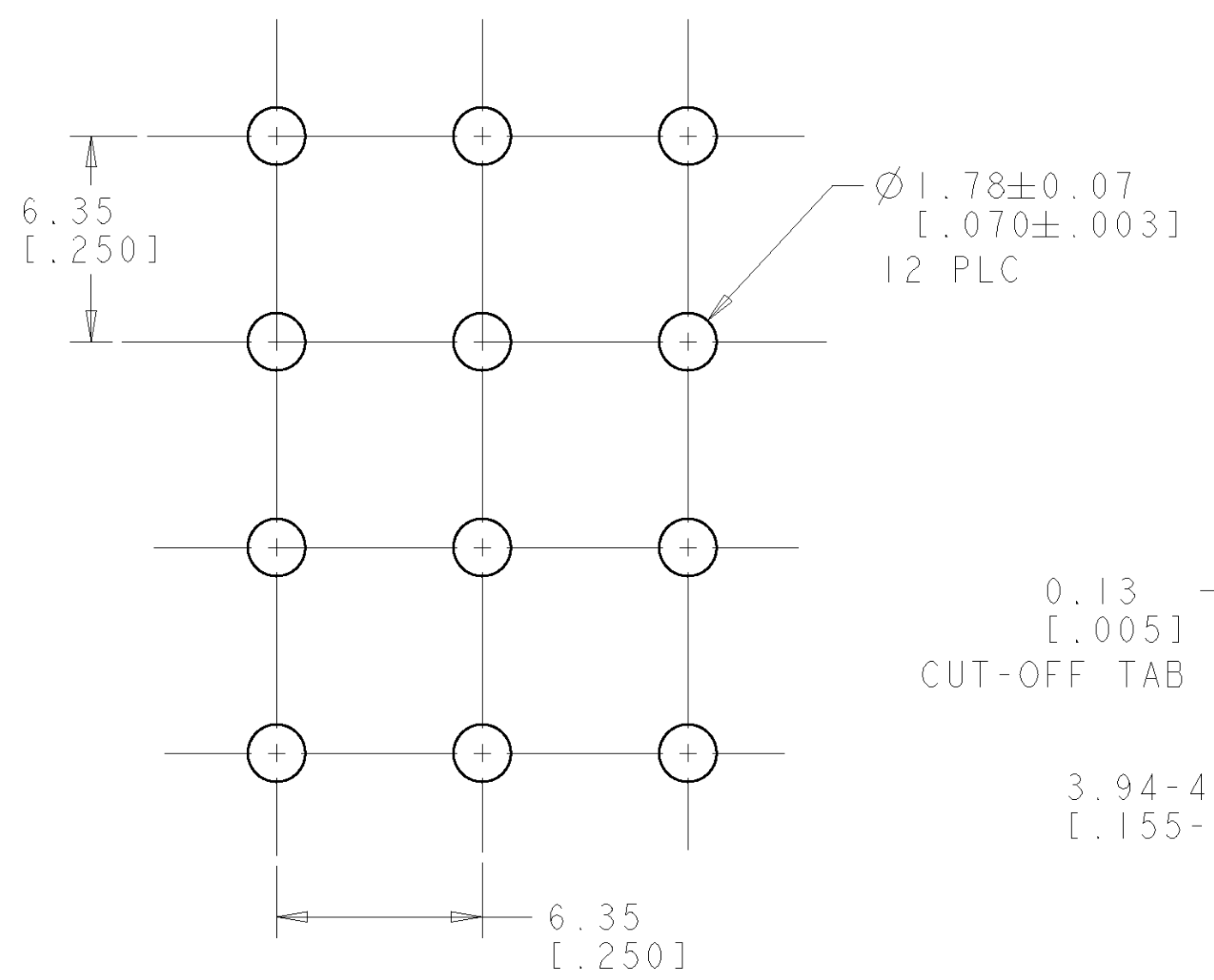
Jameco Part Number 941695

LOC		DIST		REVISIONS			
CM	00	TR	LYR	DESCRIPTION	DATE	DWN	APVD
		M		REVISED PER 0G3B-1100-04	25JULY05	KW	SR

- MATES WITH HOUSING 350735.
- NOTE DELETED.
- PARTS COMPLY TO AMP SOLDERABILITY SPECIFICATION 109-11-3.
- CONTACT IS PLATED OVERALL WITH 0.00127 [0.00050] NICKEL, THEN 0.00076 [0.00030] GOLD OVER CONTACT LENGTH INDICATED AND TIN LEAD ON SOLDER TAIL END.
- CIRCUIT IDENTIFICATION CHARACTERS ARE ADJACENT TO THE INDICATED CAVITIES, BUT LOCATION AND ORIENTATION MAY DIFFER FROM PRINT.
- CONTACT IS PLATED OVERALL WITH 0.00127 [0.00050] NICKEL, THEN 0.00076 [0.00030] GOLD OVER CONTACT LENGTH INDICATED AND MATTE TIN ON SOLDER TAIL END.
- DIMENSIONS IN BRACKETS ARE IN INCHES.

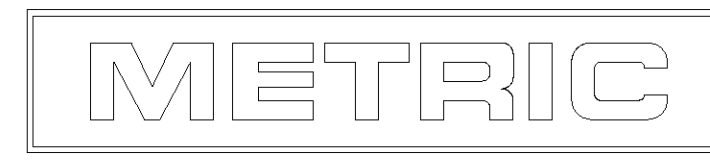


3 DIMENSIONAL MODEL  
SCALE 4:1



PIN CONTACT MATERIAL AND FINISH	HOUSING MATERIAL AND COLOR	PART NUMBER
PHOSPOR BRONZE, GOLD $\Delta_6$	NYLON, UL94V-0, NATURAL	350713-4
PHOSPOR BRONZE, GOLD $\Delta_4$	NYLON, UL94V-0, NATURAL	350713-2
PHOSPOR BRONZE, PRE-TIN	NYLON, UL94V-0, NATURAL	350713-1

RECOMMENDED MOUNTING HOLE PATTERN FOR 1.57 [0.062] THICK P.C. BOARD HOLE THAT CORRESPONDS TO REMOVED CONTACT CAN BE OMITTED



DIMENSIONS: mm [INCHES]		TOLERANCES UNLESS OTHERWISE SPECIFIED: 0 PLC ± 1 PLC ± 2 PLC ±0.13 [0.005] 3 PLC ± 4 PLC ± ANGLES ±40° 30'		DWN: K. WHITAKER 25JULY2005 CDR: S. RIDGILL 25JULY2005 APVD: S. RIDGILL 25JULY2005	Tyco Electronics Harrisberg, PA 17105-3608
MATERIAL: SEE TABLE		FINISH: SEE TABLE		NAME: PIN HEADER ASSEMBLY, 12 CIRCUIT, UNIVERSAL MATE-N-LOK(TM) SIZE: A1 CAGE CODE: 00779 DRAWING NO: 350713	RESTRICTED TO: M
CUSTOMER DRAWING		SCALE: 1:1		SHEET 1 OF 1	