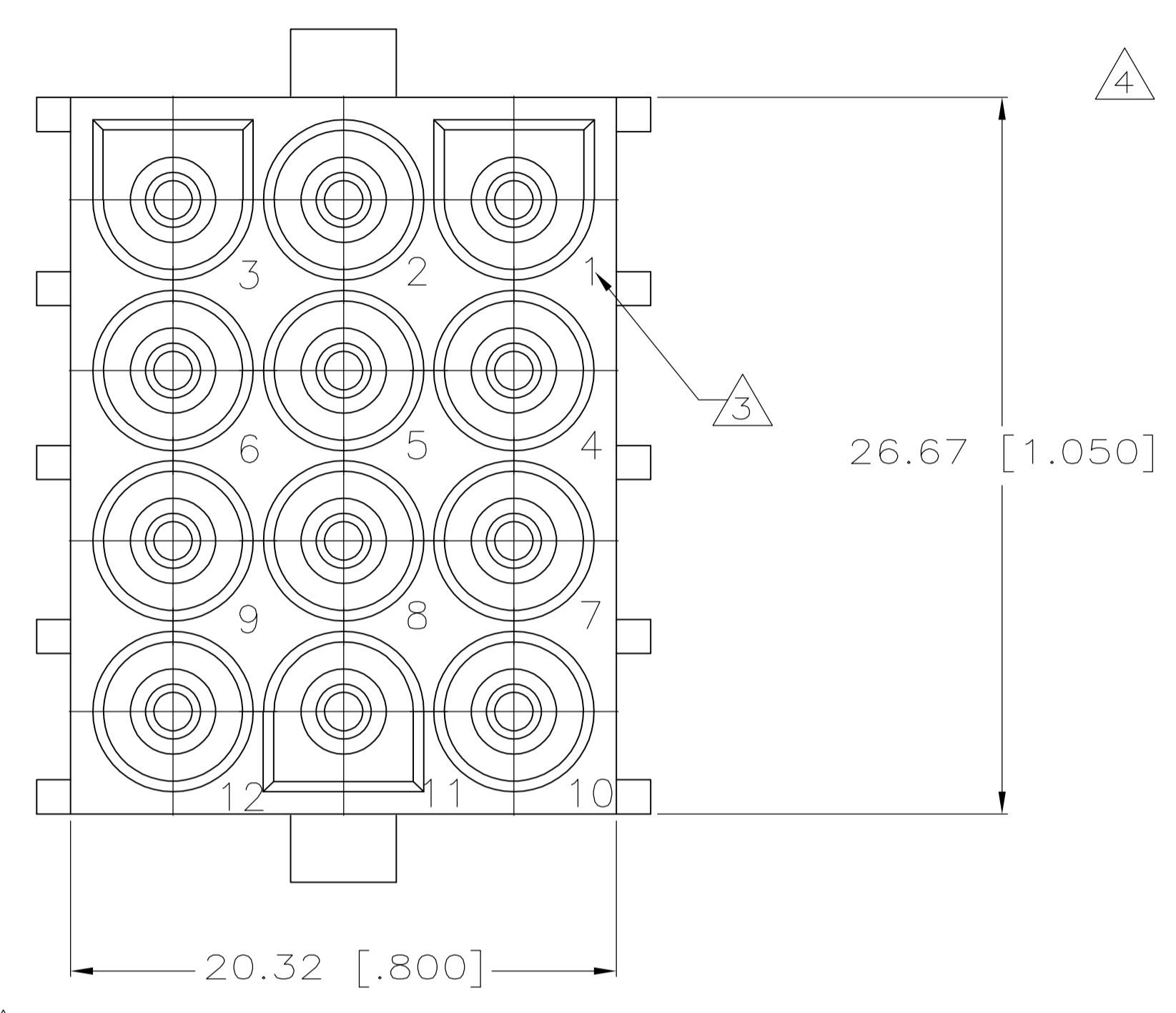
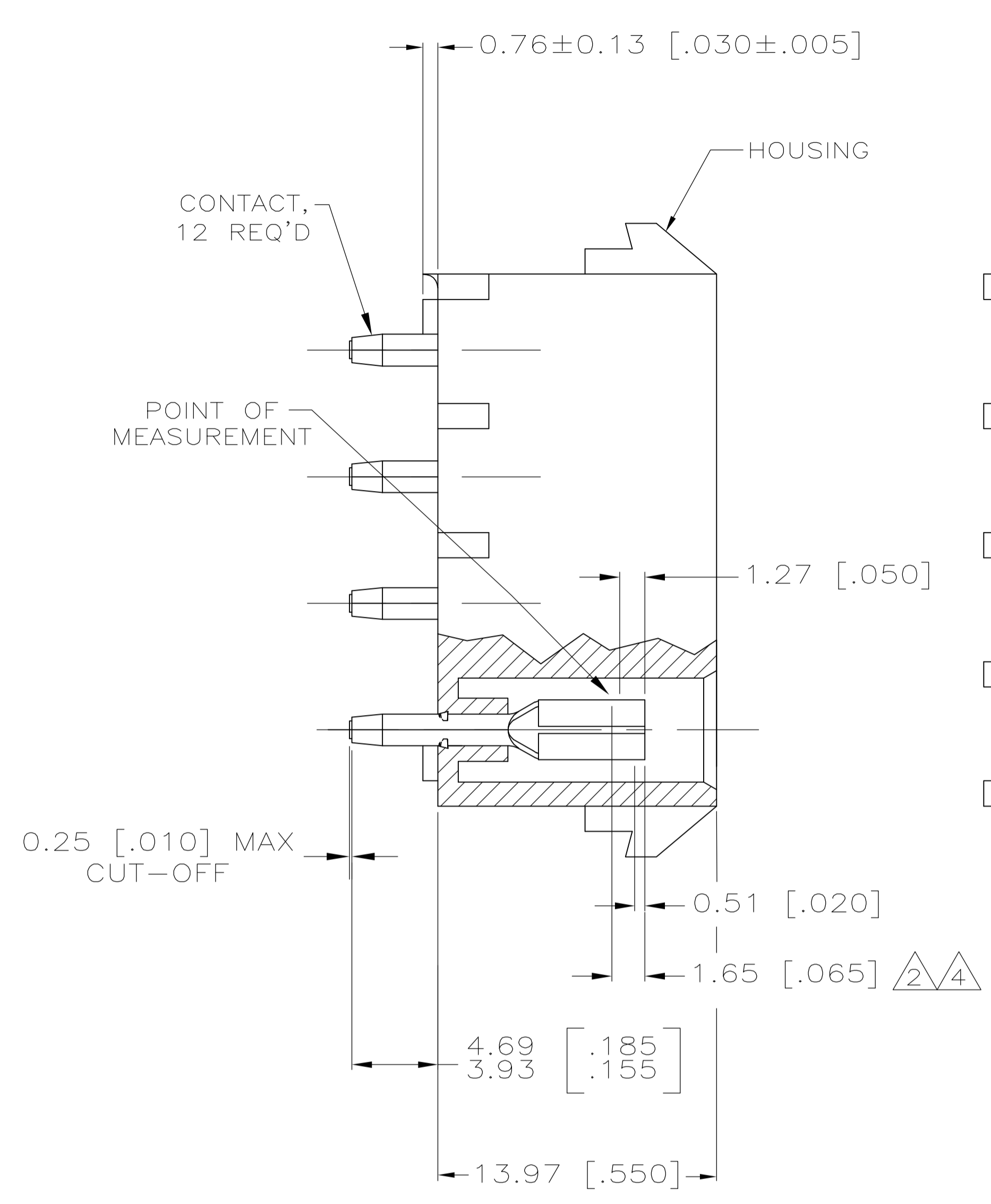
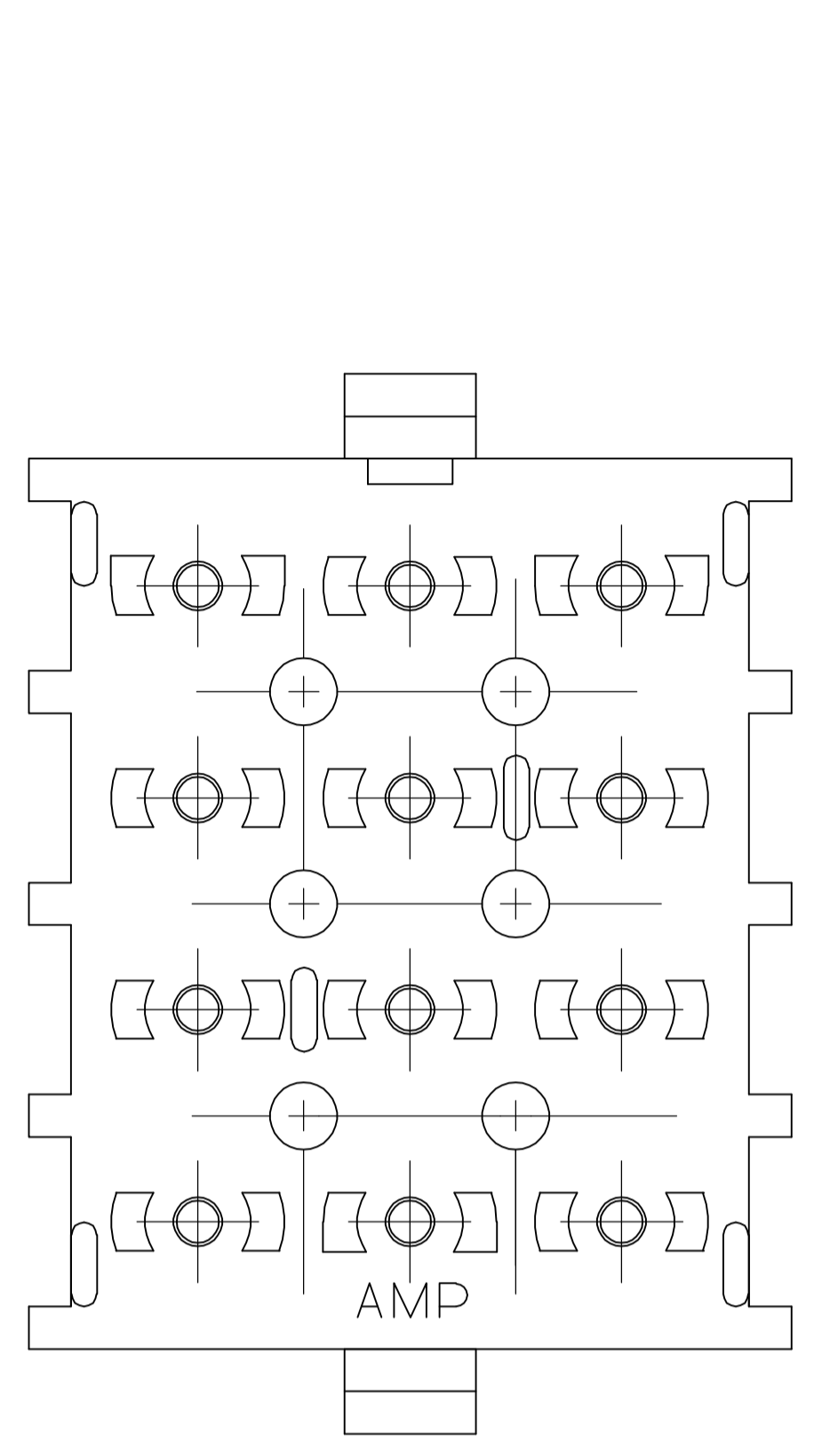
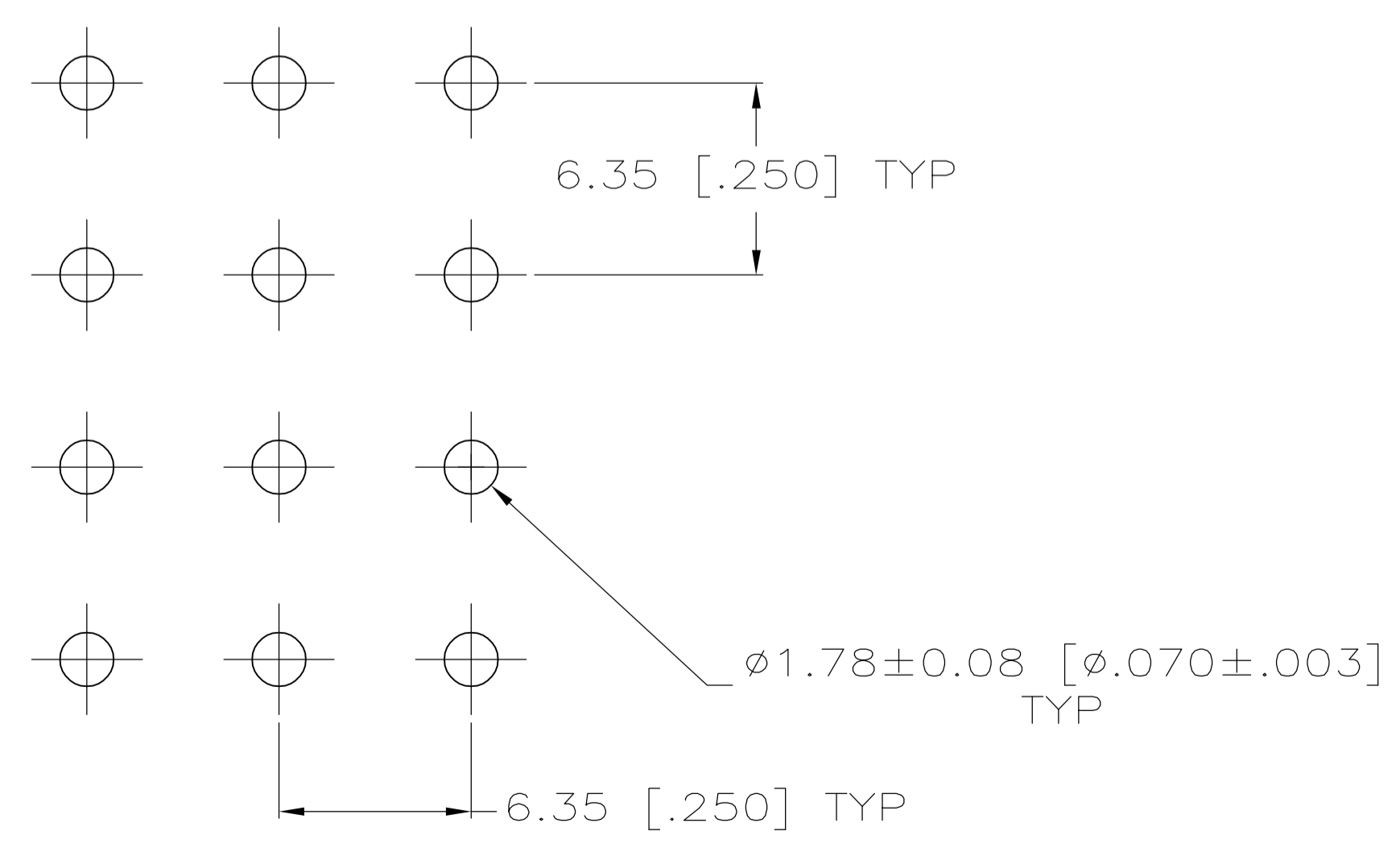


| LOC | | DIST | | REVISIONS | | | |
|-----|-----|---------------------------|---------|-----------|------|--|--|
| P | LTR | DESCRIPTION | DATE | OWN | APVD | | |
| P | | REVISED PER ECO-06-003643 | 20FEB05 | KW | SR | | |



1. PARTS MUST COMPLY WITH AMP SOLDERABILITY SPEC 109-11-3.
2. CONTACT IS STAMPED FROM PRE-PLATED STOCK WHICH IS PLATED OVERALL WITH 0.00127 [.000050] NICKEL, THEN STRIPED WITH 0.00076 [.000030] GOLD IN CONTACT AREA INDICATED AND TIN-LEAD ON SOLDER TAIL END.
3. CIRCUIT IDENTIFICATION CHARACTERS ARE ADJACENT TO THE INDICATED CAVITIES, BUT LOCATION AND ORIENTATION MAY DIFFER FROM PRINT.
4. CONTACT IS PLATED OVERALL WITH 0.00127 [.000050] NICKEL, THEN 0.00076 [.000030] GOLD OVER CONTACT LENGTH INDICATED AND MATTE TIN ON SOLDER TAIL END.



RECOMMENDED LAYOUT FOR 1.58 [.062] THICK PC BOARD

| | | |
|---------------|----------------|----------|
| PH BRZ GOLD 4 | NYLON, NATURAL | 350764-5 |
| PH BRZ TIN | NYLON, NATURAL | 350764-4 |
| PH BRZ GOLD 2 | NYLON, NATURAL | 350764-3 |
| CONTACT | HOUSING | PART NO |

THIS DRAWING IS A CONTROLLED DOCUMENT.

| | | | | | | |
|----------------------------|--|----------------------------|----------------------------|----------------------------|--------------------|---|
| DIMENSIONS: mm (INCHES) | TOLERANCES UNLESS OTHERWISE SPECIFIED: | OWN: K. WHITAKER 11OCT2005 | APVD: S. RIDGILL 11OCT2005 | NAME: S. RIDGILL 11OCT2005 | TYCO Electronics | Tyco Electronics Corporation Harrisburg, PA 17105-3608 |
| 0 PLC ± | 1 PLC ± | 2 PLC ± | 3 PLC ± 0.13 [.005] | 4 PLC ± | APPLICATION SPEC | SIZE: A1 |
| MATERIAL: SEE TABLE | FINISH: SEE TABLE | WEIGHT: — | RESTRICTED TO: — | CAGE CODE: 00779 | DRAWING NO: 350764 | SCALE: 5:1 |
| CUSTOMER DRAWING | | | SHEET 1 OF 1 | | REV P | |

