

Distributed by:

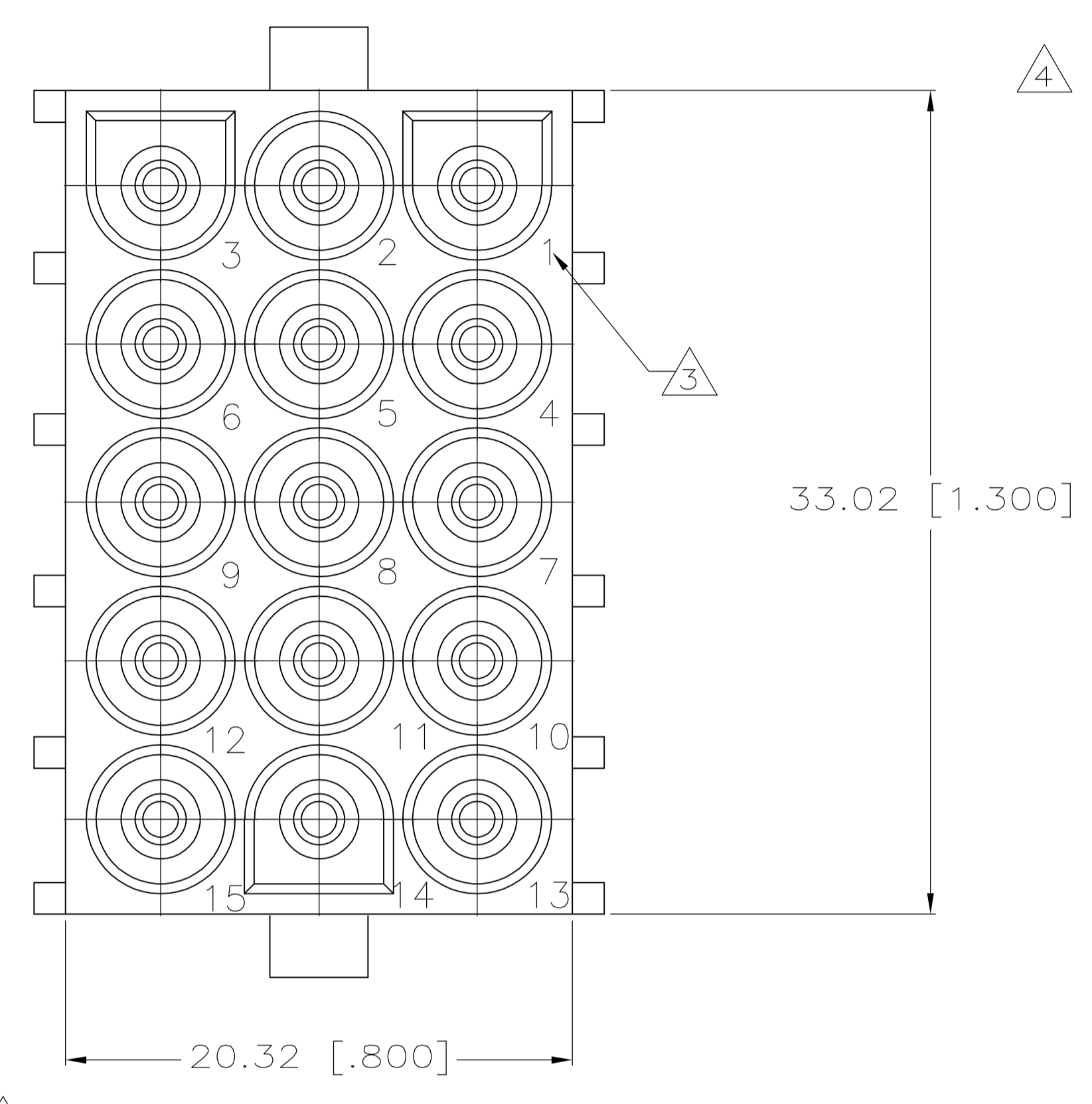
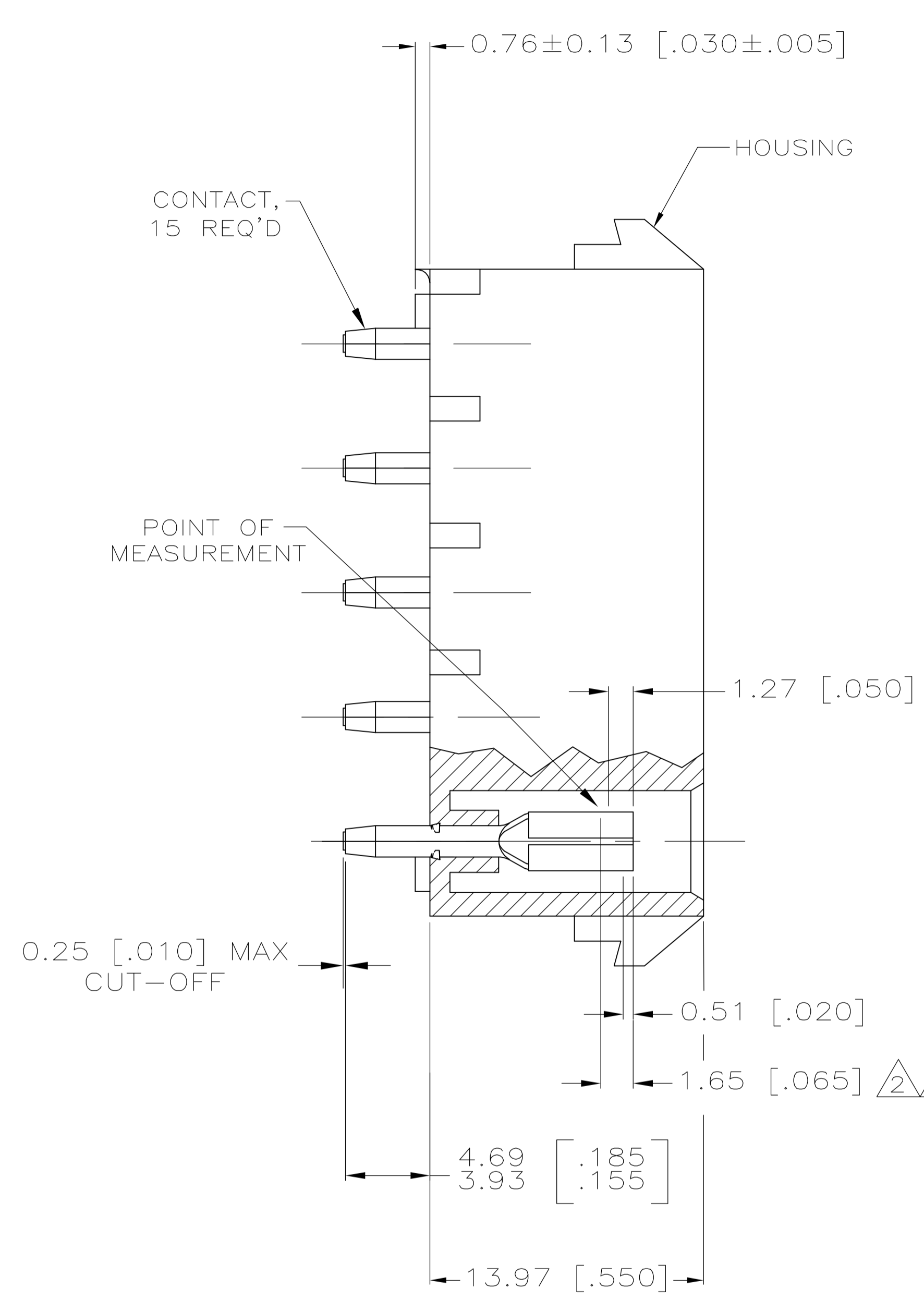
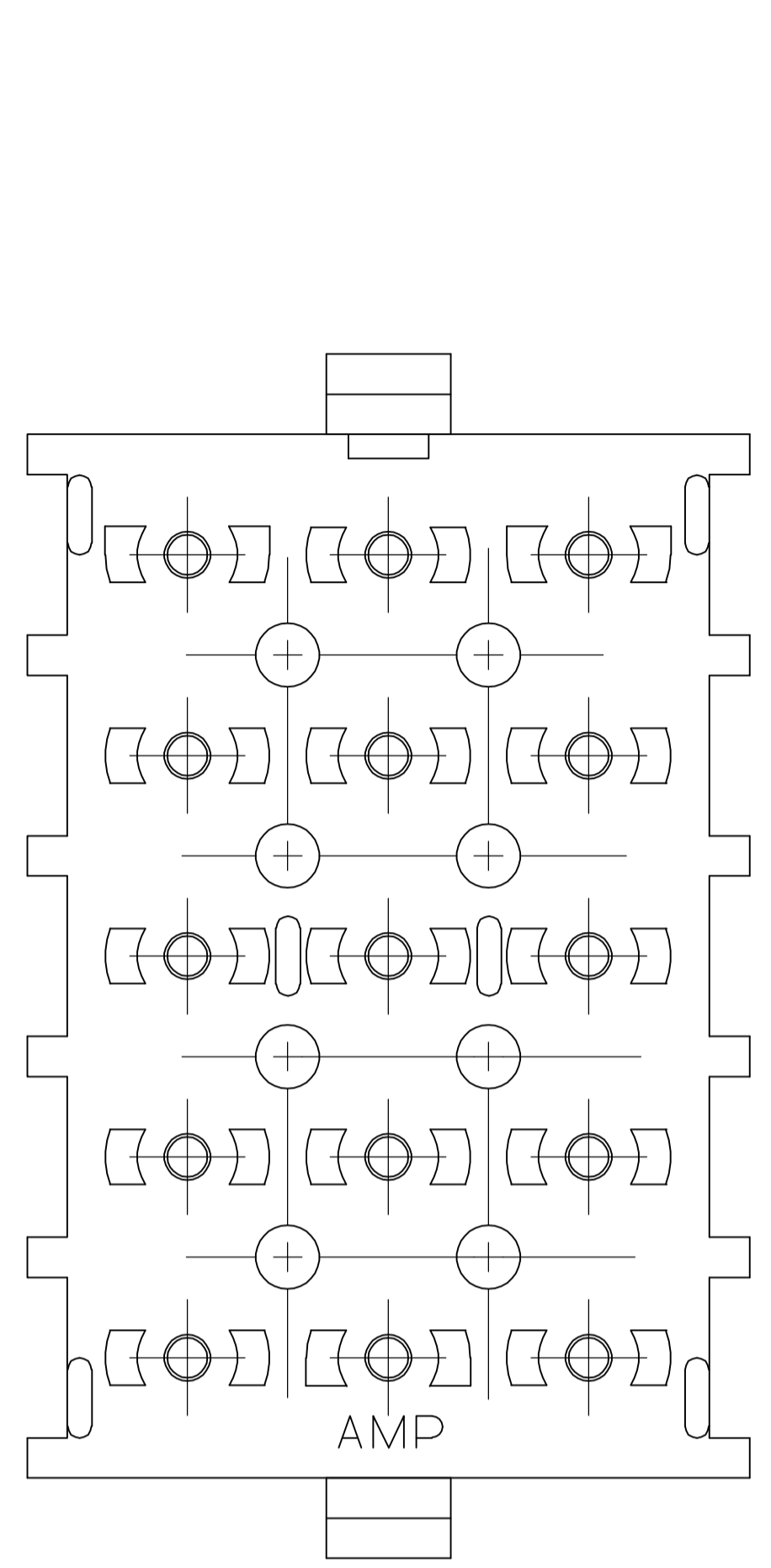
JAMECO[®]
ELECTRONICS

www.Jameco.com ♦ 1-800-831-4242

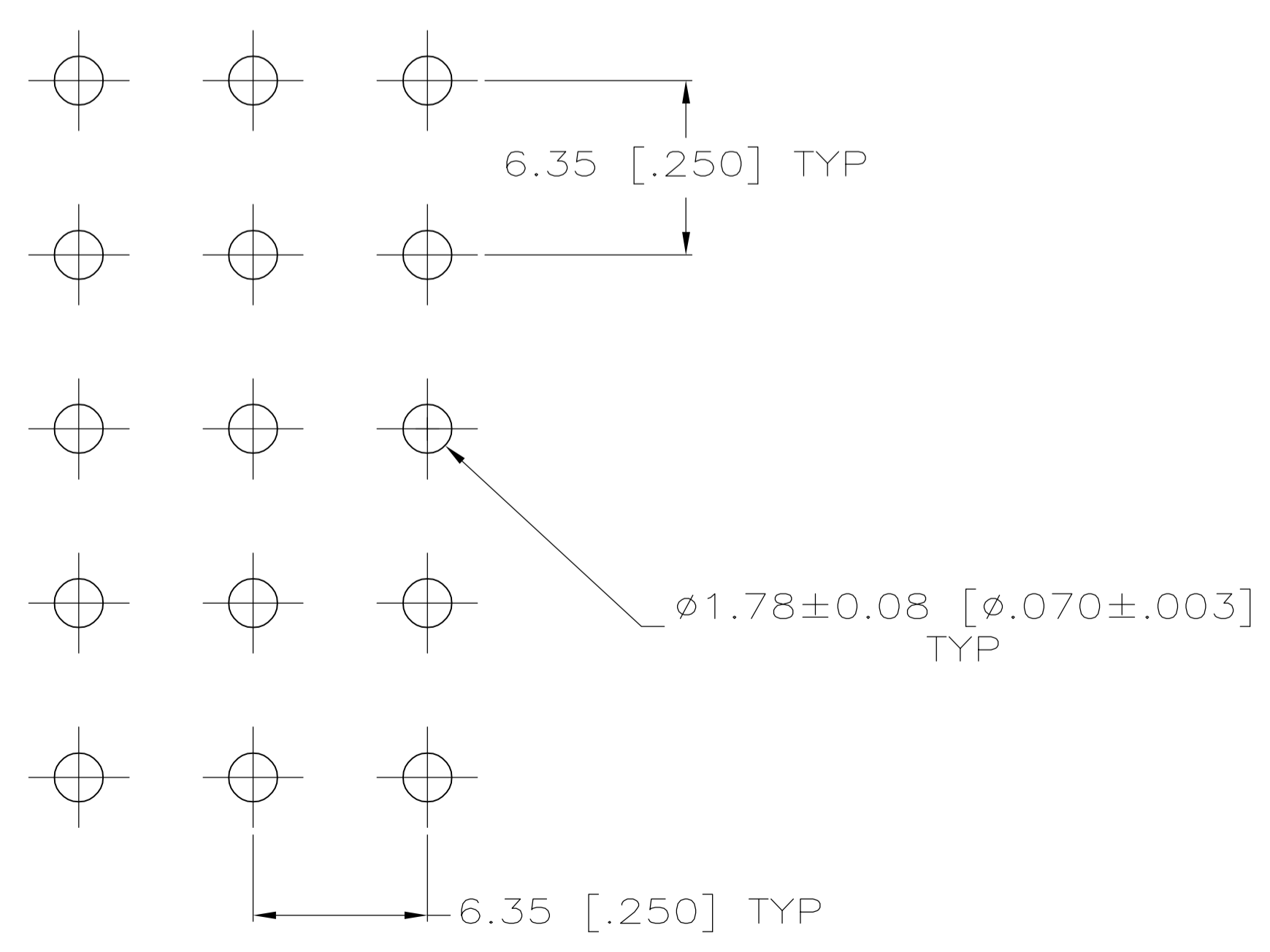
The content and copyrights of the attached
material are the property of its owner.

Jameco Part Number 846444

LOC		DIST		REVISIONS			
CM	00	REV	DATE	BY	CHK	APP'D	REV
		R	11OCT05	KW	SR		
DESCRIPTION				REVISED PER DG38-1100-04			



1. PARTS MUST COMPLY WITH AMP SOLDERABILITY SPEC 109-11-3.
2. CONTACT IS STAMPED FROM PRE-PLATED STOCK WHICH IS PLATED OVERALL WITH 0.00127 [.000050] NICKEL, THEN STRIPED WITH 0.00076 [.000030] GOLD IN CONTACT AREA INDICATED AND TIN-LEAD ON SOLDER TAIL END.
3. CIRCUIT IDENTIFICATION CHARACTERS ARE ADJACENT TO THE INDICATED CAVITIES, BUT LOCATION AND ORIENTATION MAY DIFFER FROM PRINT.
4. CONTACT IS PLATED OVERALL WITH 0.00127 [.000050] NICKEL, THEN 0.00076 [.000030] GOLD OVER CONTACT LENGTH INDICATED AND MATTE TIN ON SOLDER TAIL END.



RECOMMENDED LAYOUT FOR 1.58 [.062] THICK PC BOARD

PH BRZ GOLD $\Delta 4$	NYLON, NATURAL	350765-5
PH BRZ TIN	NYLON, NATURAL	350765-4
PH BRZ GOLD $\Delta 2$	NYLON, NATURAL	350765-3
CONTACT	HOUSING	PART NO

THIS DRAWING IS A CONTROLLED DOCUMENT.

DIMENSIONS: mm (INCHES)	TOLERANCES UNLESS OTHERWISE SPECIFIED:	OWN: K. WHITAKER 11OCT2005	APVD: S. RIDGILL 11OCT2005	NAME: S. RIDGILL 11OCT2005	TYCO Electronics	Tyco Electronics Corporation Harrisburg, PA 17105-3608
ϕ	0 PLC ±	0.13 [.005]	APPLICATION SPEC	SIZE: A1	CAGE CODE: 00779	DRAWING NO: 350765
1 PLC ±	1.65 [.065]	RESTRICTED TO	WEIGHT	SCALE: 5:1	SHEET: 1 OF 1	REV: R
2 PLC ±	1.27 [.050]	CUSTOMER DRAWING				
3 PLC ±	0.51 [.020]					
4 PLC ±	0.25 [.010]					
ANGLES						
FINISH						

