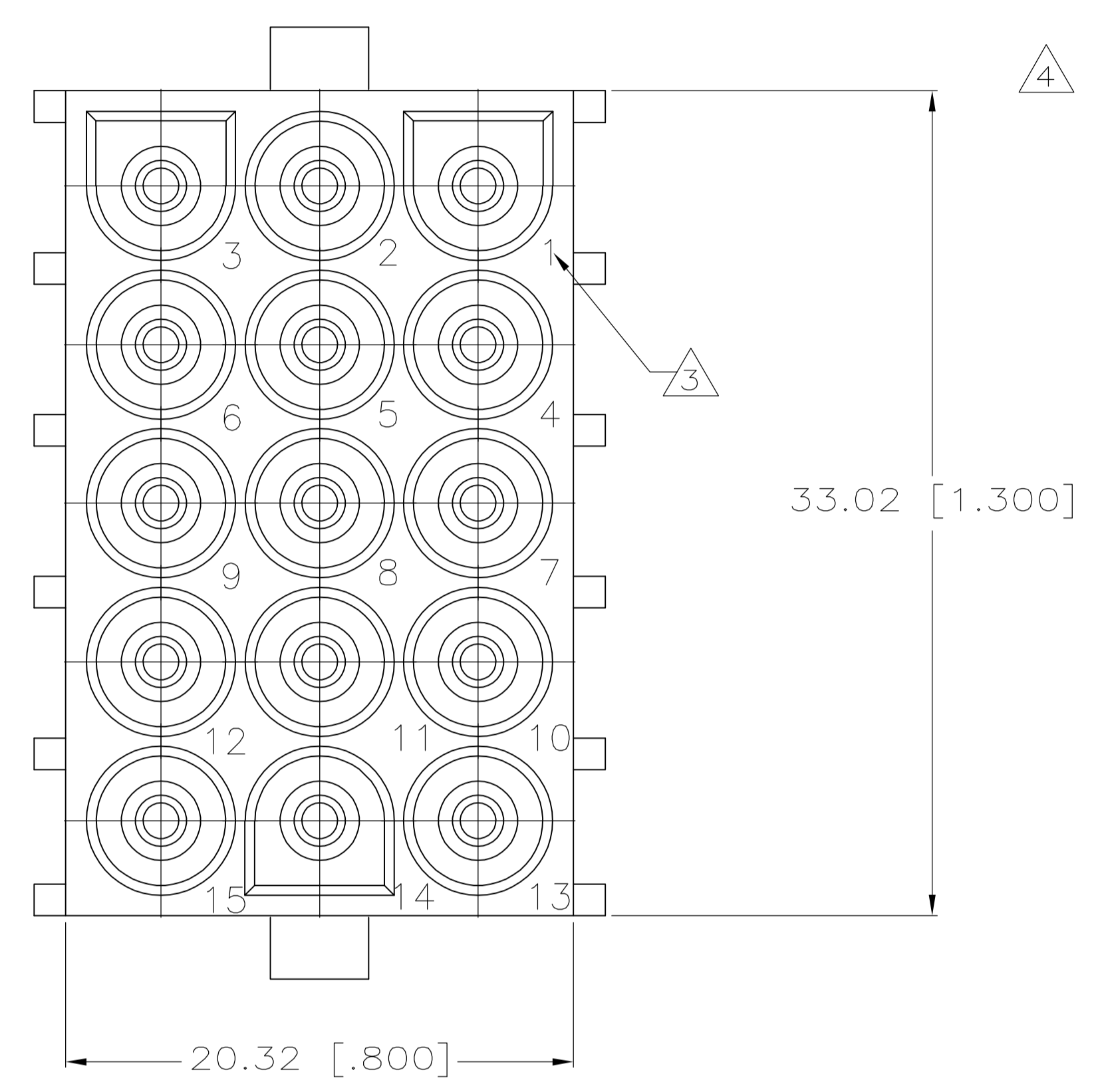
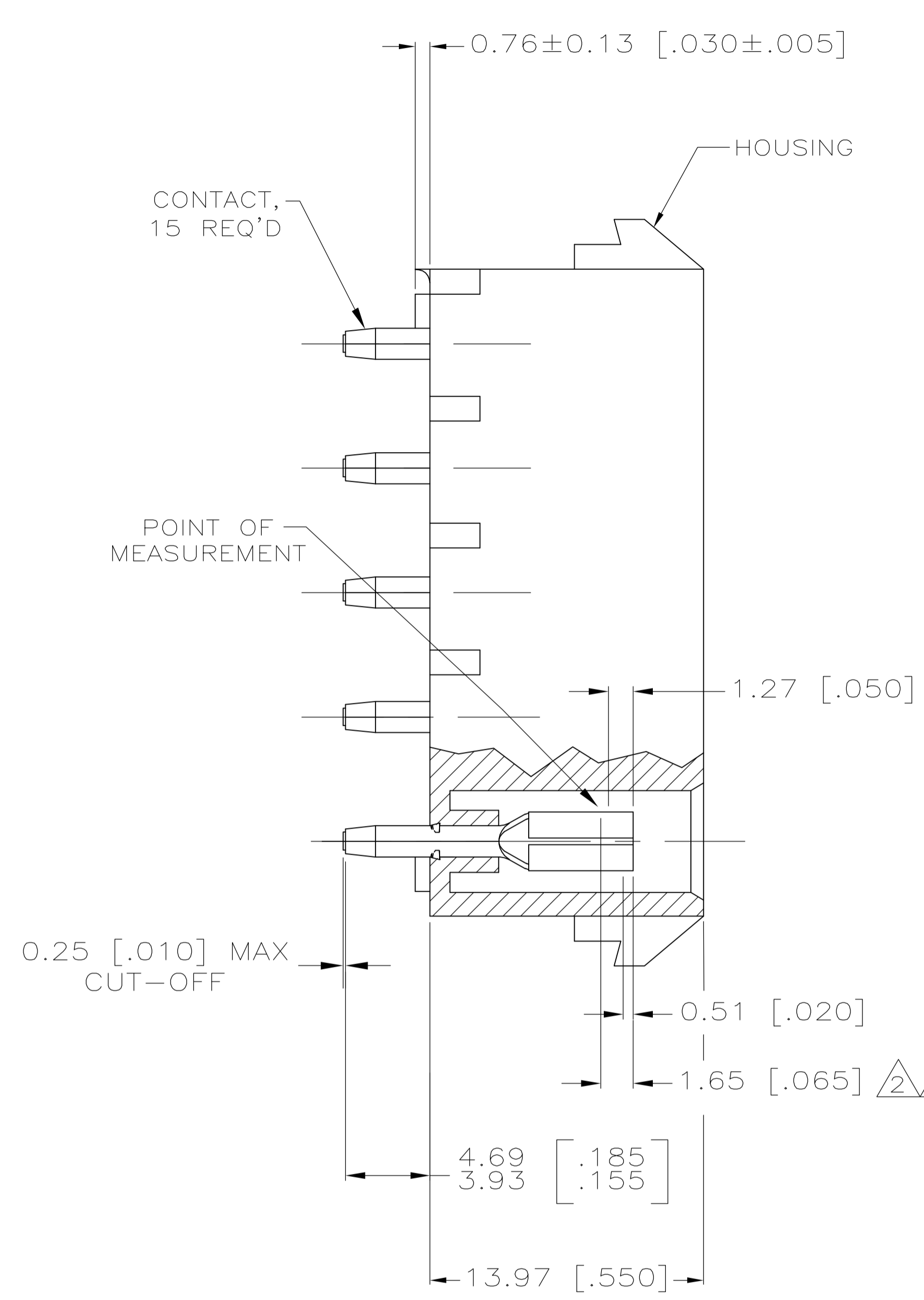
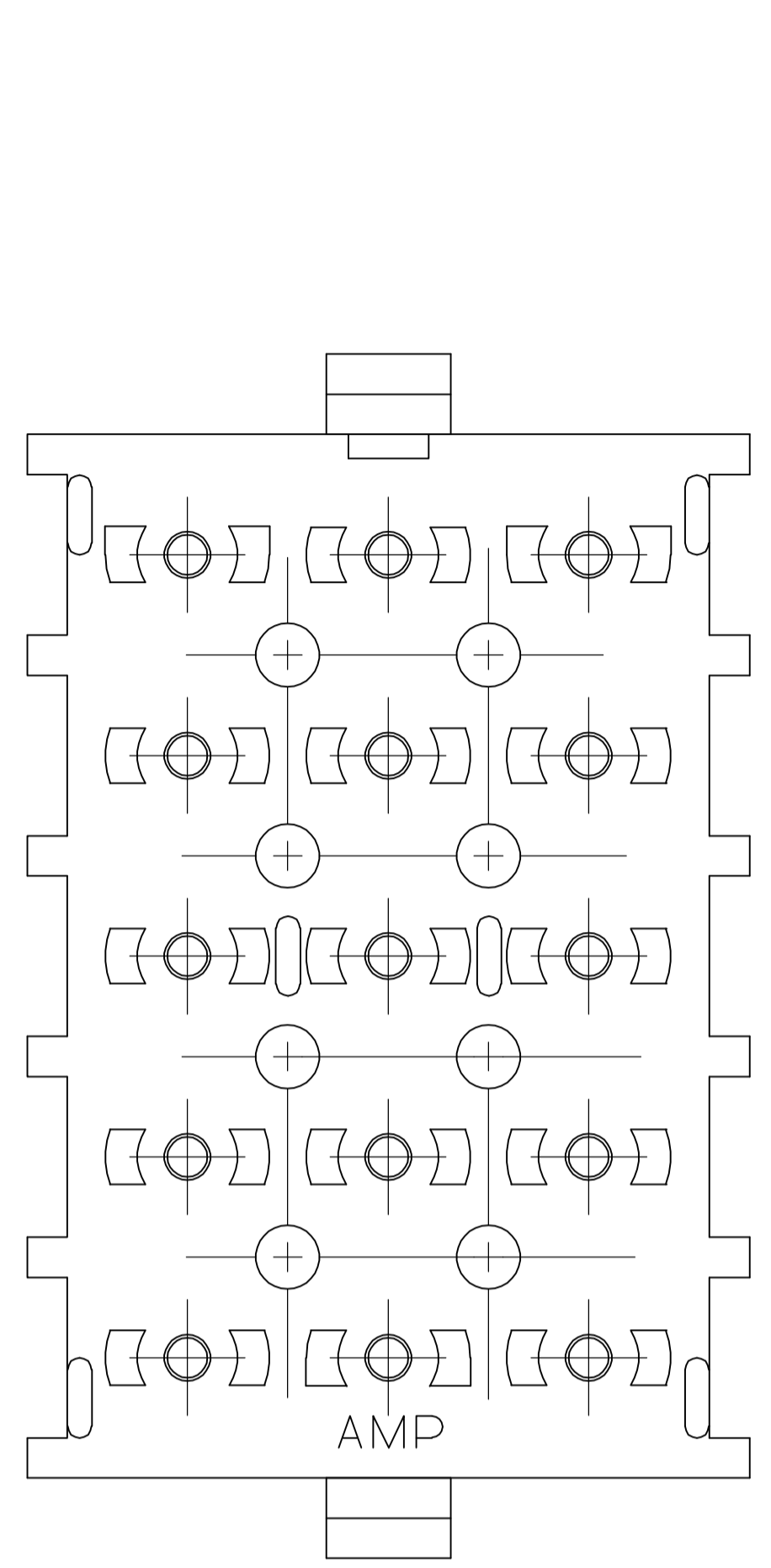
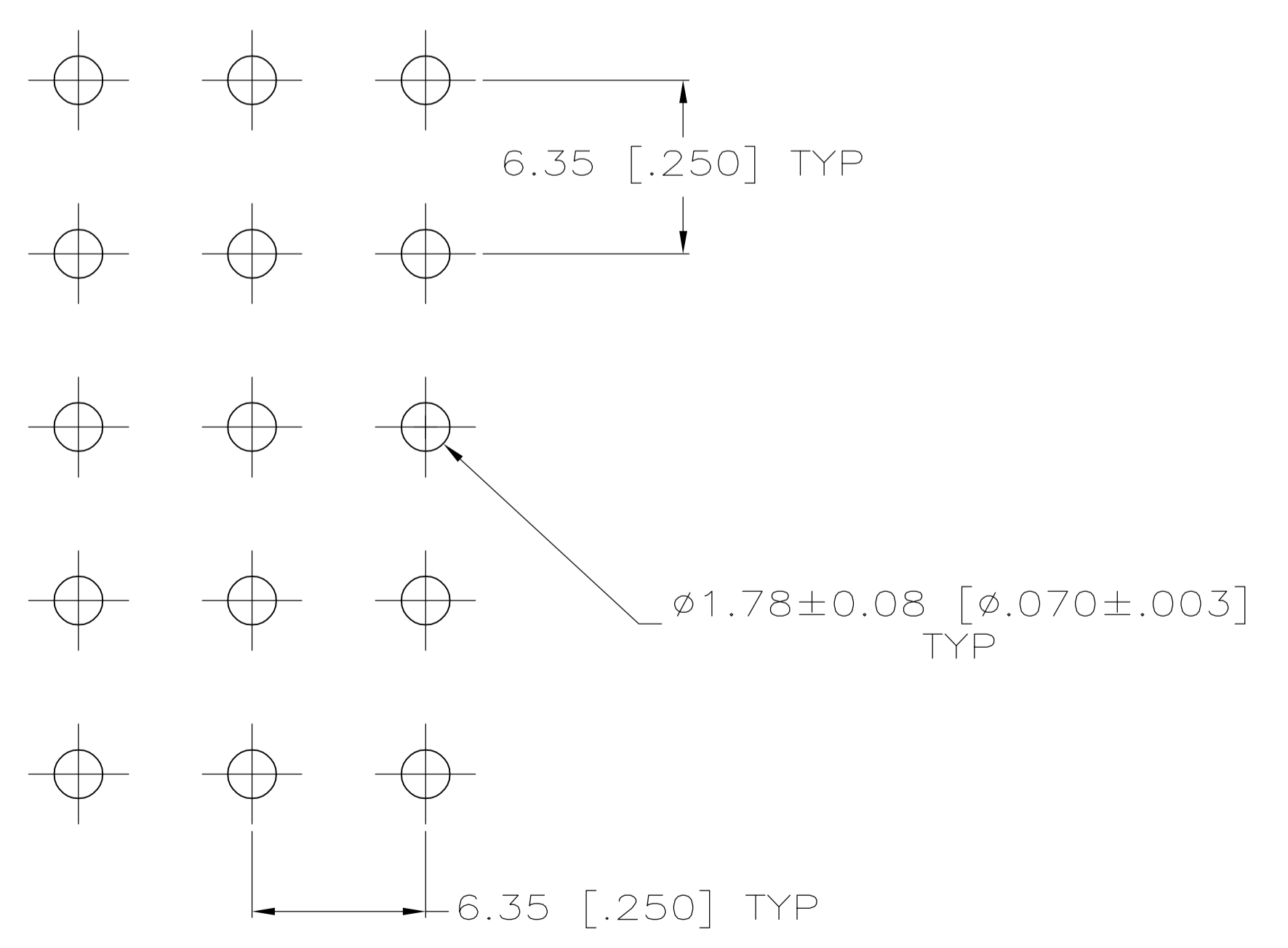


LOC		DIST		REVISIONS			
CM	00	REV	DATE	BY	CHK	APP'D	REV
		R	11OCT05	KW	SR		
DESCRIPTION				REVISED PER DG38-1100-04			



- PARTS MUST COMPLY WITH AMP SOLDERABILITY SPEC 109-11-3.
- CONTACT IS STAMPED FROM PRE-PLATED STOCK WHICH IS PLATED OVERALL WITH 0.00127 [.000050] NICKEL, THEN STRIPED WITH 0.00076 [.000030] GOLD IN CONTACT AREA INDICATED AND TIN-LEAD ON SOLDER TAIL END.
- CIRCUIT IDENTIFICATION CHARACTERS ARE ADJACENT TO THE INDICATED CAVITIES, BUT LOCATION AND ORIENTATION MAY DIFFER FROM PRINT.
- CONTACT IS PLATED OVERALL WITH 0.00127 [.000050] NICKEL, THEN 0.00076 [.000030] GOLD OVER CONTACT LENGTH INDICATED AND MATTE TIN ON SOLDER TAIL END.



RECOMMENDED LAYOUT FOR 1.58 [.062] THICK PC BOARD

PH BRZ GOLD $\Delta 4$	NYLON, NATURAL	350765-5
PH BRZ TIN	NYLON, NATURAL	350765-4
PH BRZ GOLD $\Delta 2$	NYLON, NATURAL	350765-3
CONTACT	HOUSING	PART NO

THIS DRAWING IS A CONTROLLED DOCUMENT.		OWN: K. WHITAKER 11OCT2005	Tyco Electronics Corporation
DIMENSIONS: mm (INCHES)		CHK: S. RIDGILL 11OCT2005	Harrisburg, PA 17105-3608
TOLERANCES UNLESS OTHERWISE SPECIFIED:		APVD: S. RIDGILL 11OCT2005	NAME: 15 CIRCUIT UNIVERSAL MATE-N-LOK (TM) P.C. BOARD SOCKET HEADER ASSEMBLY
0 PLC ±	1 PLC ±	PRODUCT SPEC	SIZE: A1
2 PLC ±	3 PLC ± 0.13 [.005]	APPLICATION SPEC	CAGE CODE: 00779
4 PLC ±	ANGLES ±	WEIGHT	DRAWING NO: 350765
MATERIAL: SEE TABLE		FINISH: SEE TABLE	RESTRICTED TO: CUSTOMER DRAWING
SCALE: 5:1		SHEET: 1 OF 1	REV: R

