

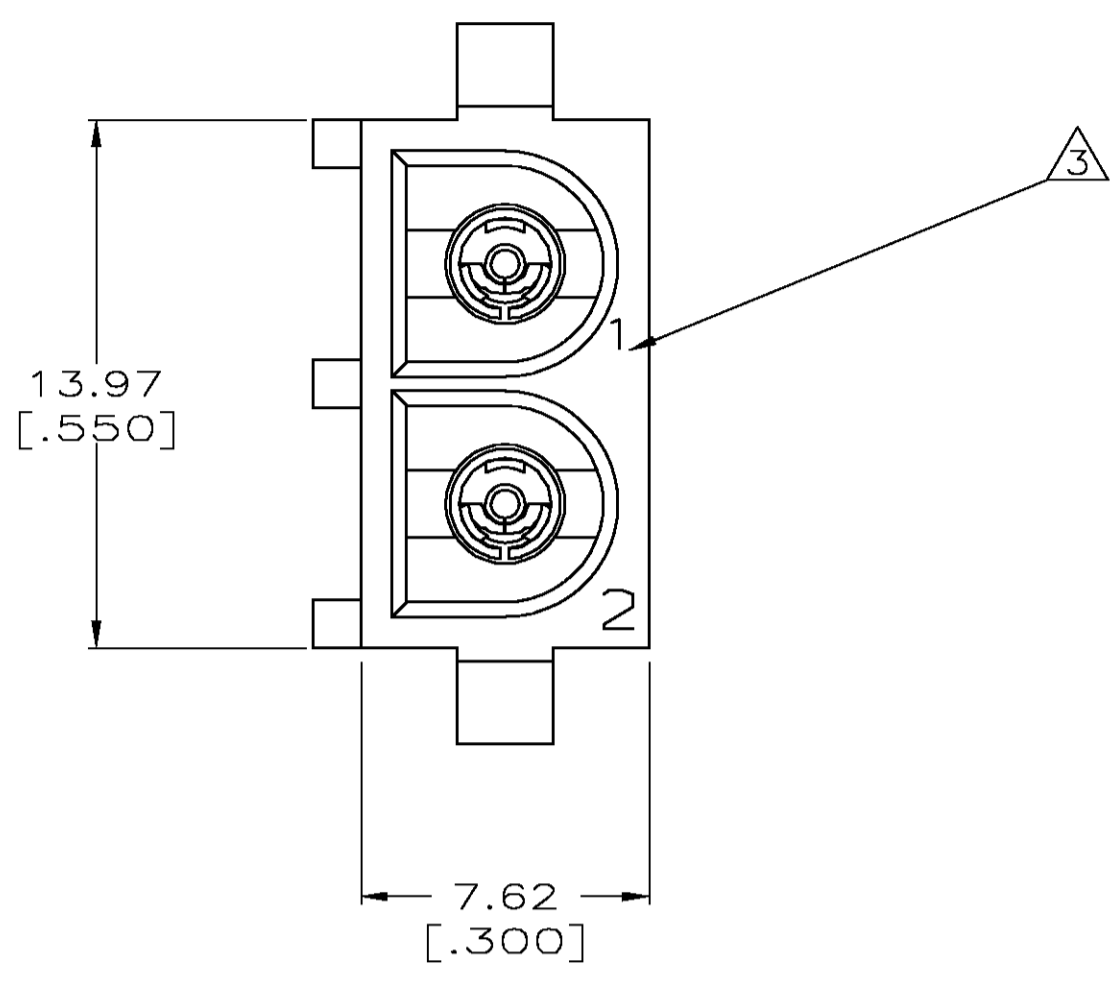
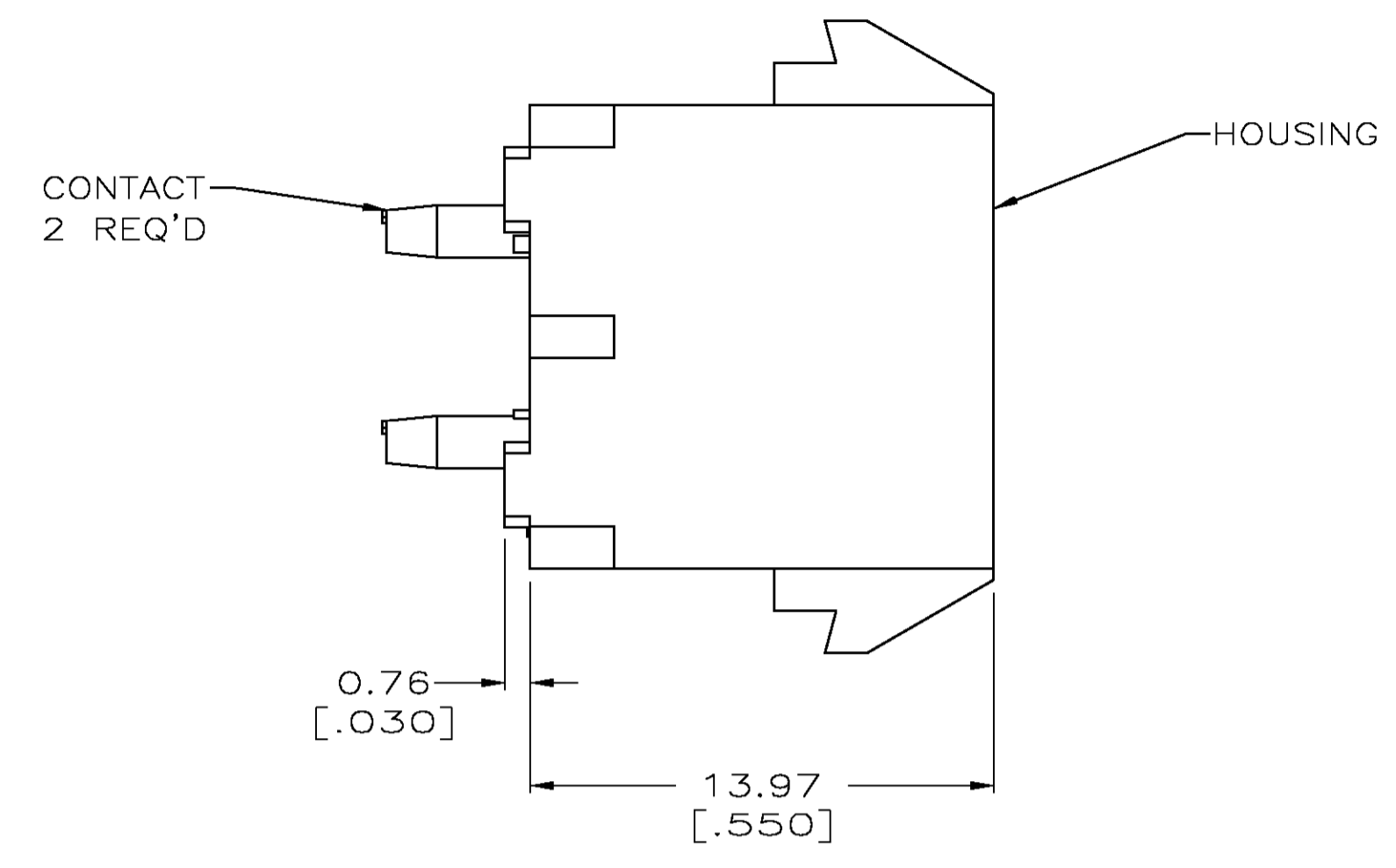
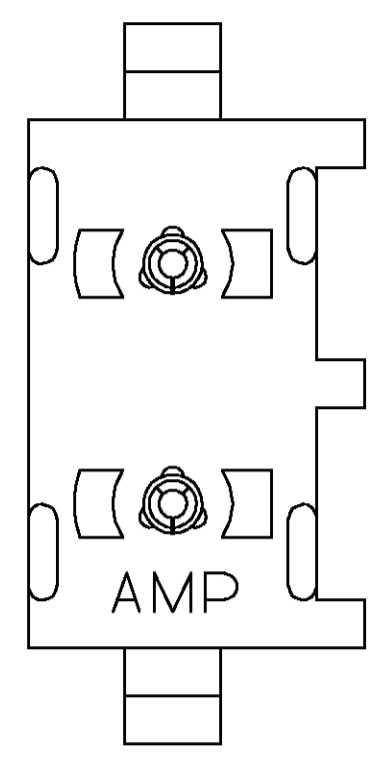
Distributed by:

**JAMECO**<sup>®</sup>  
ELECTRONICS

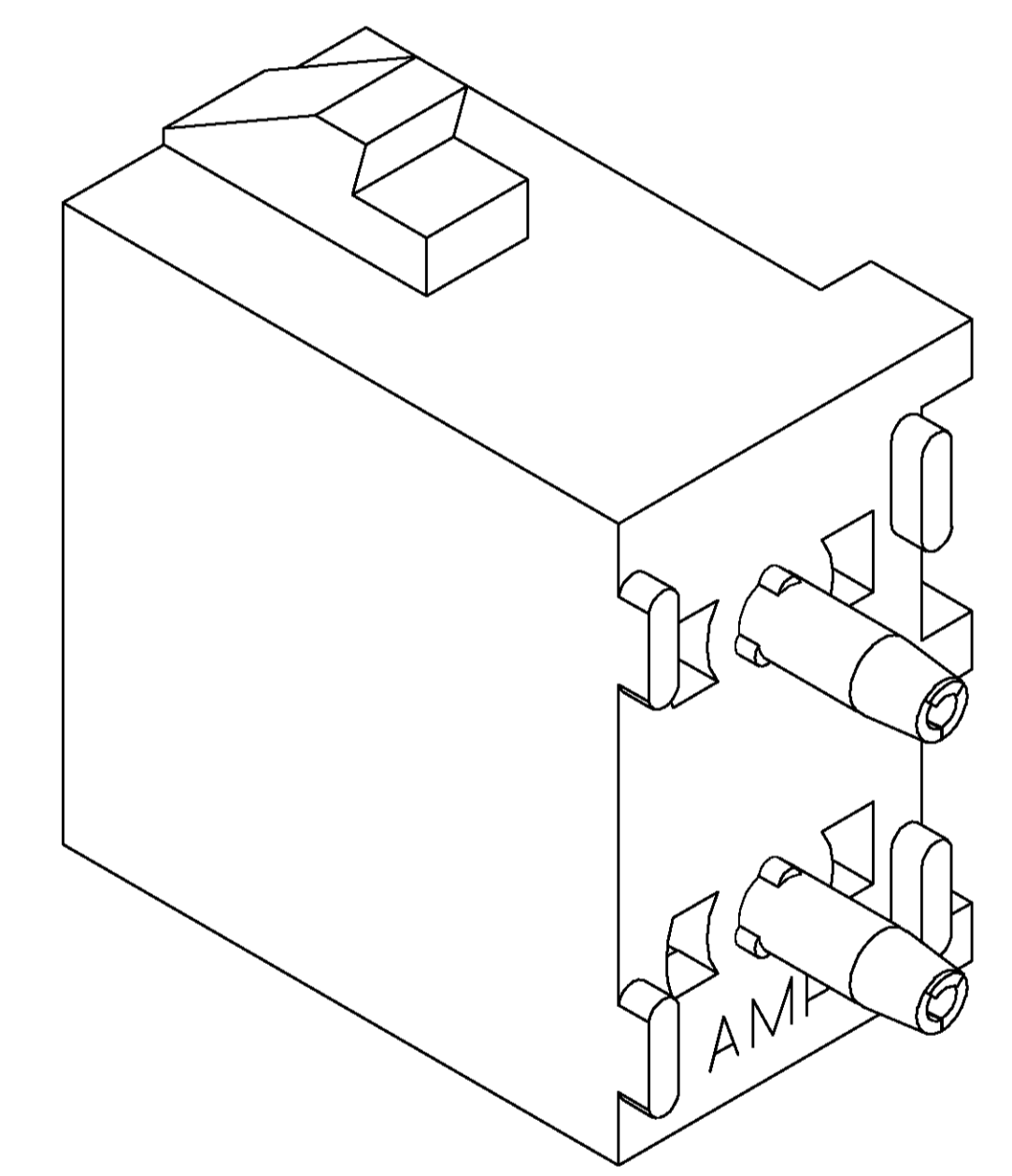
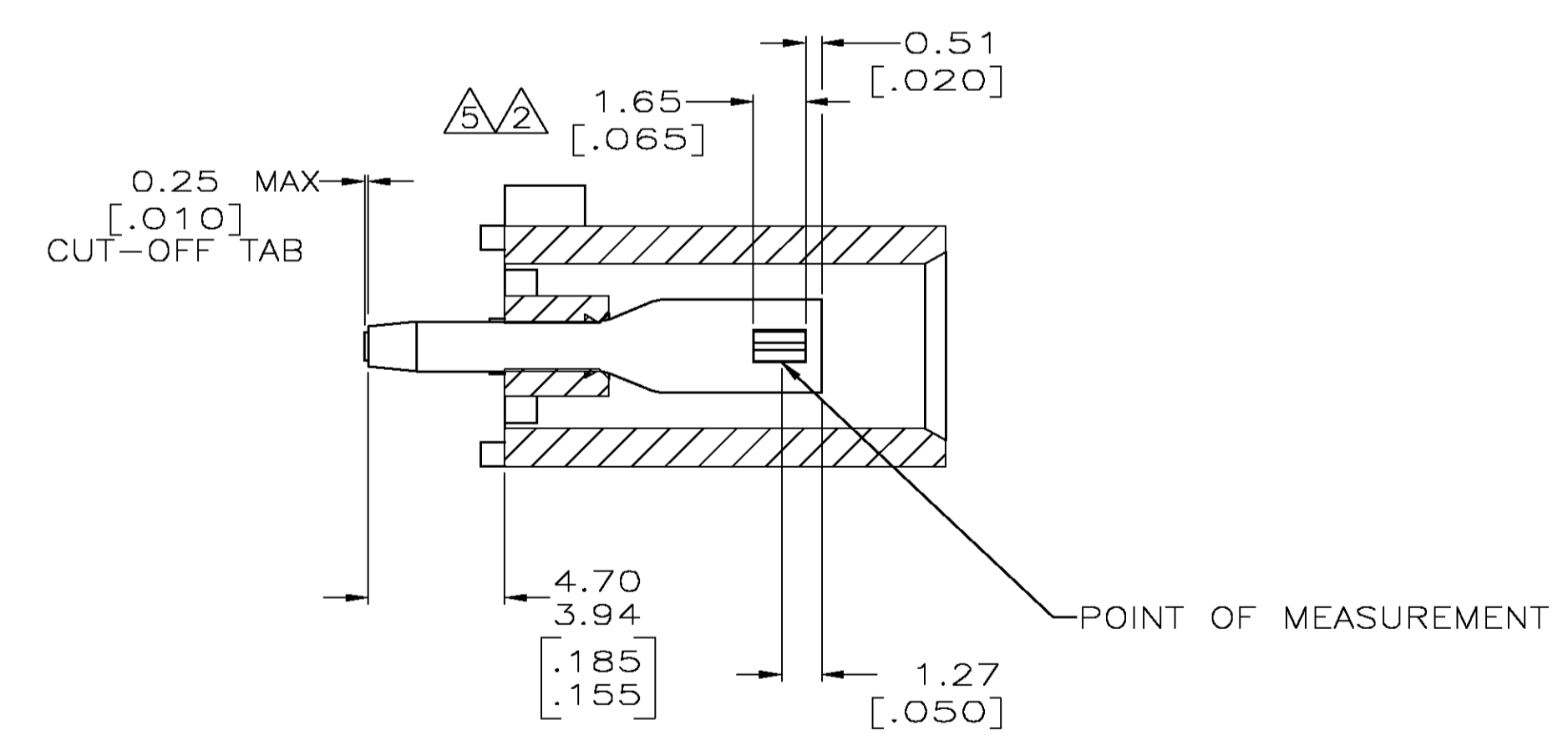
**www.Jameco.com ♦ 1-800-831-4242**

The content and copyrights of the attached  
material are the property of its owner.

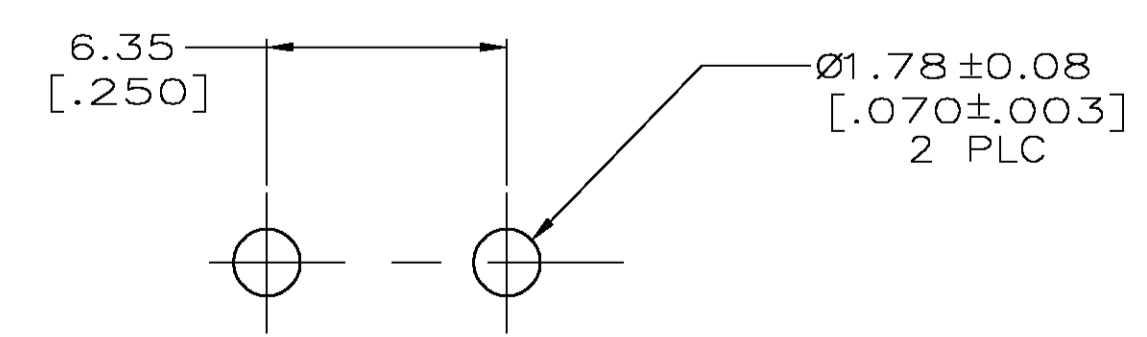
Jameco Part Number 846735



- PARTS COMPLY TO AMP SOLDERABILITY SPECIFICATION 109-11-3.
- CONTACT IS PLATED OVERALL WITH 0.00127 [.000050] NICKEL, THEN 0.00076 [.000030] GOLD OVER CONTACT LENGTH INDICATED AND MATTE TIN LEAD ON SOLDER TAIL END.
- CIRCUIT IDENTIFICATION CHARACTERS ARE ADJACENT TO THE INDICATED CAVITIES, BUT LOCATION AND ORIENTATION MAY DIFFER FROM PRINT.
- DIMENSIONS IN BRACKETS ARE IN INCHES.
- CONTACT IS PLATED OVERALL WITH 0.00127 [.000050] NICKEL, THEN 0.00076 [.000030] GOLD OVER CONTACT LENGTH INDICATED AND MATTE TIN ON SOLDER TAIL END.



3-DIMENSIONAL MODEL NTS



RECOMMENDED MOUNTING HOLE PATTERN FOR 1.57 [.062] THICK P.C. BOARD

PHOSPHOR BRONZE, GOLD	NYLON,UL94V-0,WHITE	350824-4
PHOSPHOR BRONZE, GOLD	NYLON,UL94V-0,WHITE	350824-2
PHOSPHOR BRONZE, PRE-TIN	NYLON,UL94V-0,WHITE	350824-1
CONTACT MATERIAL AND FINISH	HOUSING MATERIAL	PART NUMBER



THIS DRAWING IS A CONTROLLED DOCUMENT.

DIMENSIONS: mm [INCHES]	TOLERANCES UNLESS OTHERWISE SPECIFIED:	DIN 9 LUIS 8-19-98	8-19-98	tyco Electronics	Tyco Electronics Corporation Greensboro, NC 27409
0 PLC ± -	1 PLC ± -	CHK R SWING	8-19-98	APVD M TRULL	NAME
2 PLC ± 0.13 [.005]	3 PLC ± -	APPLICATION SPEC		PRODUCT SPEC	SOCKET HEADER ASSEMBLY, 2 CIRCUIT UNIVERSAL MATE-N-LOK™
4 PLC ± -	ANGLES ± ± 0.30°	FINISH		WEIGHT	RESTRICTED TO
MATERIAL SEE TABLE	FINISH SEE TABLE	SIZE	CAGE CODE	DRAWING NO	
		A1	00779	350824	
		CUSTOMER DRAWING	SCALE	SHEET	REV
			5:1	1 OF 1	N