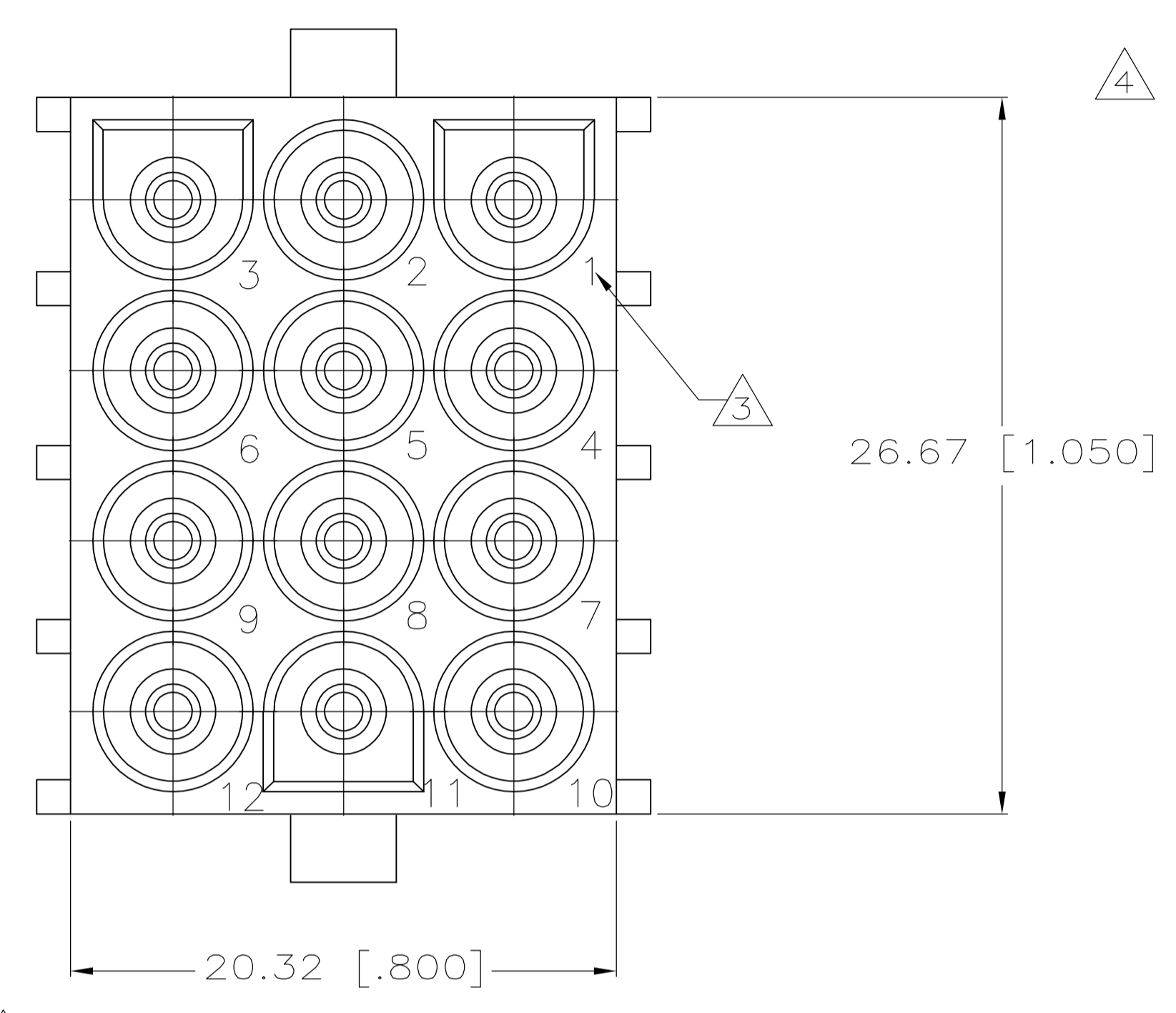
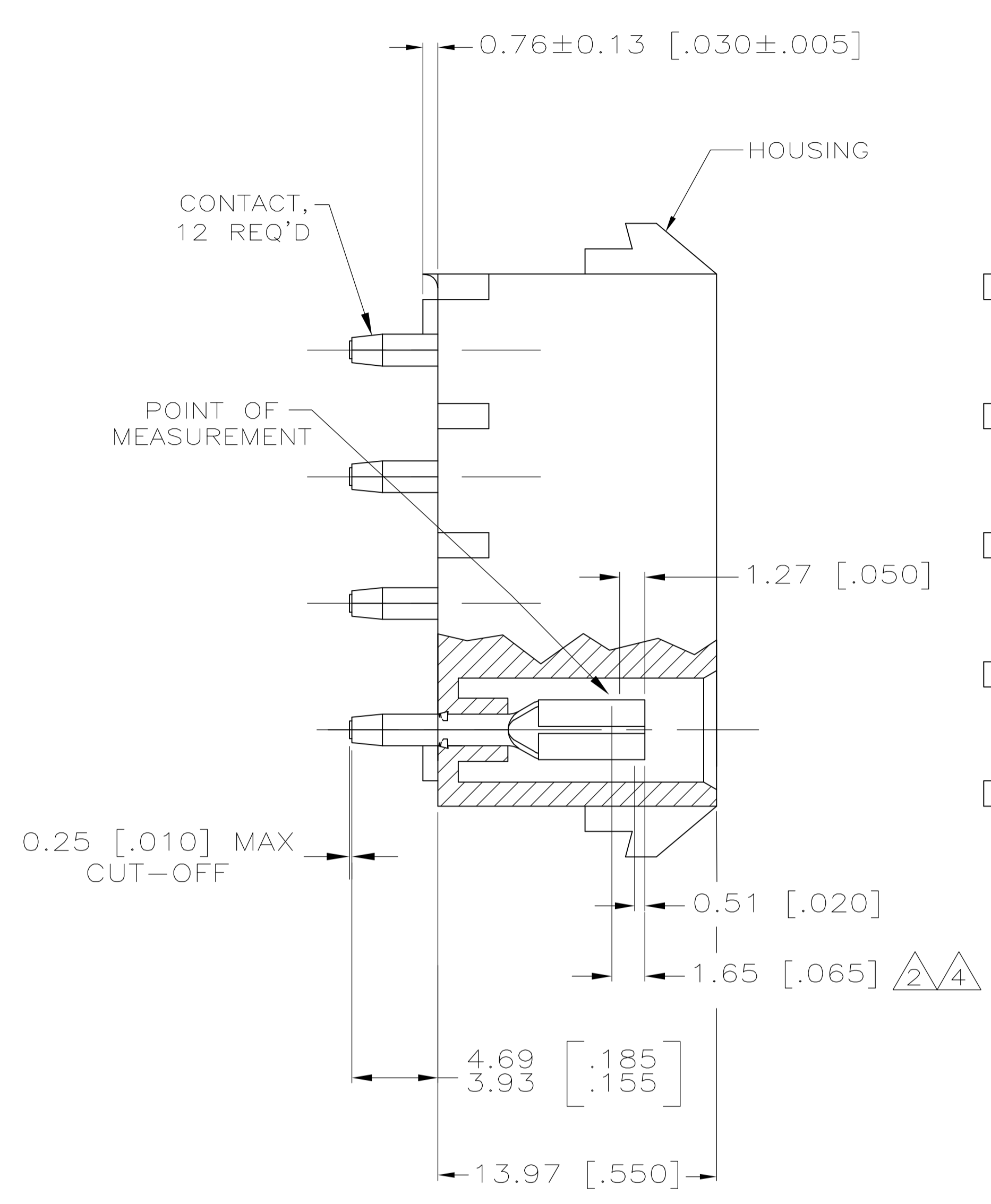
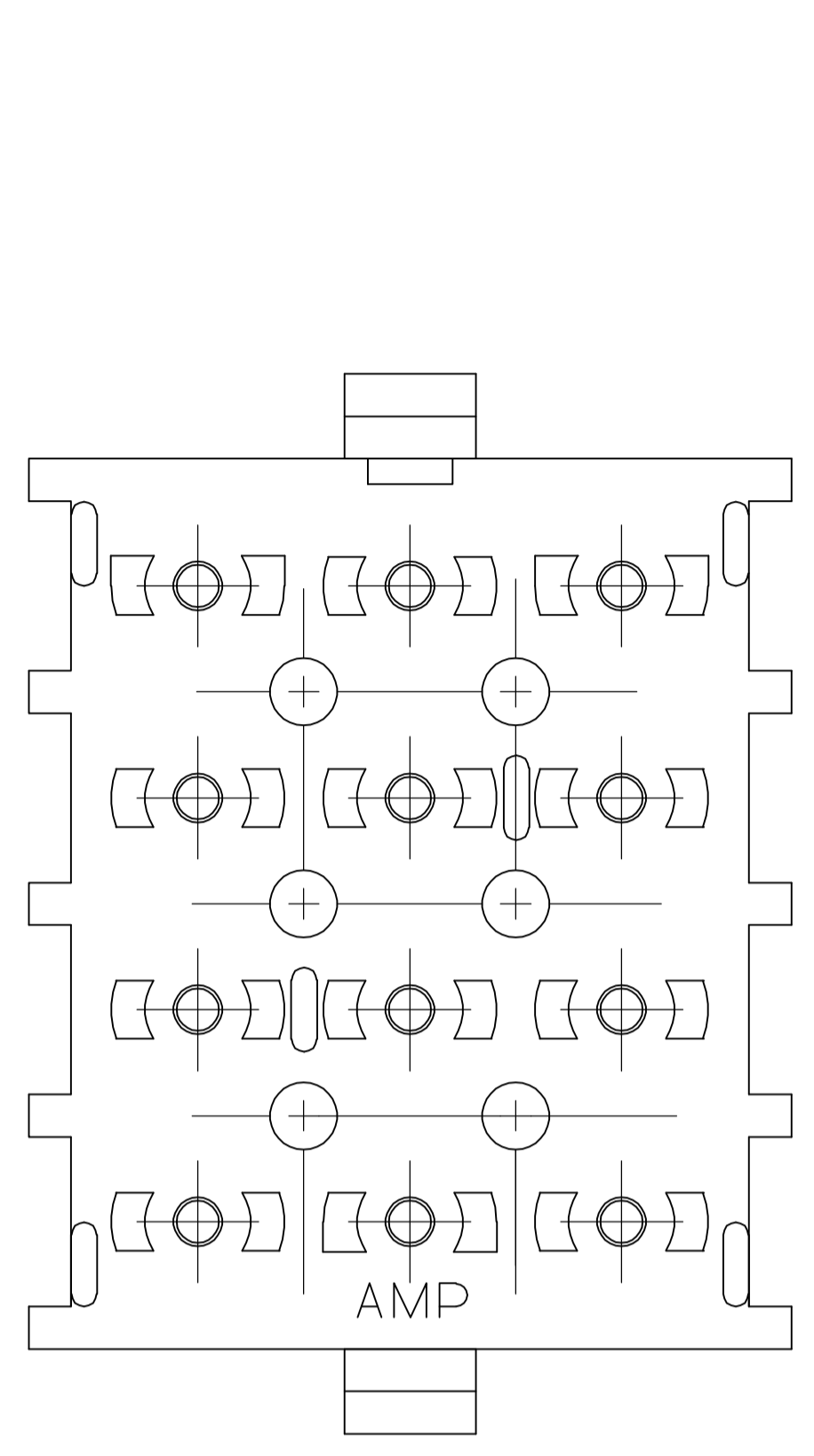
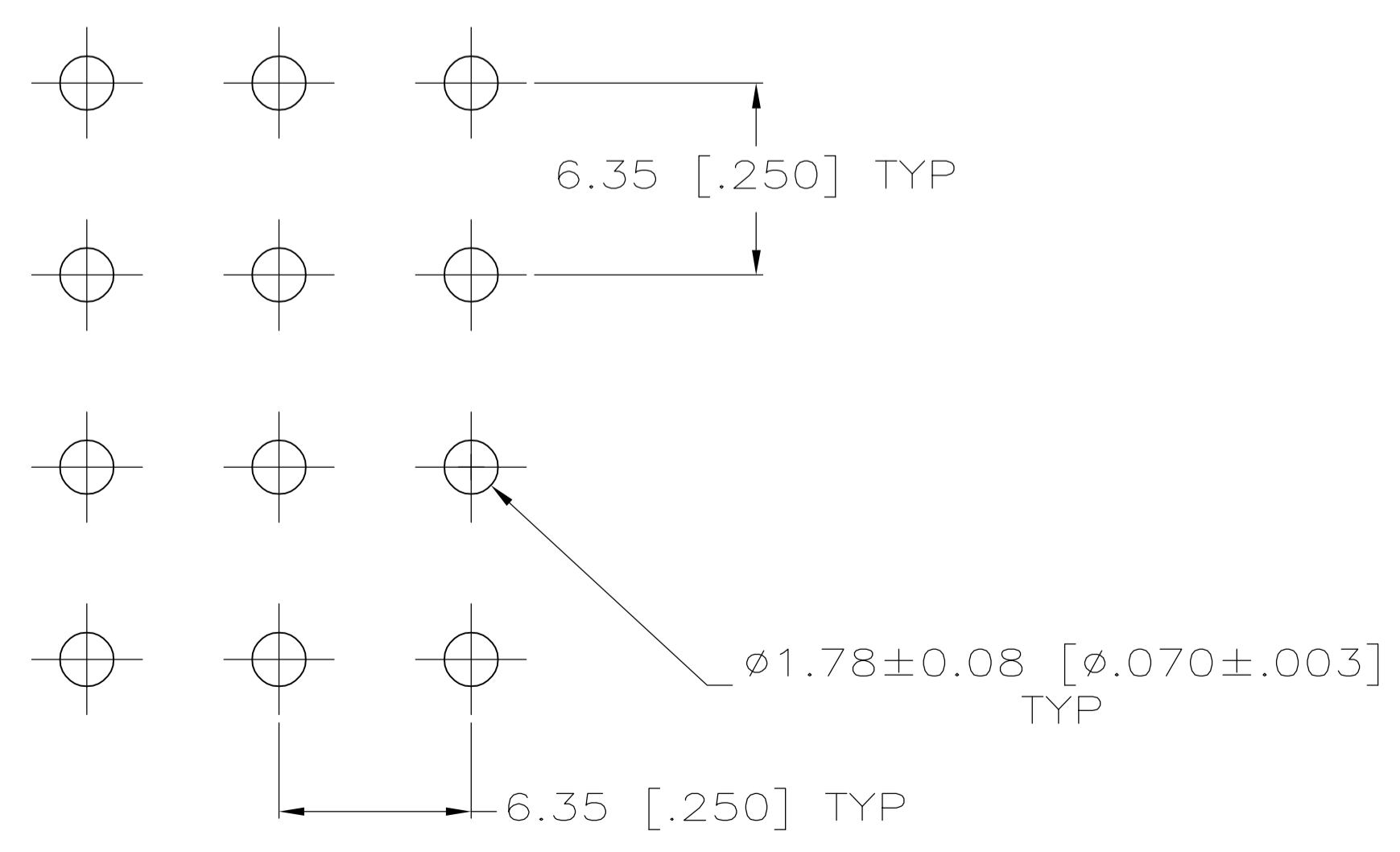


| LOC |     | DIST                     |         | REVISIONS |      |  |  |
|-----|-----|--------------------------|---------|-----------|------|--|--|
| P   | LTR | DESCRIPTION              | DATE    | OWN       | APVD |  |  |
| M   |     | REVISED PER DG38-1100-04 | 12OCT05 | KW        | SR   |  |  |



- PARTS MUST COMPLY WITH AMP SOLDERABILITY SPEC 109-11-3.
- CONTACT IS STAMPED FROM PRE-PLATED STOCK WHICH IS PLATED OVERALL WITH 0.00127 [.000050] NICKEL, THEN STRIPED WITH 0.00076 [.000030] GOLD IN CONTACT AREA INDICATED AND TIN-LEAD ON SOLDER TAIL END.
- CIRCUIT IDENTIFICATION CHARACTERS ARE ADJACENT TO THE INDICATED CAVITIES, BUT LOCATION AND ORIENTATION MAY DIFFER FROM PRINT.
- CONTACT IS PLATED OVERALL WITH 0.00127 [.000050] NICKEL, THEN 0.00076 [.000030] GOLD OVER CONTACT LENGTH INDICATED AND MATTE TIN ON SOLDER TAIL END.



RECOMMENDED LAYOUT FOR 1.58 [.062] THICK PC BOARD

|                        |                |          |
|------------------------|----------------|----------|
| PH BRZ GOLD $\Delta 4$ | NYLON,UL 94V-0 | 350829-4 |
| PH BRZ GOLD $\Delta 2$ | NYLON,UL 94V-0 | 350829-2 |
| PH BRZ TIN             | NYLON,UL 94V-0 | 350829-1 |
| CONTACT                | HOUSING        | PART NO  |

THIS DRAWING IS A CONTROLLED DOCUMENT.

|                            |  |   |                                     |                  |                     |   |
|----------------------------|--|---|-------------------------------------|------------------|---------------------|---|
| DIMENSIONS:<br>mm (INCHES) | TOLERANCES UNLESS OTHERWISE SPECIFIED: | OWN: K. WHITAKER<br>CHK: S. RIDGILL<br>APVD: S. RIDGILL<br>PRODUCT SPEC | 11OCT2005<br>11OCT2005<br>11OCT2005 | NAME: S. RIDGILL | TYCO<br>Electronics | Tyco Electronics Corporation<br>Harrisburg, PA 17105-3608 |
| MATERIAL: SEE TABLE        | FINISH: SEE TABLE                      | APPLICATION SPEC  | SIZE: A1                            | CAGE CODE: 00779 | DRAWING NO: 350829  | RESTRICTED TO: CUSTOMER DRAWING                           |

SCALE: 5:1 SHEET: 1 OF 1 REV: M

