

Distributed by:

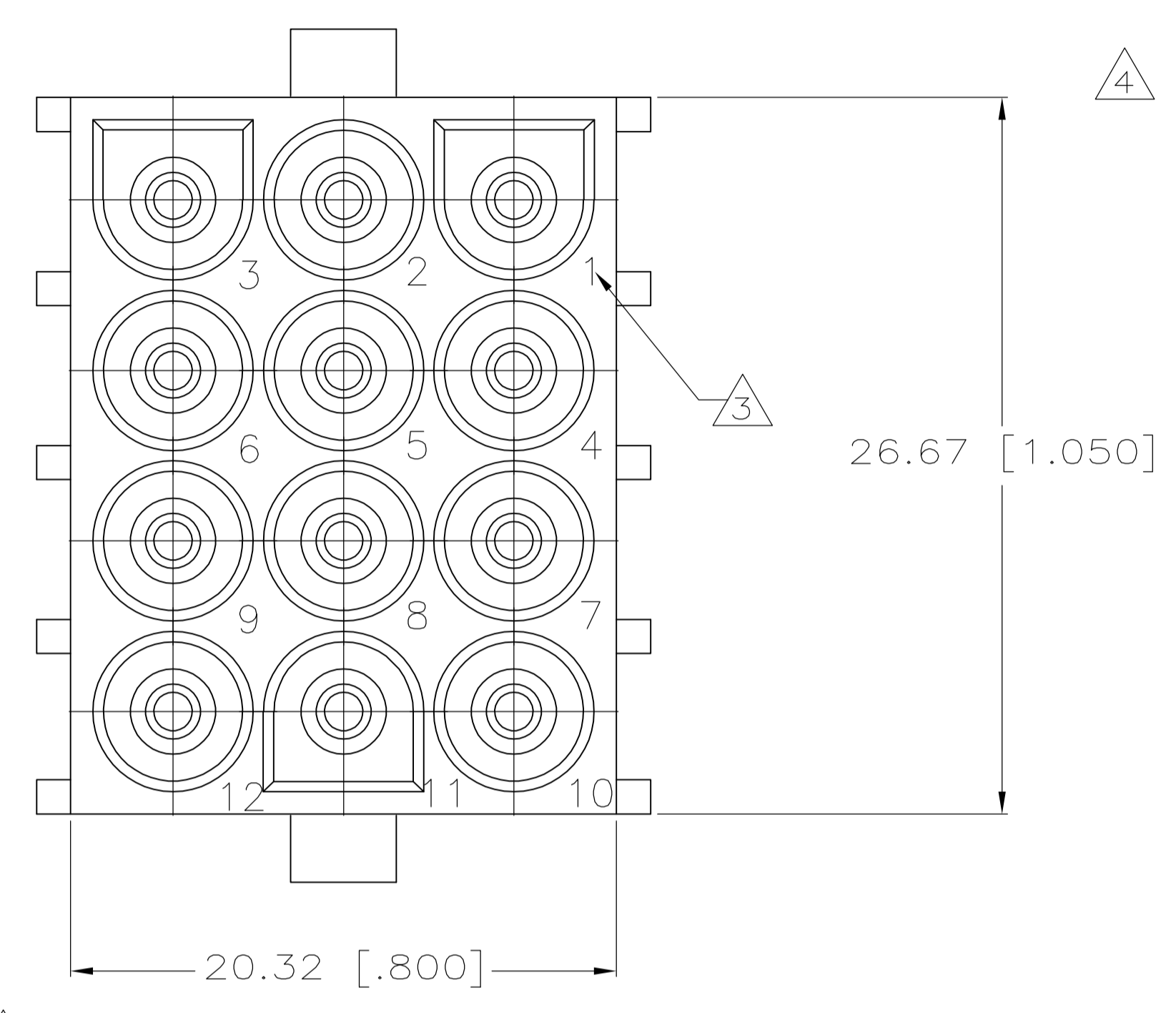
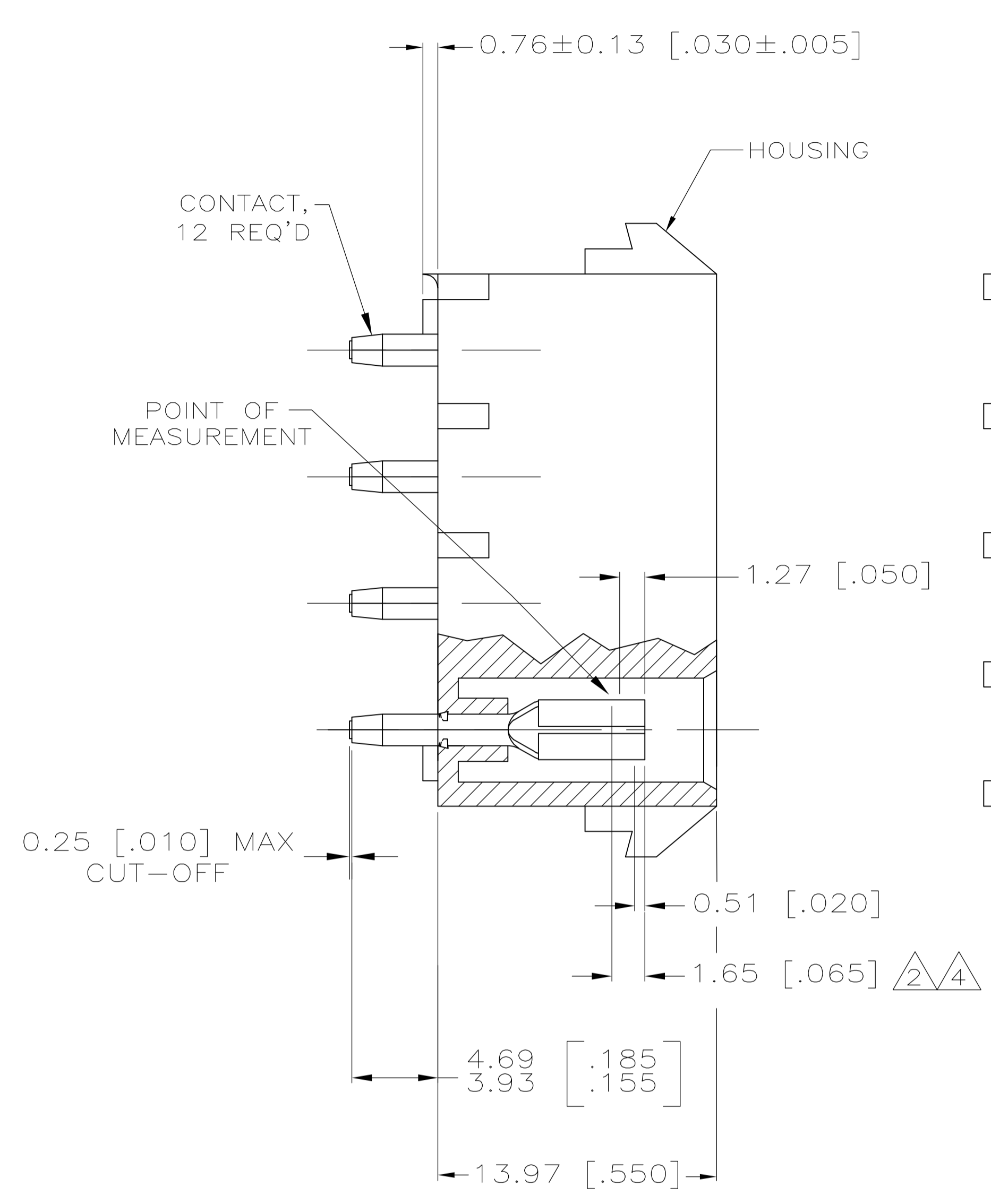
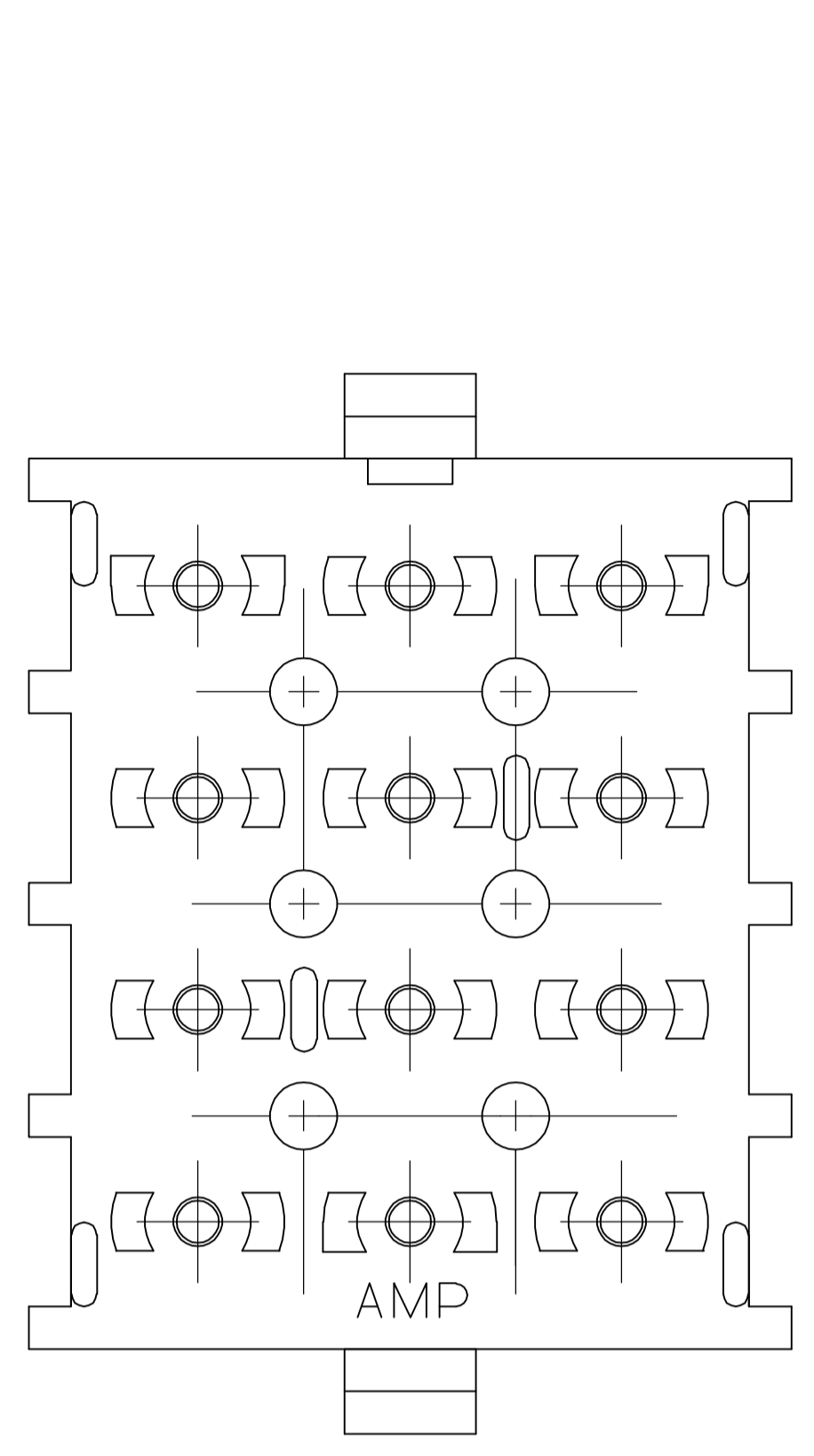
JAMECO[®]
ELECTRONICS

www.Jameco.com ♦ 1-800-831-4242

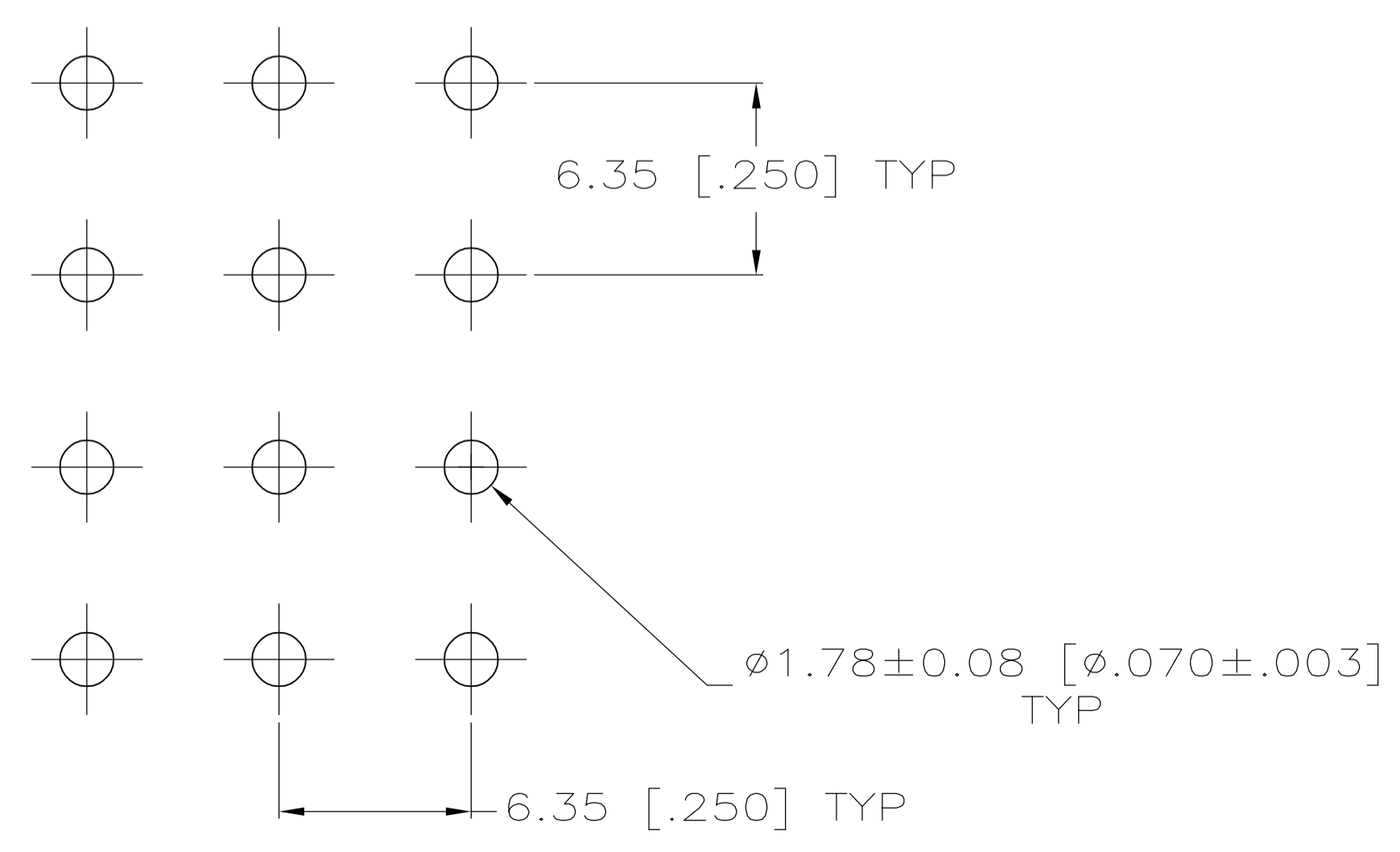
The content and copyrights of the attached
material are the property of its owner.

Jameco Part Number 752069

LOC		DIST		REVISIONS			
P	LTR	DESCRIPTION	DATE	OWN	APVD		
M		REVISED PER DG38-1100-04	12OCT05	KW	SR		



1. PARTS MUST COMPLY WITH AMP SOLDERABILITY SPEC 109-11-3.
2. CONTACT IS STAMPED FROM PRE-PLATED STOCK WHICH IS PLATED OVERALL WITH 0.00127 [.000050] NICKEL, THEN STRIPED WITH 0.00076 [.000030] GOLD IN CONTACT AREA INDICATED AND TIN-LEAD ON SOLDER TAIL END.
3. CIRCUIT IDENTIFICATION CHARACTERS ARE ADJACENT TO THE INDICATED CAVITIES, BUT LOCATION AND ORIENTATION MAY DIFFER FROM PRINT.
4. CONTACT IS PLATED OVERALL WITH 0.00127 [.000050] NICKEL, THEN 0.00076 [.000030] GOLD OVER CONTACT LENGTH INDICATED AND MATTE TIN ON SOLDER TAIL END.



RECOMMENDED LAYOUT FOR 1.58 [.062] THICK PC BOARD

PH BRZ GOLD $\Delta 4$	NYLON,UL 94V-0	350829-4
PH BRZ GOLD $\Delta 2$	NYLON,UL 94V-0	350829-2
PH BRZ TIN	NYLON,UL 94V-0	350829-1
CONTACT	HOUSING	PART NO

DIMENSIONS:		TOLERANCES UNLESS OTHERWISE SPECIFIED:		APVD		NAME	
mm (INCHES)							
0 PLC	±			S. RIDGILL	11OCT2005	12 CIRCUIT UNIVERSAL MATE-N-LOK (TM) P.C. BOARD SOCKET HEADER ASSEMBLY	
1 PLC	±					SIZE	CAGE CODE DRAWING NO
2 PLC	±					A1	00779 ©=350829
3 PLC	± 0.13 [.005]					RESTRICTED TO	
4 PLC	±					CUSTOMER DRAWING	
ANGLES	±					SCALE	5:1
FINISH						SHEET	1 OF 1
MATERIAL	SEE TABLE					REV	M

METRIC