

Distributed by:

JAMECO[®]
ELECTRONICS

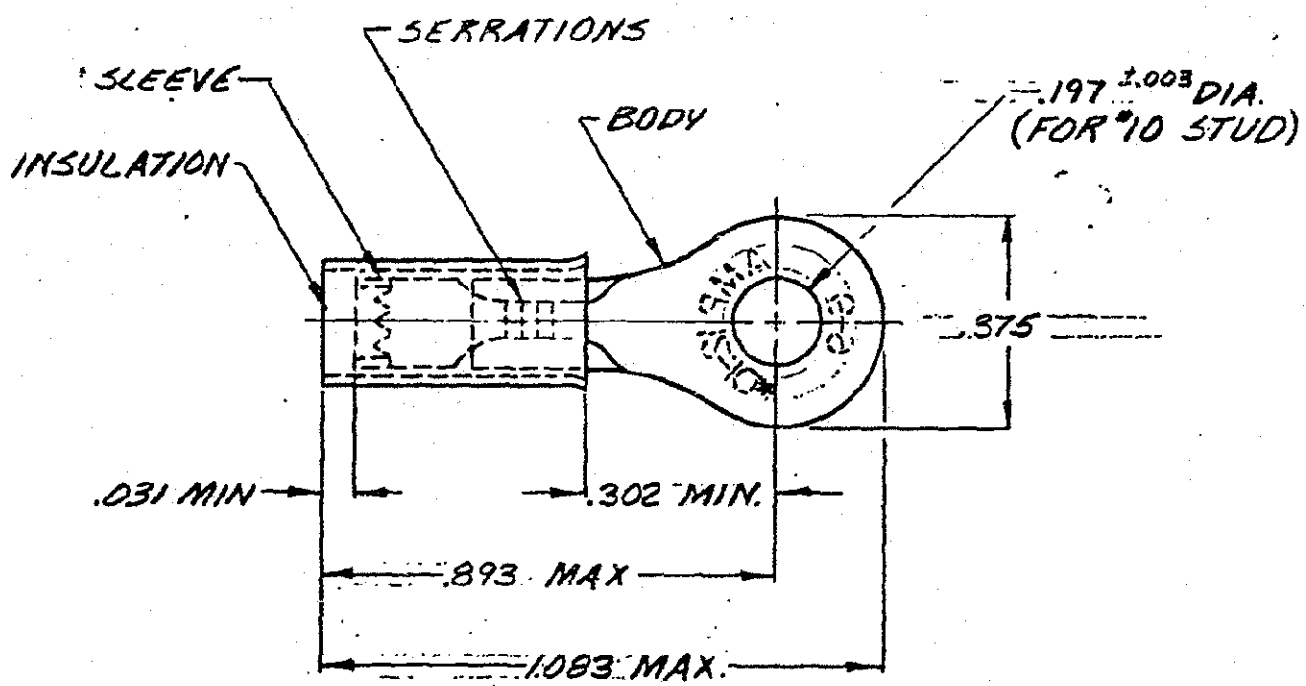
www.Jameco.com ♦ 1-800-831-4242

The content and copyrights of the attached
material are the property of its owner.

Jameco Part Number 302800

THIS DRAWING IS UNPUBLISHED. RELEASED FOR PUBLICATION 19
 © COPYRIGHT 19 BY AMP INCORPORATED, HARRISBURG, PA. ALL INTERNATIONAL RIGHTS RESERVED. AMP PRODUCTS MAY BE COVERED BY U.S. AND FOREIGN PATENTS AND/OR PATENTS PENDING.

REVISIONS						
P	F	ZONE	LTR	DESCRIPTION	DATE	APPROVED
✓			E	REV & RED'WN PB4-0078	PMF 6/11/85	PMF
✓			F	REVISED PER G-1476	RFB 7-24-85	PMF
✓			G	0352--242--3 PER G-2340	7/14/87	SS 2.7m
✓			H	REV PER G-4732	JT 7/26/87	2.5m
✓			J	0352--4 PER G-3702	JT 6/14/87	AG
			K	REV/G-019392	LO 9/5/92	M.B.
			L	REV/0720-0036-93	TO 3-4-93	M.E.
✓			M	0352--5 PER 0720-0334-93	LO 2-3-94	ML
			N	REV/0720-0410-94	LO 9-14-94	ML
			P	REV/0720-0605-95	ME 5-3-95	NB
			R	REV/0720-0197-97	ME 8-20-97	SB
			S	REV PER 063A-0274-01	27/JUL/01	VE/TM



WIRE INSULATION DIA 150-.250
 TONGUE MATERIAL THK .039 ±.002

TIN PLATE (ASTM B 545)

▲ SUPERSEDED BY 8-35109-5

▲	YELLOW	25	LOOSE PC, BLS	9	-4
▲	YELLOW	5	LOOSE PC, BLS	8	-4
	YELLOW	25	LOOSE PC, BAG	8	-5
	YELLOW	100	LOOSE PC, BOX	8	-1
	OBSOLETE YELLOW	500	ON TAPE, LARGE BOX	2	-4
	OBSOLETE BLUE		LOOSE PIECE	3	-3
	OBSOLETE RED		LOOSE PIECE	2	-2
	YELLOW	2500	ON TAPE, REEL	2	-1
	YELLOW	1	LOOSE PIECE		35109

INS. COLOR	QTY.	DESCRIPTION	PART NO
UNLESS OTHERWISE SPECIFIED DIMENSIONS ARE IN INCHES. TOLERANCES ON: DECIMALS ±.008 ANGLES ±		CONTRACT NO	
MATERIAL: INSULATION: NYLON, COLOR: SEE TABLE BODY & SLEEVE: COPPER (ASTM B15)		DR P. Fortney 6-19-84	
FINISH: BODY: SEE NOTE		CHK P. Muthalaband 4/2/85	
OTHER APPD:		APD P. Muthalaband 4/2/85	
AMP		AMP INCORPORATED Harrisburg, Pa.	
NAME: WIRE TERMINAL, PIDG, RING TONGUE, WIRE SIZE 12-10		DRAWING NO: 35109	
SIZE: B		FSCM NO: 00779	
SCALE: NTS		SHEET: ---	