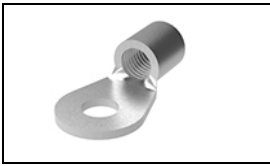


## 35185 Product Details

[Share](#) [Print](#) [Email](#)



**35185**

TE Internal Number: 35185

Active

[View 3D PDF](#)

### Ring and Spade Tongue Terminals

Always EU RoHS/ELV Compliant (Statement of Compliance)

#### Product Highlights:

- Terminal Shape = Ring Tongue
- Receptacle Style = Straight
- Body Style = SOLISTRAND
- Barrel Type = Closed Barrel
- Wire/Cable Type = Regular Wire

[View all Features](#)

### Quick Links

- ▶ [Pricing & Availability](#)
- ▶ [Search for Tooling](#)
- ▶ [Product Feature Selector](#)
- ▶ [Contact Us About This Product](#)

[Add to My Part List](#) [Request Sample](#) [Find Similar Products](#) [Buy Product](#)

### Documentation & Additional Information

#### Product Drawings:

- [TERMINAL, RING TONGUE,SOLISTRAND\(TM\)](#) (PDF, English)

#### Catalog Pages/Data Sheets:

- None Available

#### Product Specifications:

- None Available

#### Application Specifications:

- None Available

#### Instruction Sheets:

- None Available

#### CAD Files: [\(CAD Format & Compression Information\)](#)

- [2D Drawing](#) (DXF, Version S)
- [3D Model](#) (IGES, Version S)
- [3D Model](#) (STEP, Version S)

[List all Documents](#)

#### Related Products:

- [Tooling](#)

### Product Features (Please use the Product Drawing for all design activity)

#### Product Type Features:

- [Receptacle Style](#) = Straight
- [Barrel Type](#) = Closed Barrel
- [Wire/Cable Type](#) = Regular Wire
- [Insulation](#) = No
- [Insulation Support](#) = Non-Insulation Support
- [Stud Size](#) = 1/2 [M12]
- [Shape](#) = RING-050
- [Heavy Duty](#) = No
- [Finish](#) = Tin

#### Termination Features:

- [Wire/Cable Size \(CMA\)](#) = 52,600 – 83,700

#### Dimensions:

- [Stud Diameter \(mm \[in\]\)](#) = 13.08 [0.515]
- [Barrel I.D. Min. \(mm \[in\]\)](#) = 9.39 [0.370]

#### Body Features:

- [Body Style](#) = SOLISTRAND
- [Wire Range \(mm \[AWG\]\)](#) = 34.00-35.00<sup>2</sup> [2]
- [Material](#) = Copper
- [Stock Thickness \(mm \[in\]\)](#) = 1.78 [0.070]

#### Contact Features:

- [Terminal Shape](#) = Ring Tongue

#### Industry Standards:

- [Government/Industry Qualification](#) = No
- [RoHS/ELV Compliance](#) = RoHS compliant, ELV compliant
- [Lead Free Solder Processes](#) = Not relevant for lead free process
- [RoHS/ELV Compliance History](#) = Always was RoHS compliant

#### Packaging Features:

- [Packaging Method](#) = Loose Piece

#### Other:

- [Brand](#) = AMP

### Corporate Information

[About TE](#)  
[Investors](#)  
[News Room](#)

### Quick Links

[Distributor Inventory](#)  
[Product Cross Reference](#)  
[Documents & Drawings](#)

### Customer Support

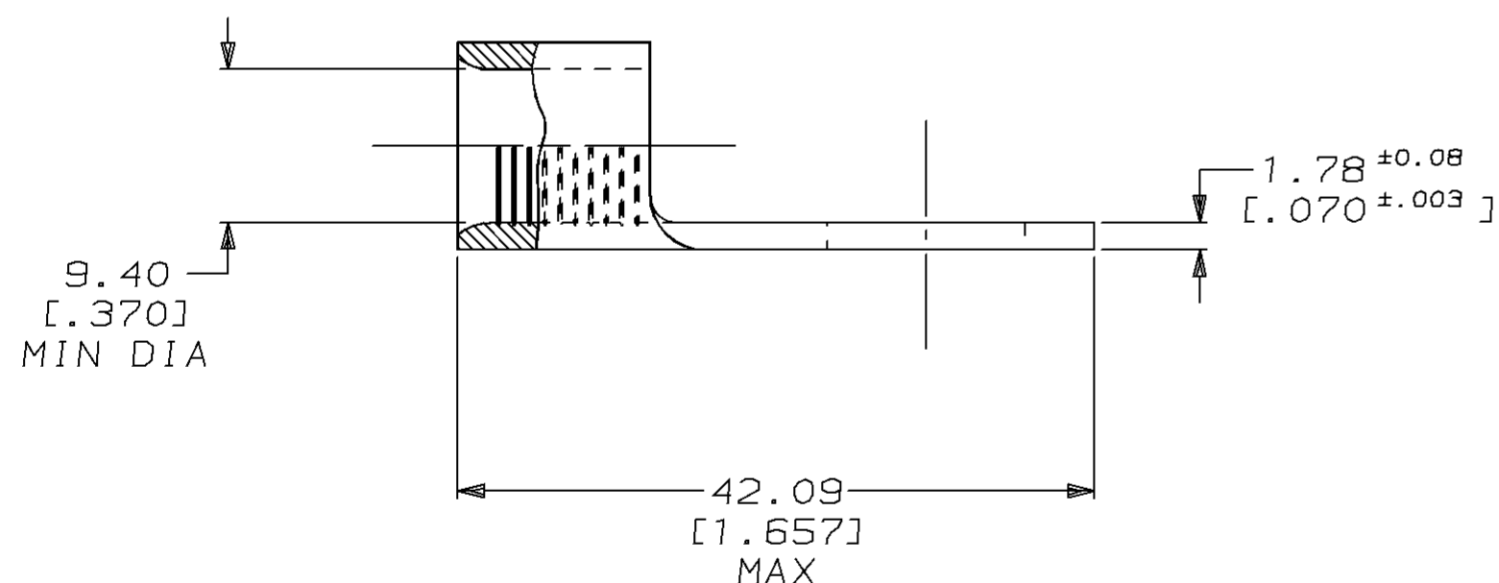
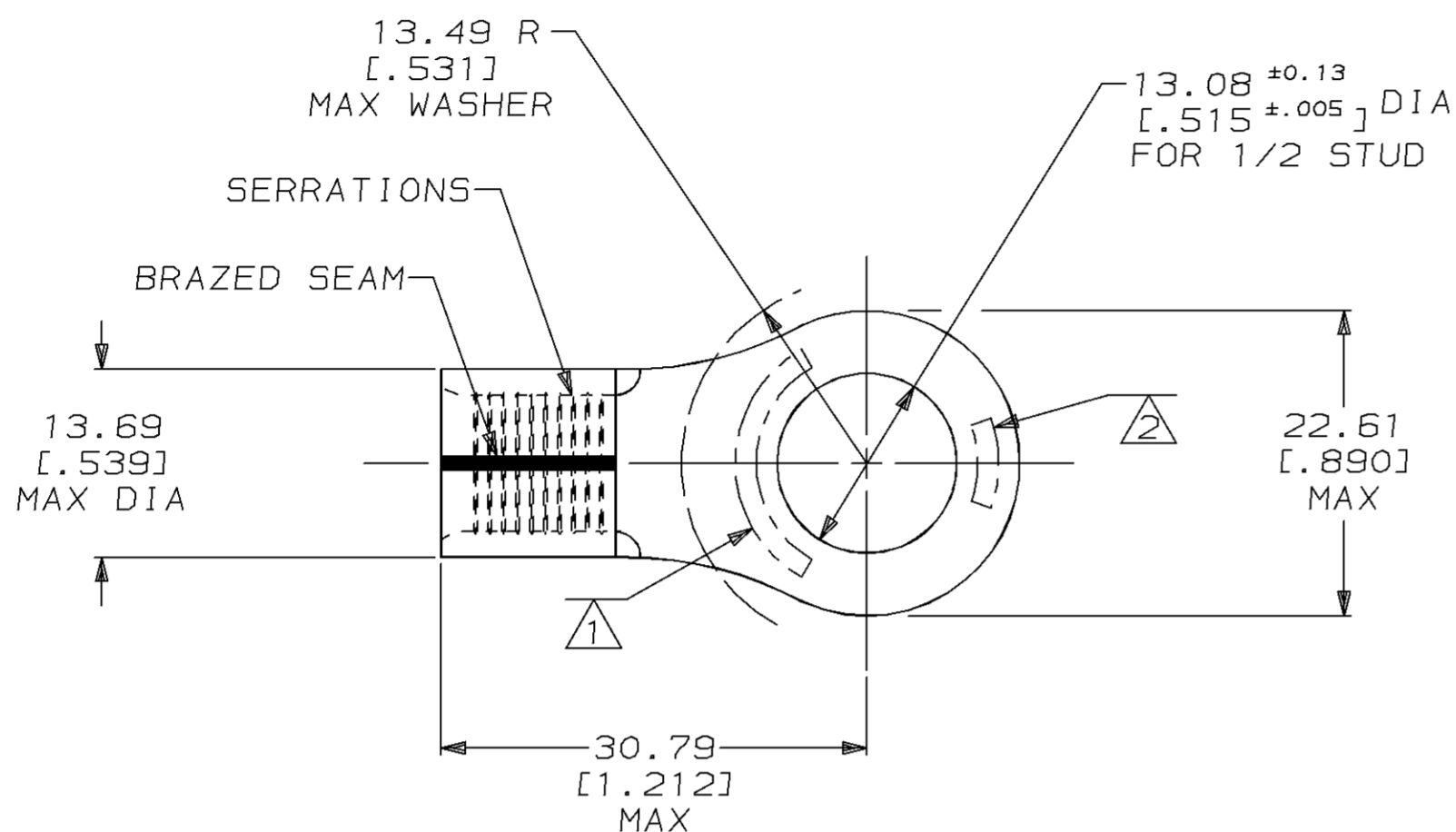
[Email or Chat With Us](#)  
[Find a Phone Number](#)  
[Knowledge Base](#)

THIS DRAWING IS UNPUBLISHED. RELEASED FOR PUBLICATION, 19 .  
 © COPYRIGHT 19 BY AMP INCORPORATED. ALL INTERNATIONAL RIGHTS RESERVED.

AMP PART NUMBER	PACKAGE TYPE	QTY
8-35185-3	LOOSE PIECE, BOX	25
8-35185-5	LOOSE PIECE, BAG	10

LOC	DIST	P	F	ZONE	LTR	DESCRIPTION	DATE	APPD
G	14				F	REVISED PER OL20-0045-97	24MAR97	OKS CHK

<b>AMP</b> WIRE RANGE	<b>UL</b> E13288 Listed
2 AWG SOLID OR STRANDED	2 AWG STRANDED
<b>SR</b> LR7189 Certified	MILITARY P/N AND CLASS
2 AWG SOLID OR STRANDED	NOT APPLICABLE



- ① STAMP AMP 2W\* APPROX AS SHOWN
- ② STAMP 60-75 APPROX AS SHOWN
- ③ SEE RESTRICTED CUSTOMER DRAWING 2-35185-3

AMP INCORPORATED CUSTOMER SERVICE SYSTEMS		MAX RECOMMENDED OPERATING TEMPERATURE: 170°C MAX	DO NOT SCALE PRINT. UNLESS SPECIFIED DIMENSIONS IN mm [INCHES] TOLERANCES ON: 2 PLC DEC ± 0.20 [.008] 3 PLC DEC ± - ANGLES ± -	DR 5/18/93 DK SCHRUM CHK 1/27/94 RD HEIM APPD 1/27/94 RE ROSER APPD 1/27/94 JL MECKLEY PRODUCT SPEC - APPLICATION SPEC - WEIGHT -	FINISH TIN PLATE 0.00254 [.000100] MIN THK PER MIL-T-10727	<table border="1"> <tr> <td>-</td> <td>2-35185-3</td> </tr> <tr> <td>③</td> <td>35185</td> </tr> <tr> <td>FINISH</td> <td>PART NO</td> </tr> </table>	-	2-35185-3	③	35185	FINISH	PART NO
-	2-35185-3											
③	35185											
FINISH	PART NO											
FOR ADDITIONAL PRODUCT INFORMATION OR COPIES OF DRAWINGS AND TECHNICAL DOCUMENTS	PRODUCT INFORMATION CENTER 1-800-522-6752	VOLTAGE RATING: NOT APPLICABLE	MATERIAL COPPER ASTM B-152 ANNEALED	NAME <b>AMP</b> AMP Incorporated Harrisburg, PA 17105-3608								
FOR APPLICATION TOOLING INFORMATION	TOOLING ASSISTANCE CENTER 1-800-722-1111	CIRCULAR MIL AREA: 26.7-42.4mm² [52,600-83,700] CIR MILS SOLID OR STRANDED	TERMINAL, RING TONGUE, SOLISTRAND™		SIZE C 00779							
FOR ORDER ENTRY	1-800-526-5142	THIS DRAWING IS A CONTROLLED DOCUMENT FOR AMP INCORPORATED. IT IS SUBJECT TO CHANGE AND THE CONTROLLING ENGINEERING ORGANIZATION SHOULD BE CONTACTED FOR THE LATEST REVISION.	DRAWING NO C-35185		DRAWING NO C-35185							
				SCALE 2:1	SHEET 1 OF 1							