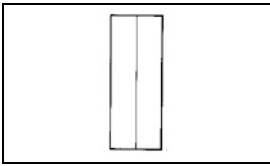


35187 Product Details

[Share](#) [Print](#) [Email](#)



35187

TE Internal Number: 35187

 Active

 [View 3D PDF](#)

Splices - Closed Barrel

 Always EU RoHS/ELV Compliant (Statement of Compliance)

Product Highlights:

- Splice
- Not Sealed
- Splice Type = Parallel
- Body Style = SOLISTRAND
- Uninsulated

[View all Features](#)

Quick Links

- ▶ [Pricing & Availability](#)
- ▶ [Search for Tooling](#)
- ▶ [Product Feature Selector](#)
- ▶ [Contact Us About This Product](#)

[Add to My Part List](#) [Request Sample](#) [Find Similar Products](#) [Buy Product](#)

Documentation & Additional Information

Product Drawings:

- [SPLICE, PARALLEL, SOLISTRAND](#) (PDF, English)

Catalog Pages/Data Sheets:

- None Available

Product Specifications:

- None Available

Application Specifications:

- None Available

Instruction Sheets:

- None Available

CAD Files: [\(CAD Format & Compression Information\)](#)

- [2D Drawing](#) (DXF, Version U)
- [3D Model](#) (IGES, Version U)
- [3D Model](#) (STEP, Version U)

[List all Documents](#)

Related Products:

- [Tooling](#)

Product Features (Please use the Product Drawing for all design activity)

Product Type Features:

- [Product Type](#) = Splice
- [Sealed](#) = No
- [Splice Type](#) = Parallel
- [Insulation](#) = No
- [Insulation Support](#) = Non-Insulation Support
- [Finish](#) = Tin
- [Color](#) = None

Termination Features:

- [Wire/Cable Size \(CMA\)](#) = 52,600 – 83,700

Dimensions:

- [Inside Diameter \(mm \[in\]\)](#) = 9.39 [0.370]

Body Features:

- [Body Style](#) = SOLISTRAND
- [Wire Range \(mm \[AWG\]\)](#) = 34.00-35.00² [2]
- [Material](#) = Copper
- [Stock Thickness \(mm \[in\]\)](#) = 1.85 [0.073]
- [Nominal Outside Diameter \(mm \[in\]\)](#) = 13.70 [0.539]

Industry Standards:

- [Government/Industry Qualification](#) = No
- [RoHS/ELV Compliance](#) = RoHS compliant, ELV compliant
- [Lead Free Solder Processes](#) = Not relevant for lead free process
- [RoHS/ELV Compliance History](#) = Always was RoHS compliant

Packaging Features:

- [Packaging Method](#) = Loose Piece

Other:

- [Brand](#) = AMP

Corporate Information

[About TE](#)
[Investors](#)
[News Room](#)
[Supplier Portal](#)

Quick Links

[Distributor Inventory](#)
[Product Cross Reference](#)
[Documents & Drawings](#)
[Product Compliance Support Center](#)

Customer Support

[Email or Chat With Us](#)
[Find a Phone Number](#)
[Knowledge Base](#)
[Manage Your Account](#)

THIS DRAWING IS UNPUBLISHED. RELEASED FOR PUBLICATION
 © COPYRIGHT - By - ALL RIGHTS RESERVED.

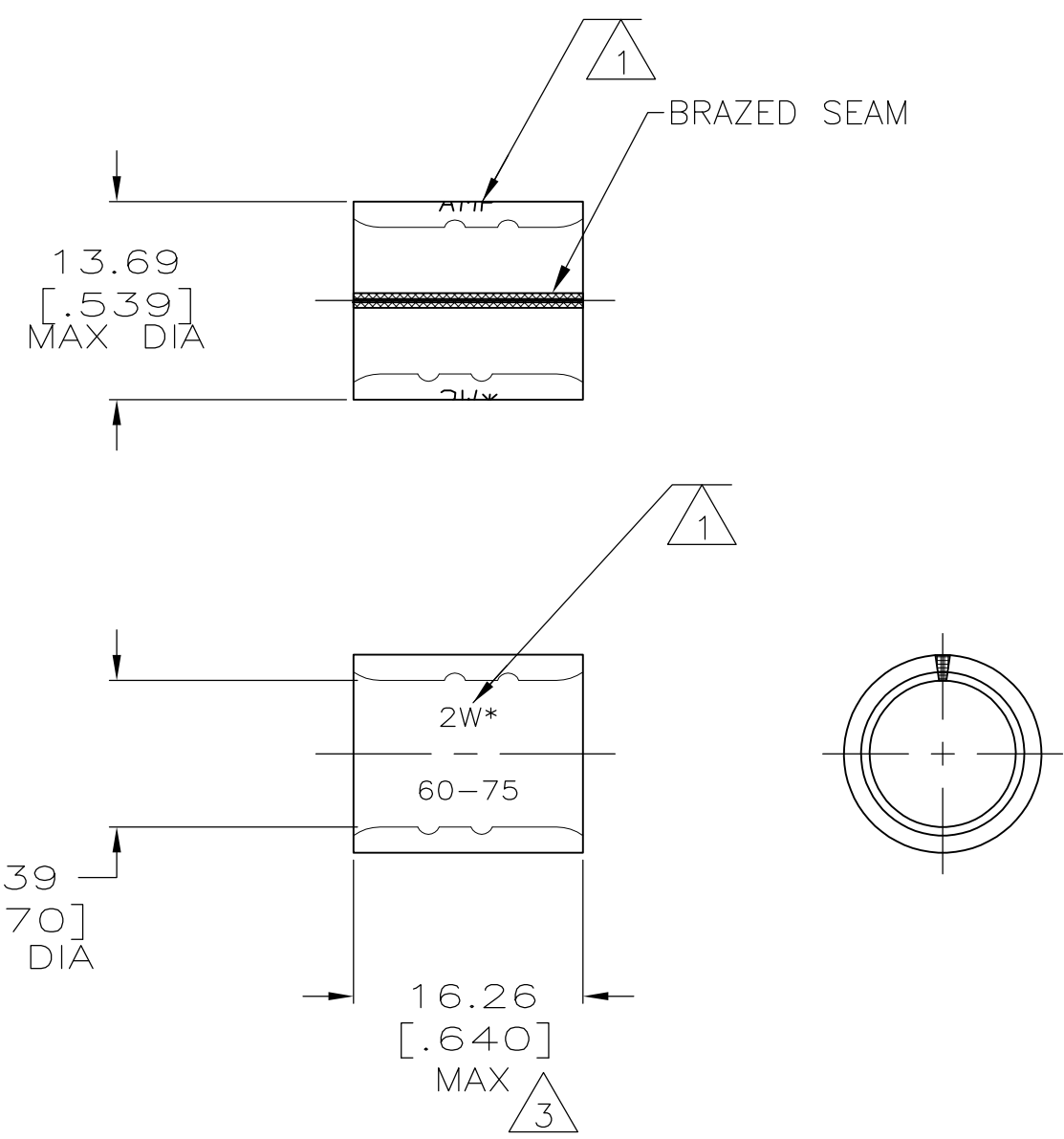
LOC	DIST	REVISIONS					
		P	LTR	DESCRIPTION	DATE	DWN	APVD
G	14		F4	REVISED PER ECO-12-006195	30MAR12	KH	DR

PART NUMBER	PACKAGE TYPE	QTY
8-35187-3	LOOSE PIECE, BOX	25
8-35187-5	LOOSE PIECE, BOX	500

AMP
WIRE RANGE

2 AWG
SOLID OR STRANDED

- 1 STAMP AMP 2W* 60-75 APPROX AS SHOWN
- 2 MATERIAL THK: 1.78^{±0.08} [.070^{±.003}]
- 3 MAX LENGTH DOES NOT INCLUDE MANUFACTURING TABS.
- 4 TIN PLATE 0.00254 [.000100] MIN THK PER ASTM B545
- 5 TIN/LEAD (60/40) PLATE, 0.00254 [.000100] MIN THK PER SAE-AMS-P-81728
- 6 UL LISTED E13288, 2 AWG STRANDED
- 7 NOTE DELETED.
- 8 CSA CERTIFIED LR7189, 2 AWG SOLID OR STRANDED



6 8	4	8-35187-3
---	5	35187-1
6 8	4	35187
APPROVALS	FINISH	PART NO

AMP INCORPORATED CUSTOMER SERVICE SYSTEMS		MAX RECOMMENDED OPERATING TEMPERATURE: 170° C	THIS DRAWING IS A CONTROLLED DOCUMENT.		DWN DK SCHRUM 8/28/92	STE TE Connectivity				
FOR ADDITIONAL PRODUCT INFORMATION OR COPIES OF DRAWINGS AND TECHNICAL DOCUMENTS	PRODUCT INFORMATION CENTER 1-800-522-6752	VOLTAGE RATING: N/A	DIMENSIONS: INCHES	TOLERANCES UNLESS OTHERWISE SPECIFIED:	CHK DA PATTERSON 9/8/92				NAME SPLICE, PARALLEL, SOLISTRAND	
FOR APPLICATION TOOLING INFORMATION	TOOLING ASSISTANCE CENTER 1-800-722-1111	CIRCULAR MIL AREA: 26.7-42.4mm ² [52,600-83,700] SOLID OR STRANDED		0 PLC ± - 1 PLC ± - 2 PLC ± 0.20[.008] 3 PLC ± - 4 PLC ± - ANGLES ± -	APVD DA PATTERSON 9/8/92	PRODUCT SPEC	SIZE	CAGE CODE	DRAWING NO	RESTRICTED TO
FOR ORDER ENTRY	1-800-526-5142	THIS DRAWING IS A CONTROLLED DOCUMENT FOR AMP INCORPORATED. IT IS SUBJECT TO CHANGE AND THE CONTROLLING ENGINEERING ORGANIZATION SHOULD BE CONTACTED FOR THE LATEST REVISION.	MATERIAL COPPER ASTM B-152	FINISH SEE TABLE	---	APPLICATION SPEC	A3	00779	C-35187	---
					CUSTOMER DRAWING		SCALE	SHEET	REV	
							2:1	1 OF 1	F4	