

Distributed by:

JAMECO[®]
ELECTRONICS

www.Jameco.com ♦ 1-800-831-4242

The content and copyrights of the attached
material are the property of its owner.

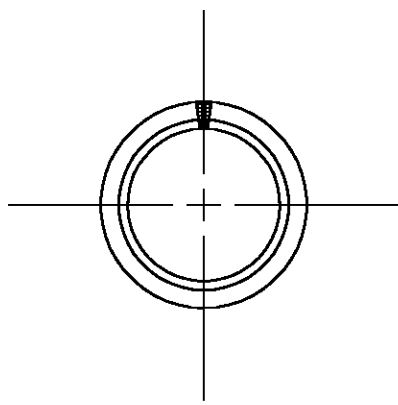
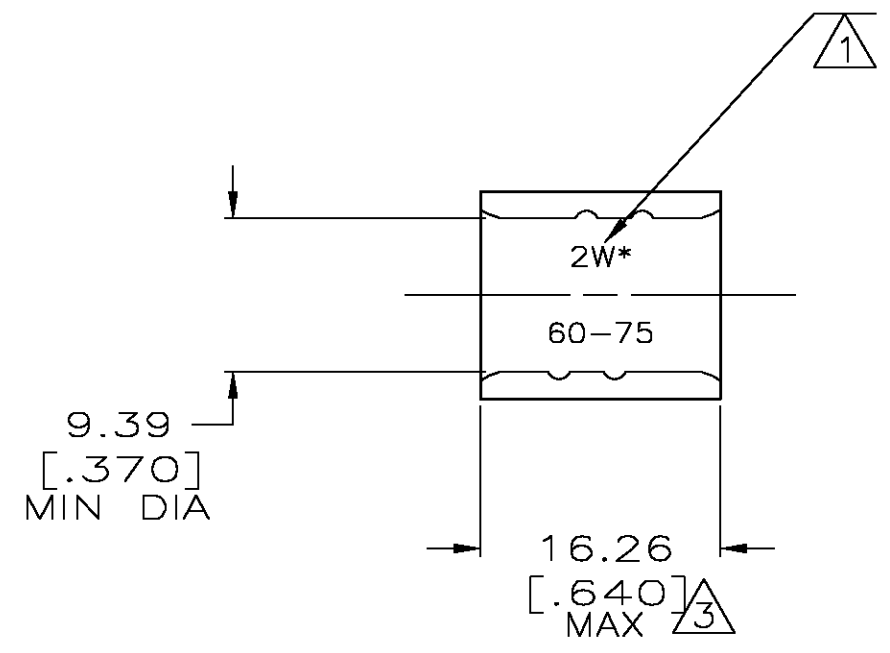
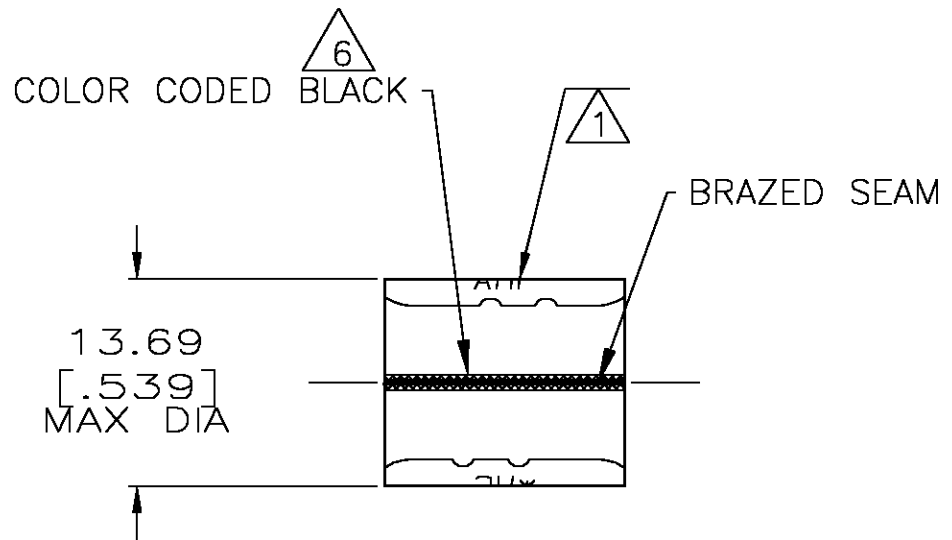
Jameco Part Number 847156

THIS DRAWING IS UNPUBLISHED. RELEASED FOR PUBLICATION
 © COPYRIGHT BY TYCO ELECTRONICS CORPORATION. ALL RIGHTS RESERVED.

LOC	DIST	REVISIONS					
		P	LTR	DESCRIPTION	DATE	DWN	APVD
G	14		F	REV PER 0G3A-0737-03	14NOV03	JR	MS

AMP PART NUMBER	PACKAGE TYPE	QTY
8-35187-3	LOOSE PIECE, BOX	25
8-35187-5	LOOSE PIECE, BOX	500

AMP WIRE RANGE	Listed FILE E13288	LR7189 Certified
2 AWG SOLID OR STRANDED	2 AWG STRANDED	2 AWG SOLID OR STRANDED



- ① STAMP AMP 2W* 60-75 APPROX AS SHOWN
- ② MATERIAL THK: 1.78 ±0.08 [.070 ±.003]
- ③ MAX LENGTH DOES NOT INCLUDE MANUFACTURING TABS.
- ④ TIN PLATE 0.00254 [.000100] MIN THK PER ASTM B545
- ⑤ TIN/LEAD (60/40) PLATE, 0.00254 [.000100] MIN THK PER MIL-P-81728
- ⑥ COLOR CODED BLACK OVER BRAZED SEAM TO DENOTE 60/40 TIN-LEAD PLATING
- ⑦ PRELIMINARY - NOT FOR PRODUCTION

⑤ ⑥	⑦	35187-1
④		35187
FINISH		PART NO

AMP INCORPORATED
CUSTOMER SERVICE SYSTEMS

FOR ADDITIONAL PRODUCT INFORMATION OR COPIES OF DRAWINGS AND TECHNICAL DOCUMENTS
 PRODUCT INFORMATION CENTER
 1-800-522-6752

FOR APPLICATION TOOLING INFORMATION
 TOOLING ASSISTANCE CENTER
 1-800-722-1111

FOR ORDER ENTRY
 1-800-526-5142

MAX RECOMMENDED OPERATING TEMPERATURE:
 170° C

VOLTAGE RATING:
 N/A

CIRCULAR MIL AREA:
 26.7-42.4mm² [52,600-83,700]
 SOLID OR STRANDED

THIS DRAWING IS A CONTROLLED DOCUMENT.

DIMENSIONS: INCHES

TOLERANCES UNLESS OTHERWISE SPECIFIED:

0 PLC	± -
1 PLC	± -
2 PLC	± 0.20 [.008]
3 PLC	± -
4 PLC	± -
ANGLES	± -

MATERIAL: COPPER ASTM B-152

FINISH: SEE TABLE

DWN: DK SCHRUM 8/28/92
 CHK: DA PATTERSON 9/8/92
 APVD: DA PATTERSON 9/8/92

tyco Electronics Tyco Electronics Corporation
 Harrisburg, PA 17105

NAME: SPLICE, PARALLEL, SOLISTRAND

SIZE: A3 CAGE CODE: 00779 DRAWING NO: C-35187 RESTRICTED TO: -

WEIGHT: -

CUSTOMER DRAWING SCALE: 2:1 SHEET: 1 OF 1 REV: F