

4

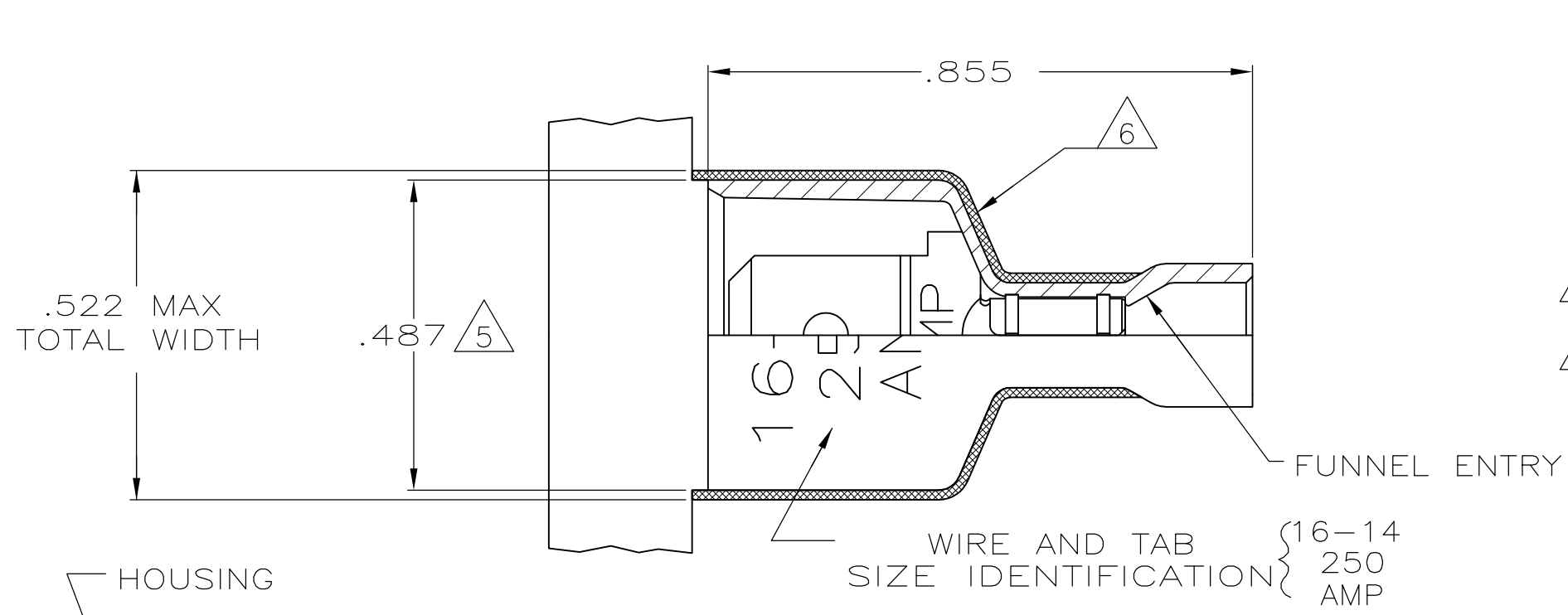
3

2

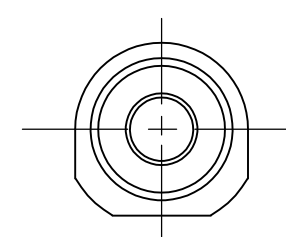
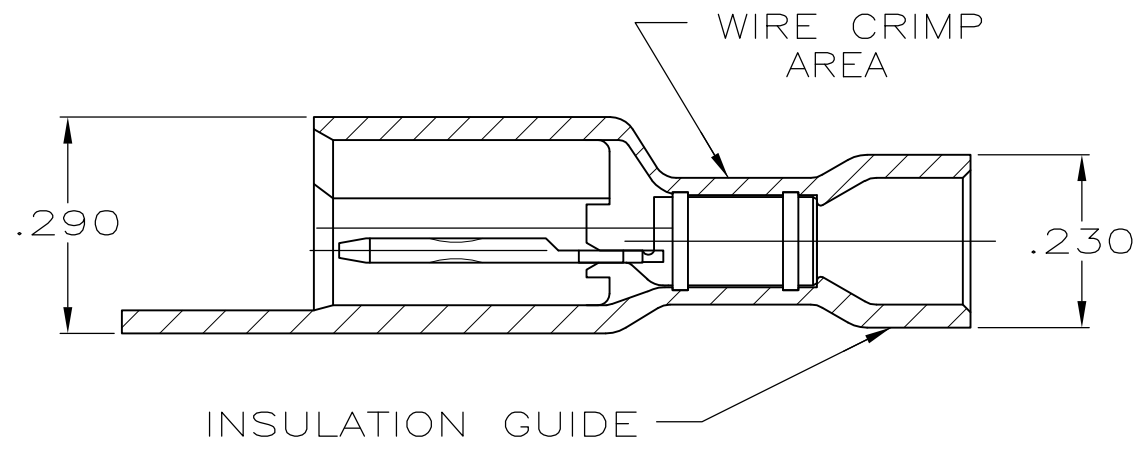
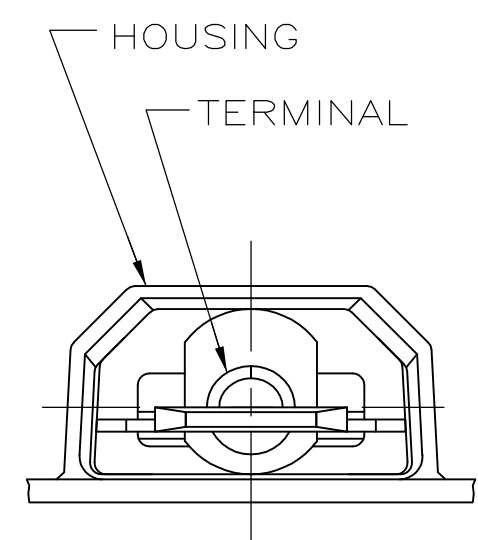
1

THIS DRAWING IS UNPUBLISHED. RELEASED FOR PUBLICATION  
 © COPYRIGHT - By - ALL RIGHTS RESERVED.

LOC	DIST	REVISIONS					
AF	50	P	LTR	DESCRIPTION	DATE	DWN	APVD
		M		REVISED PER ECR-13-004343	30JUL13	KH	KR



- 1 TAB DIMENSIONS  $.032^{+.001}_{-.002}$  x .250
- 2 WIRE STRIP LENGTH .281
- 3 INSULATION SIZE .160 MAX DIA
- 4 CONTINUOUS STRIP ON REELS
- △5 DIMENSION DOES NOT INCLUDE TRIM BURR
- △6 .015 MAX CARRIER TRIM BURR PER SIDE IS ALLOWABLE IN THE SHADED AREA



HOUSING: NYLON, COLOR-BLUE TRANSLUCENT TAB: BRASS, TIN	3-520106-2
MATERIAL & FINISH	PART NO

THIS DRAWING IS A CONTROLLED DOCUMENT.		DWN P FORTNEY 11/15/88	<b>STE</b> TE Connectivity	
DIMENSIONS: INCHES		CHK MS FEHER 11/30/88		
TOLERANCES UNLESS OTHERWISE SPECIFIED:		APVD KA RANDOLPH 12/14/88	NAME	
0 PLC ± -		PRODUCT SPEC	TAB ASSEMBLY, ULTRA-FAST, .250 SERIES, 16-14 AWG	
1 PLC ± -		108-2017	SIZE	
2 PLC ± -		APPLICATION SPEC	CAGE CODE	DRAWING NO
3 PLC ± .015		114-2123	A3	00779
4 PLC ± -		WEIGHT	C-520106	
ANGLES ± -		CUSTOMER DRAWING	RESTRICTED TO	
FINISH		SCALE	SHEET	REV
SEE TABLE		4:1	1 OF 1	M