

Distributed by:

JAMECO[®]
ELECTRONICS

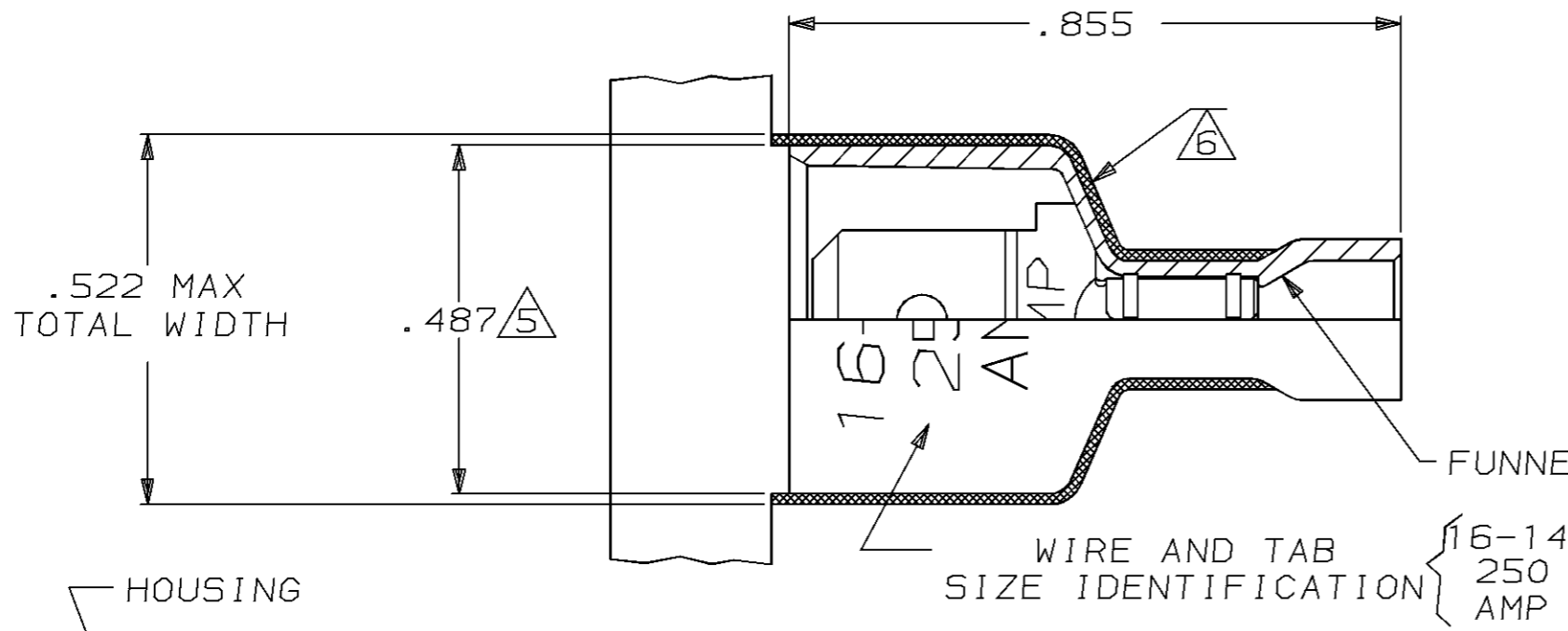
www.Jameco.com ♦ 1-800-831-4242

The content and copyrights of the attached
material are the property of its owner.

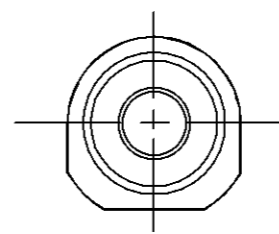
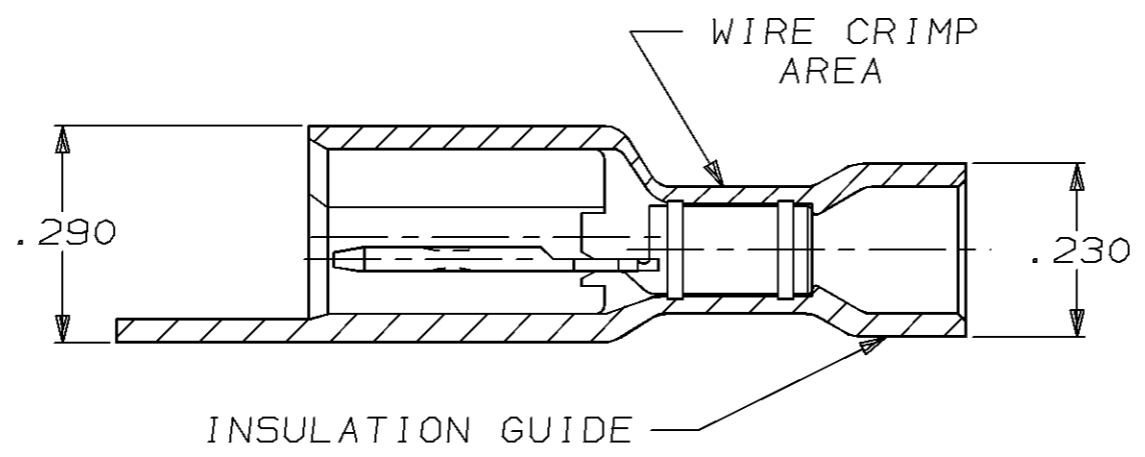
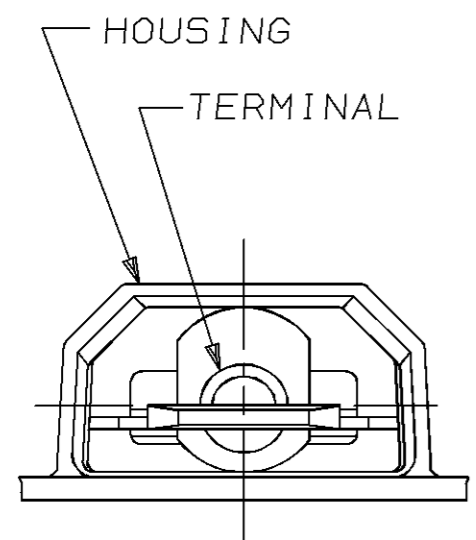
Jameco Part Number 524138

THIS DRAWING IS UNPUBLISHED. RELEASED FOR PUBLICATION, 19 .
 © COPYRIGHT 19 BY AMP INCORPORATED. ALL INTERNATIONAL RIGHTS RESERVED.

LOC	DIST	P	F	REVISIONS				
AF	50			ZONE	LTR	DESCRIPTION	DATE	APPD
					J	REV PER 0710-0057-95	2/16/95	JR/JW



- 1 TAB DIMENSIONS .032±.001×.250
- 2 WIRE STRIP LENGTH .281
- 3 INSULATION SIZE .160 MAX DIA
- 4 CONTINUOUS STRIP ON REELS
- △5 DIMENSION DOES NOT INCLUDE TRIM BURR
- △6 .015 MAX CARRIER TRIM BURR PER SIDE IS ALLOWABLE IN THE SHADED AREA



HOUSING: NYLON, COLOR-BLUE TRANSLUCENT		3-520106-2	
TAB: #3 HARD BRASS, TIN .000080 MIN		PART NO	
MATERIAL & FINISH		AMP INCORPORATED Harrisburg, Pa. 17105	
DO NOT SCALE PRINT. UNLESS SPECIFIED DIMENSIONS IN INCHES TOLERANCES ON: 2 PLC DEC ± - 3 PLC DEC ± .015 ANGLES ± -	DR 11/15/88 P FORTNEY	NAME TAB ASSEMBLY, ULTRA-FAST, .250 SERIES, 16-14 AWG	
	CHK 11/30/88 MS FEHER		
	APPD 12/14/88 KA RANDOLPH		
MATERIAL SEE TABLE	APPD 1/9/89 TL SHUTTER	SIZE B	FSCM NO 00779
FINISH SEE TABLE	PRODUCT SPEC 108-2017	DRAWING NO 520106	SCALE 4:1
	APPLICATION SPEC 114-2123	SHEET 1 OF 1	
	WEIGHT -		