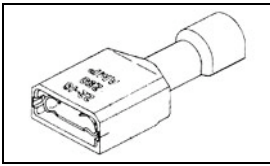


3-520150-2 Product Details

[Share](#) [Print](#) [Email](#)



3-520150-2

TE Internal Number: 3-520150-2
✔ Active

[View 3D PDF](#)

Ultra-Fast Receptacles & Tabs

✔ Always EU RoHS/ELV Compliant (Statement of Compliance)

Product Highlights:

- Terminal Type = Receptacle
- Proprietary Name = Ultra-Fast
- Receptacle Style = Straight
- Mating Area Interface Dimensions = 4.75 x 0.51 mm
- Brass Material

[View all Features](#)

Quick Links

- ▶ [Pricing & Availability](#)
- ▶ [Search for Tooling](#)
- ▶ [Product Feature Selector](#)
- ▶ [Contact Us About This Product](#)

[Add to My Part List](#) [Request Sample](#) [Find Similar Products](#) [Buy Product](#)

Documentation & Additional Information

Product Drawings:

- [RECEPTACLE ASSY,ULTRA-FAST, .187 SERIES,16-14 AWG \(PDF, English\)](#)

Catalog Pages/Data Sheets:

- [Ultra-Fast and Ultra Fast Plus \(PDF, English\)](#)

Product Specifications:

- [Ultra-Fast Fully Insulated FASTON Receptacle Terminals \(PDF, English\)](#)

Application Specifications:

- None Available

Instruction Sheets:

- None Available

CAD Files: [\(CAD Format & Compression Information\)](#)

- [2D Drawing \(DXF, Version M\)](#)
- [3D Model \(IGES, Version M\)](#)
- [3D Model \(STEP, Version M\)](#)

[List all Documents](#)

Additional Information:

- [Product Line Information](#)

Related Products:

- [Tooling](#)

Product Features (Please use the Product Drawing for all design activity)

Product Type Features:

- **Receptacle Style** = Straight
- **Insulation Support** = Non-Insulation Support
- **Finish** = Tin

Dimensions:

- **Mating Area Interface Dimensions (mm [in])** = 4.75 x 0.51 [.187 x .020]
- **Insulation Diameter (mm [in])** = 6.60 [.260] Max.

Body Features:

- **Material** = Brass
- **Wire Range (mm [AWG])** = 1.25-2.00² [16-14]
- **Fully Insulated** = Yes

Contact Features:

- **Terminal Type** = Receptacle

Industry Standards:

- **RoHS/ELV Compliance** = RoHS compliant, ELV compliant
- **Lead Free Solder Processes** = Not relevant for lead free process
- **RoHS/ELV Compliance History** = Always was RoHS compliant
- **UL Flammability Rating** = UL 94V-2

Packaging Features:

- **Packaging Method** = Strip

Other:

- **Proprietary Name** = Ultra-Fast
- **Brand** = AMP

Corporate Information

- [About TE](#)
- [Investors](#)
- [News Room](#)
- [Supplier Portal](#)
- [Careers](#)
- [Terms & Conditions](#)
- [Privacy Policy](#)

Quick Links

- [Distributor Inventory](#)
- [Product Cross Reference](#)
- [Documents & Drawings](#)
- [Product Compliance Support Center](#)
- [Site Map](#)

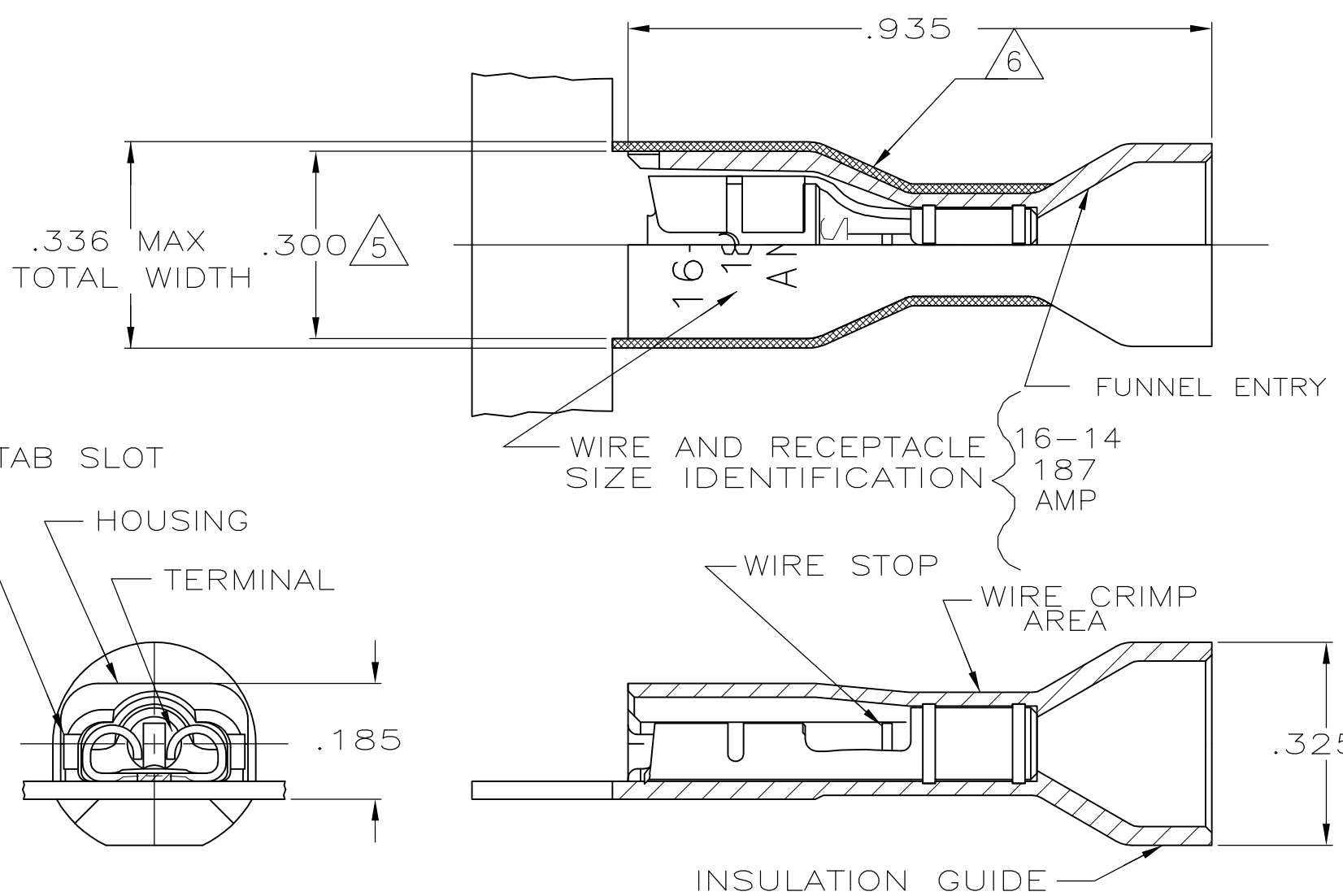
Customer Support

- [Email or Chat With Us](#)
- [Find a Phone Number](#)
- [Knowledge Base](#)
- [Manage Your Account](#)

Keep Me Informed

THIS DRAWING IS UNPUBLISHED. RELEASED FOR PUBLICATION
 © COPYRIGHT - By - ALL RIGHTS RESERVED.

LOC	DIST	REVISIONS			
P	LTR	DESCRIPTION	DATE	DWN	APVD
AF	50	P	REVISED PER ECR-13-004343	30JUL13	KH KR



- 1 MATES WITH .020±.001x.187 TAB
- 2 WIRE STRIP LENGTH .281
- 3 INSULATION SIZE .260 MAX DIA
- 4 CONTINUOUS STRIP ON REELS
- 5 DIMENSION DOES NOT INCLUDE TRIM BURR
- 6 .015 MAX CARRIER TRIM BURR PER SIDE IS ALLOWABLE IN THE SHADED AREA
- 7 PRELIMINARY - NOT FOR PRODUCTION

STANDARD	HOUSING:NYLON,COLOR-GRAY TRANSLUCENT RECEPTACLE:BRASS TIN	7 6-520150-2
BULK	HOUSING:NYLON,COLOR-BLUE TRANSLUCENT RECEPTACLE:BRASS	5-520150-2
STANDARD	TIN	3-520150-2
PACKAGING	MATERIAL & FINISH	PART NO

THIS DRAWING IS A CONTROLLED DOCUMENT.		DWN P FORTNEY 9/28/88	STE TE Connectivity	
DIMENSIONS: INCHES		CHK MS FEHER 9/28/88		
TOLERANCES UNLESS OTHERWISE SPECIFIED:		APVD K RANDOLPH 9/28/88	NAME RECEPTACLE ASSY,ULTRA-FAST, .187 SERIES,16-14 AWG	
0 PLC ± -		PRODUCT SPEC 108-2043	SIZE	
1 PLC ± -		APPLICATION SPEC 114-2123	CAGE CODE A300779	DRAWING NO C-520150
2 PLC ± -		WEIGHT -	RESTRICTED TO -	
3 PLC ± .015		CUSTOMER DRAWING		
4 PLC ± -		SCALE 4:1		
ANGLES ± -		SHEET 1 OF 1		
FINISH		REV P		
SEE TABLE				