

Distributed by:

JAMECO[®]
ELECTRONICS

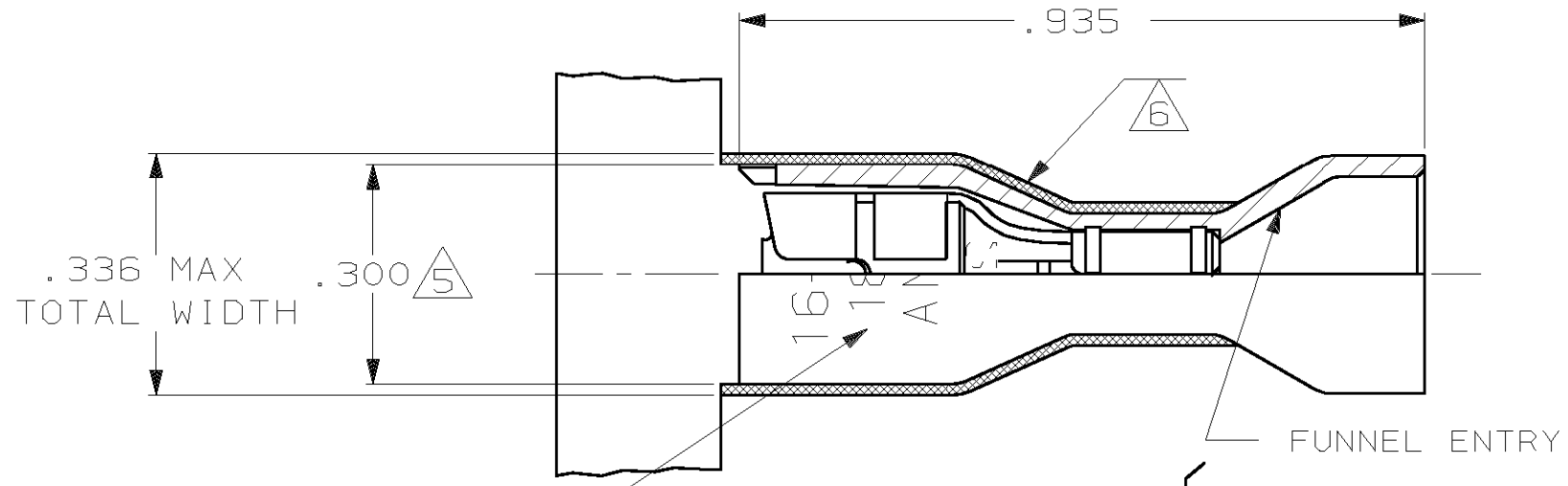
www.Jameco.com ♦ 1-800-831-4242

The content and copyrights of the attached
material are the property of its owner.

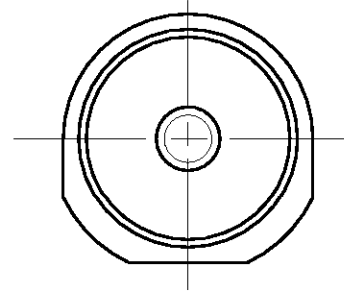
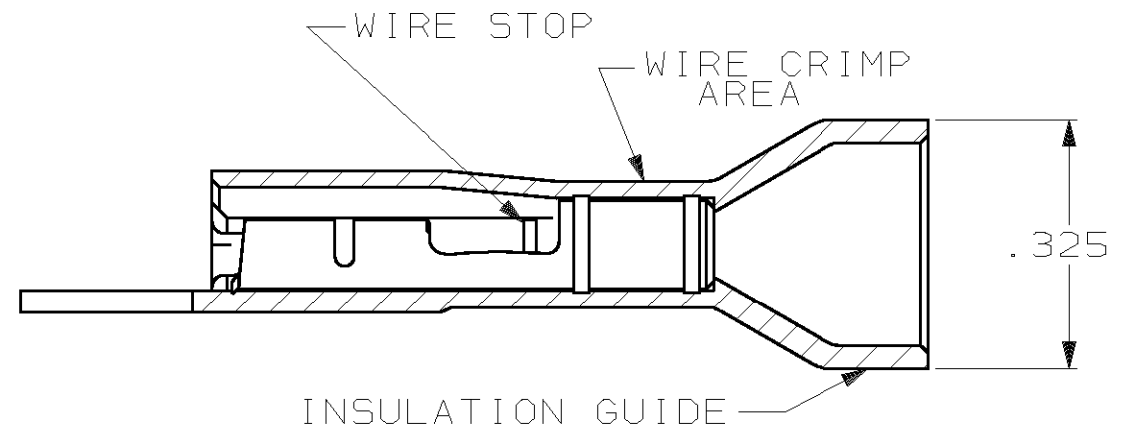
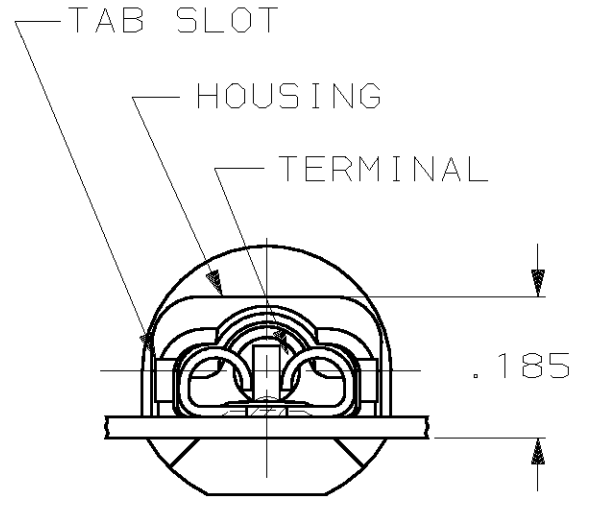
Jameco Part Number 921993

THIS DRAWING IS UNPUBLISHED. RELEASED FOR PUBLICATION .19
 © COPYRIGHT 19 BY AMP INCORPORATED. ALL INTERNATIONAL RIGHTS RESERVED.

| | | | | | | | | |
|-----|------|---|---|-----------|-----|----------------------------|---------|-------|
| LOC | DIST | P | F | REVISIONS | | | DATE | APPD |
| AF | 50 | | | ZONE | LTR | DESCRIPTION | | |
| | | | | | M | ADDED 6-2 PER 0G3A-0391-00 | 28JUL00 | JR/JH |



- 1 MATES WITH .020±.001x.187 TAB
- 2 WIRE STRIP LENGTH .281
- 3 INSULATION SIZE .260 MAX DIA
- 4 CONTINUOUS STRIP ON REELS
- △5 DIMENSION DOES NOT INCLUDE TRIM BURR
- △6 .015 MAX CARRIER TRIM BURR PER SIDE IS ALLOWABLE IN THE SHADED AREA
- △7 PRELIMINARY - NOT FOR PRODUCTION



| | | |
|-----------|---|---------------|
| STANDARD | HOUSING: NYLON, COLOR-GRAY TRANSLUCENT RECEPTACLE: #3 HARD BRASS TIN PL .000080 MIN THK | △7 6-520150-2 |
| BULK | HOUSING: NYLON, COLOR-BLUE TRANSLUCENT RECEPTACLE: #3 HARD BRASS TIN PL .000080 MIN THK | 5-520150-2 |
| STANDARD | HOUSING: NYLON, COLOR-BLUE TRANSLUCENT RECEPTACLE: #3 HARD BRASS TIN PL .000080 MIN THK | 3-520150-2 |
| PACKAGING | MATERIAL & FINISH | PART NO |

| | | | | |
|---|------------------------------|---|--|------------------|
| DO NOT SCALE PRINT. UNLESS SPECIFIED DIMENSIONS IN INCHES TOLERANCES ON: 2 PLC DEC ± - 3 PLC DEC ± .015 ANGLES ± - | DR 9/28/88 P FORTNEY | AMP INCORPORATED Harrisburg, Pa. 17105 | | |
| | CHK 9/28/88 MS FEHER | | | |
| | MATERIAL SEE TABLE | APPD 9/28/88 K RANDOLPH | NAME RECEPTACLE ASSY, ULTRA-FAST, .187 SERIES, 16-14 AWG | |
| | FINISH SEE TABLE | APPD 9/28/88 C ATHERTON | SIZE B | FSCM NO 00779 |
| | PRODUCT SPEC 108-2043 | SCALE 4:1 | SHEET 1 OF 1 | |
| | APPLICATION SPEC 114-2123 | | | |
| | WEIGHT - | | | |