

Distributed by:

JAMECO[®]
ELECTRONICS

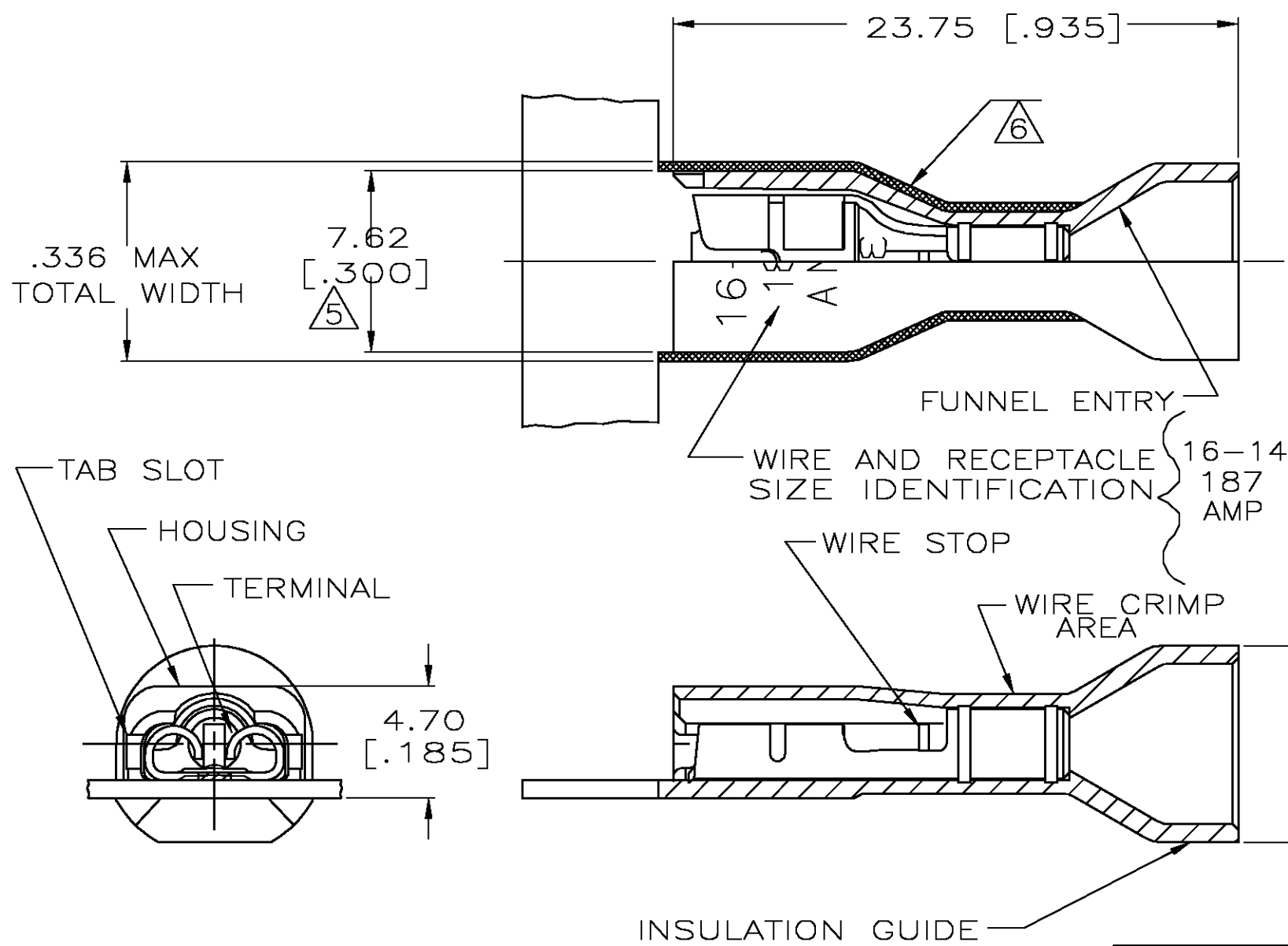
www.Jameco.com ♦ 1-800-831-4242

The content and copyrights of the attached
material are the property of its owner.

Jameco Part Number 922021

THIS DRAWING IS UNPUBLISHED. RELEASED FOR PUBLICATION
 © COPYRIGHT BY TYCO ELECTRONICS CORPORATION. ALL RIGHTS RESERVED.

LOC	DIST	REVISIONS					
		P	LTR	DESCRIPTION	DATE	DWN	APVD
AF	50		H	REV PER 0G3A-0284-04	15APR04	JR	EH



- 1 MATES WITH .032±.001x.187 TAB
- 2 WIRE STRIP LENGTH .281
- 3 INSULATION SIZE .260 MAX DIA
- 4 CONTINUOUS STRIP ON REELS
- △5 DIMENSION DOES NOT INCLUDE TRIM BURR
- △6 .015 MAX CARRIER TRIM BURR PER SIDE IS ALLOWABLE IN THE SHADED AREA

HOUSING: NYLON, COLOR-BLACK RECEPTACLE: #3 HARD BRASS TIN PL .000080 MIN THK	9-520276-2
HOUSING: NYLON, COLOR-BLUE TRANSLUCENT RECEPTACLE: #3 HARD BRASS TIN PL .000080 MIN THK	3-520276-2
MATERIAL & FINISH	PART NUMBER

THIS DRAWING IS A CONTROLLED DOCUMENT.		DWN JR RUTH 10/12/92	Tyco Electronics Corporation Harrisburg, PA 17105	
DIMENSIONS: INCHES		CHK MS FEHER 10/12/92		
TOLERANCES UNLESS OTHERWISE SPECIFIED:		APVD V KARACIEVSCHY 10/12/92	NAME RECEPTACLE, ASSY, ULTRA-FAST, .187 SERIES, 16-14 AWG	
0 PLC ± - 1 PLC ± - 2 PLC ± 0.38 [.015] 3 PLC ± - 4 PLC ± - ANGLES ± -		PRODUCT SPEC 108-2043	RESTRICTED TO	
MATERIAL SEE TABLE		FINISH SEE TABLE	APPLICATION SPEC 114-2123	SIZE A3
		WEIGHT -	CAGE CODE 00779	DRAWING NO C-520276
CUSTOMER DRAWING			SCALE 4:1	SHEET 1 OF 1
			REV H	