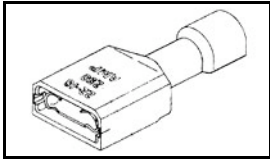


3-520402-2 Product Details

[Share](#) [Print](#) [Email](#)




3-520402-2

TE Internal Number: 3-520402-2

 Active

[View 3D PDF](#)

Ultra-Fast Receptacles & Tabs

 Always EU RoHS/ELV Compliant
(Statement of Compliance)

Product Highlights:

- Terminal Type = Receptacle
- Proprietary Name = Ultra-Fast Plus
- Receptacle Style = Straight
- Mating Area Interface Dimensions = 4.75 x 0.51 mm
- Brass Material

[View all Features](#)

Quick Links

- ▶ [Pricing & Availability](#)
- ▶ [Search for Tooling](#)
- ▶ [Product Feature Selector](#)
- ▶ [Contact Us About This Product](#)

[Add to My Part List](#) [Request Sample](#) [Find Similar Products](#)
[Buy Product](#)

Documentation & Additional Information

Product Drawings:

- [RECEPTACLE ASSY,ULTRA-FAST PLUS, .187 SERIES,16-14 AWG \(PDF, English\)](#)

Catalog Pages/Data Sheets:

- [Ultra-Fast and Ultra Fast Plus \(PDF, English\)](#)

Product Specifications:

- [Ultra-Fast Plus Fully Insulated FASTON Receptacle Te... \(PDF, English\)](#)

Application Specifications:

- None Available

Instruction Sheets:

- None Available

CAD Files: (CAD Format & Compression Information)

- [2D Drawing \(DXF, Version J\)](#)
- [3D Model \(IGES, Version J\)](#)
- [3D Model \(STEP, Version J\)](#)

[List all Documents](#)

Additional Information:

- [Product Line Information](#)

Related Products:

- [Tooling](#)

Product Features (Please use the Product Drawing for all design activity)

Product Type Features:

- [Receptacle Style](#) = Straight
- [Insulation Support](#) = Insulation Support
- [Finish](#) = Tin

Dimensions:

- [Mating Area Interface Dimensions \(mm \[in\]\)](#) = 4.75 x 0.51 [.187 x .020]
- [Insulation Diameter \(mm \[in\]\)](#) = 2.29-4.06 [.090-.160]

Body Features:

- [Material](#) = Brass
- [Wire Range \(mm \[AWG\]\)](#) = 1.25-2.00² [16-14]
- [Fully Insulated](#) = Yes

Contact Features:

- [Terminal Type](#) = Receptacle

Industry Standards:

- [RoHS/ELV Compliance](#) = RoHS compliant, ELV compliant
- [Lead Free Solder Processes](#) = Not relevant for lead free process
- [RoHS/ELV Compliance History](#) = Always was RoHS compliant
- [UL Flammability Rating](#) = UL 94V-2

Packaging Features:

- [Packaging Method](#) = Strip

Other:

- [Proprietary Name](#) = Ultra-Fast Plus

- Brand = AMP

Corporate Information

[About TE](#)
[Investors](#)
[News Room](#)
[Supplier Portal](#)
[Careers](#)
[Terms & Conditions](#)
[Privacy Policy](#)
[AODA Accessibility Policy](#)
[AODA Multi-Year Accessibility Plan](#)

Quick Links

[Distributor Inventory](#)
[Product Cross Reference](#)
[Documents & Drawings](#)
[Product Compliance Support Center](#)
[Site Map](#)

Customer Support

[Email or Chat With Us](#)
[Find a Phone Number](#)
[Knowledge Base](#)
[Manage Your Account](#)

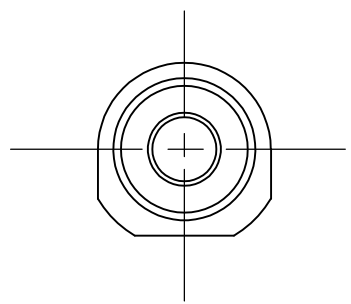
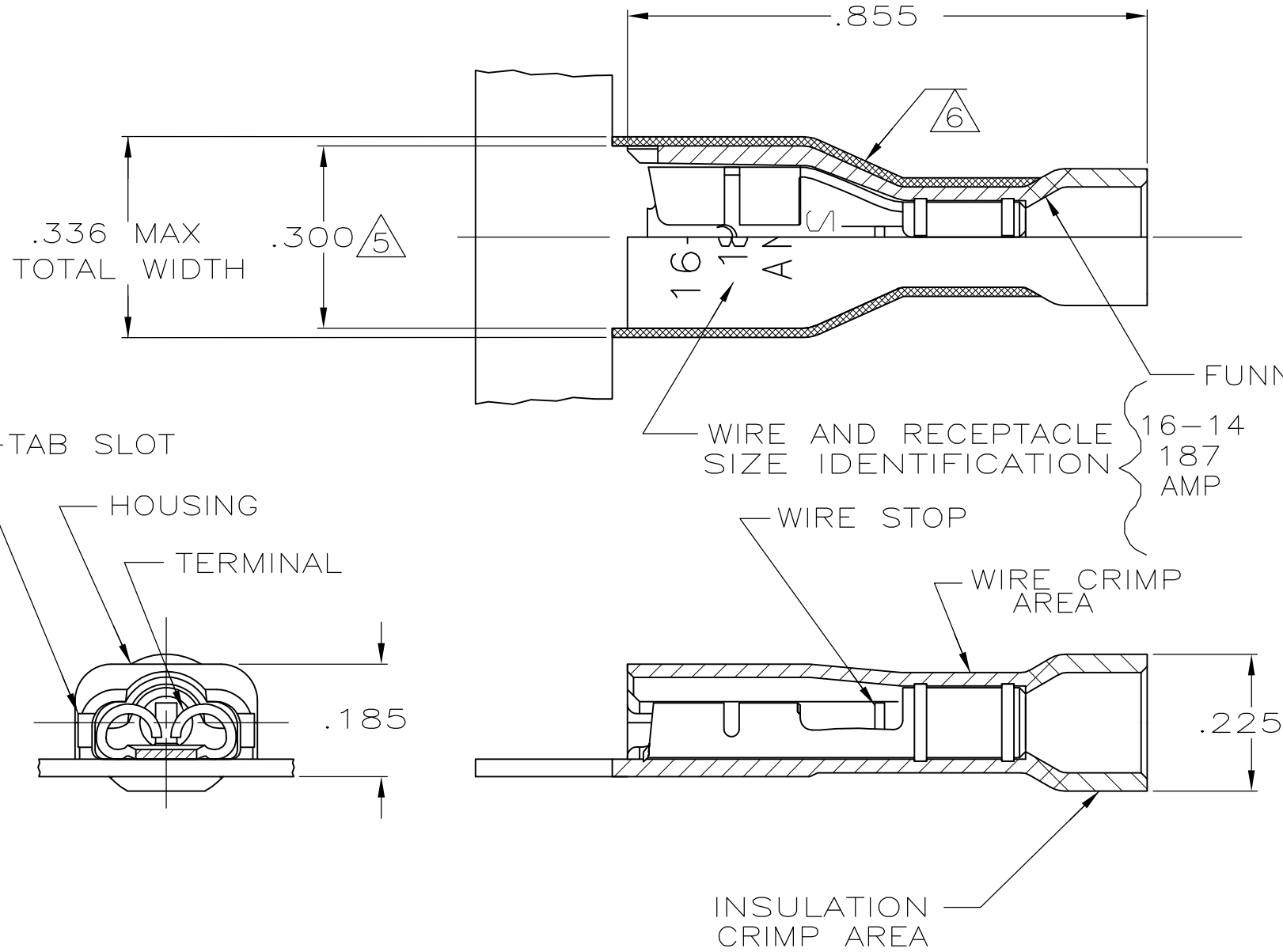
Keep Me Informed



THIS DRAWING IS UNPUBLISHED. RELEASED FOR PUBLICATION
 © COPYRIGHT - By - ALL RIGHTS RESERVED.

LOC	DIST	REVISIONS					
		P	LTR	DESCRIPTION	DATE	DWN	APVD
AF	50		L	REVISED PER ECR-13-004343	30JUL13	KH	KR

- 1 MATES WITH .020±.001x.187 TAB
- 2 WIRE STRIP LENGTH .281
- 3 INSULATION SIZE .090-.160 DIA
- 4 CONTINUOUS STRIP ON REELS
- △5 DIMENSION DOES NOT INCLUDE TRIM BURR
- △6 .015 MAX CARRIER TRIM BURR PER SIDE IS ALLOWABLE IN THE SHADED AREA



HOUSING: NYLON, COLOR-BLUE TRANSLUCENT RECEPTACLE: BRASS TIN	3-520402-2
MATERIAL & FINISH	PART NO

THIS DRAWING IS A CONTROLLED DOCUMENT.		DWN P FORTNEY 11/1/88	TE Connectivity RECEPTACLE ASSY, ULTRA-FAST PLUS, .187 SERIES, 16-14 AWG					
DIMENSIONS: INCHES		CHK MS FEHER 11/14/88						
TOLERANCES UNLESS OTHERWISE SPECIFIED:		APVD K RANDOLPH 11/14/88						
0 PLC ± - 1 PLC ± - 2 PLC ± - 3 PLC ± .015 4 PLC ± - ANGLES ± -		NAME						
MATERIAL SEE TABLE		FINISH SEE TABLE	PRODUCT SPEC 108-2044	SIZE	CAGE CODE	DRAWING NO	RESTRICTED TO	
			APPLICATION SPEC 114-2123	A3	00779	C-520402	-	
			WEIGHT -	CUSTOMER DRAWING		SCALE 4:1	SHEET 1 OF 1	REV L